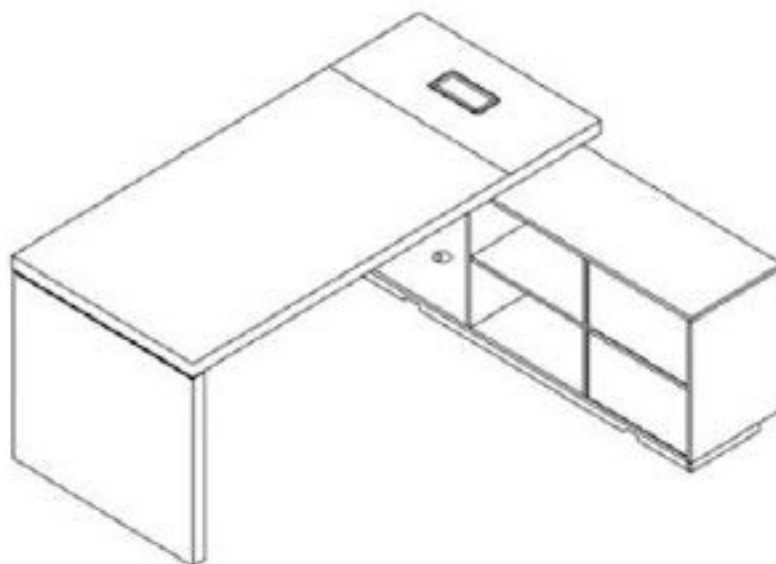
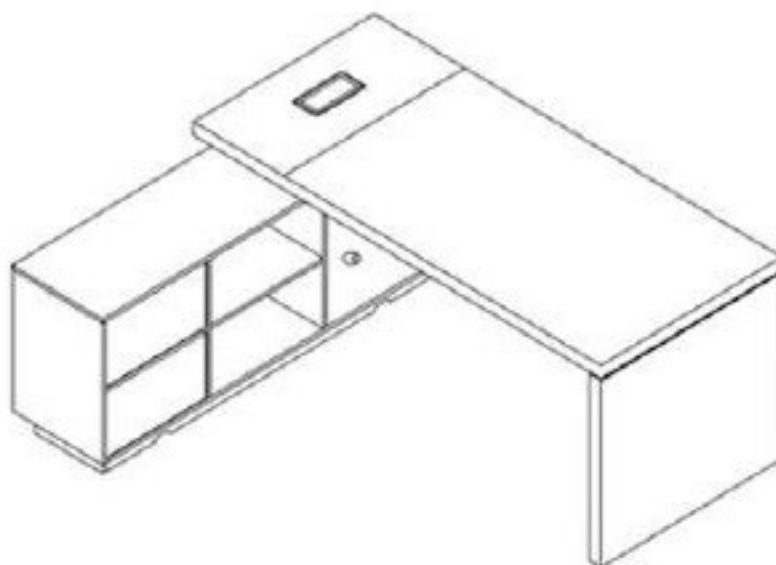


Hamilton Executive Desk | *Assembly Instructions*

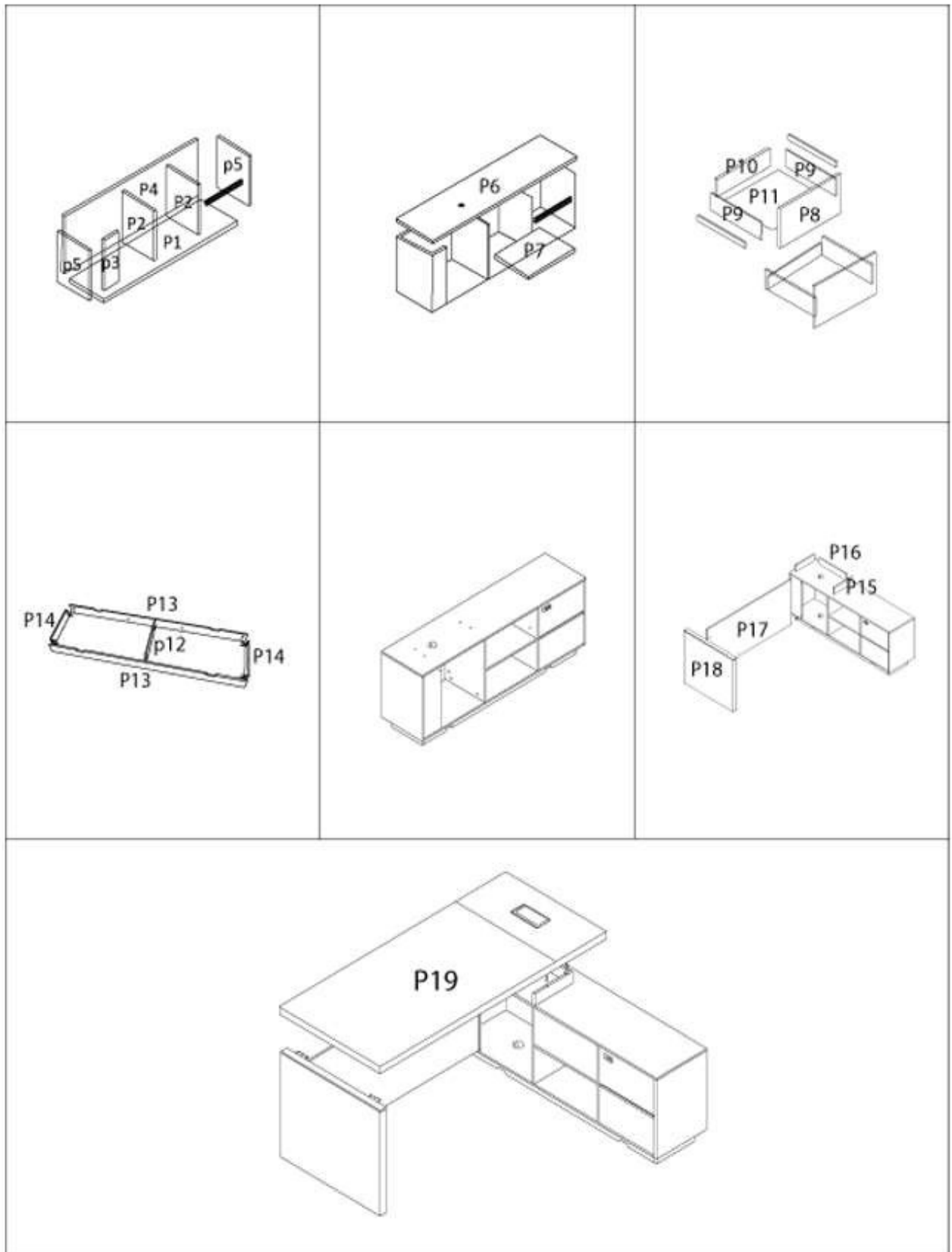
RIGHT RETURN









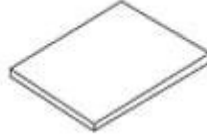
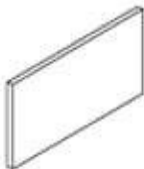

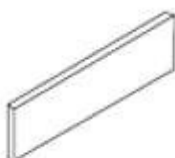








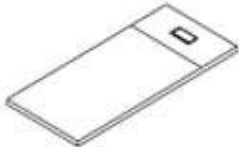
LEFT RETURN






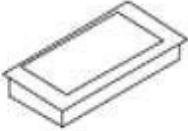



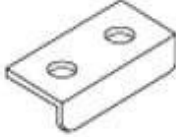
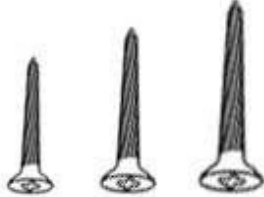


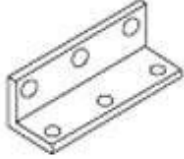
COMPONENTS



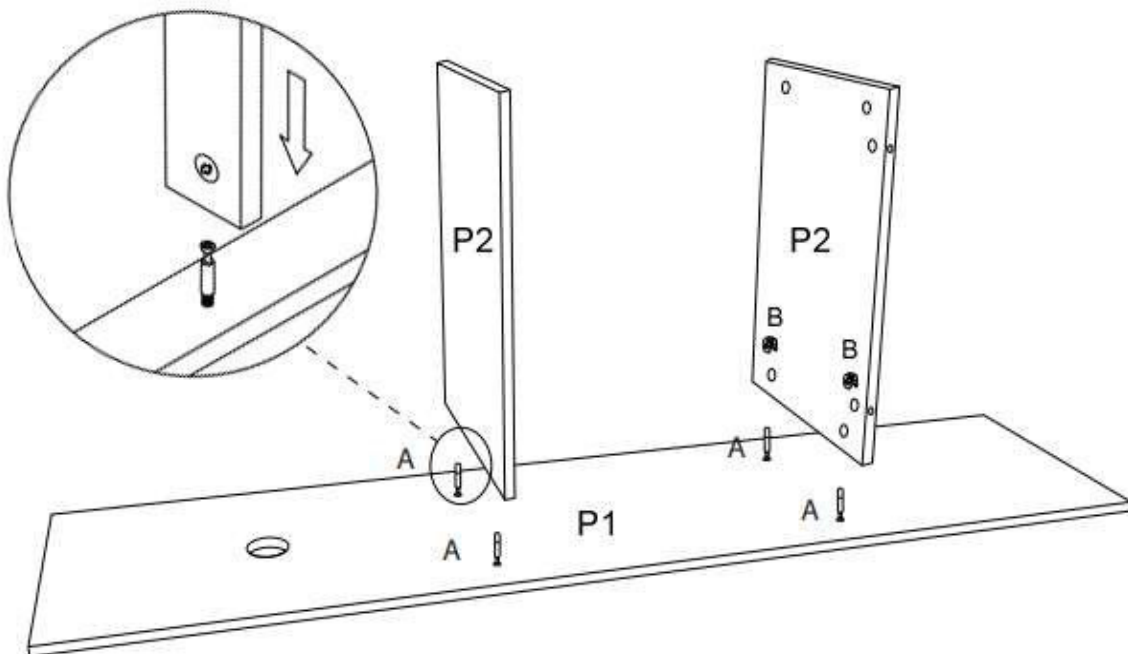
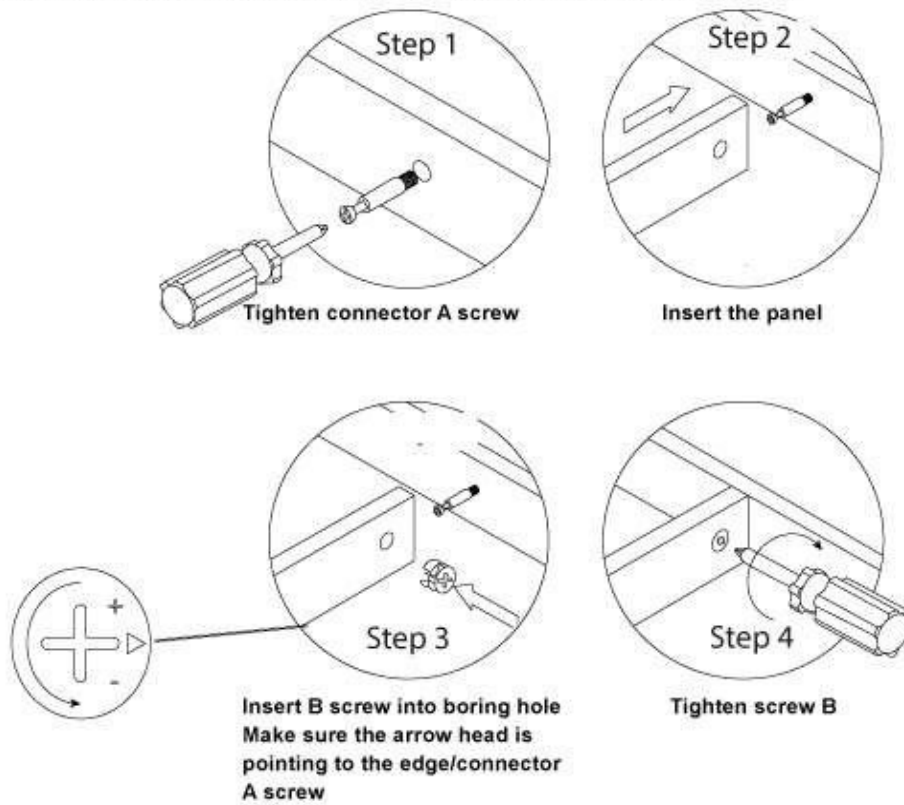
COMPONENTS

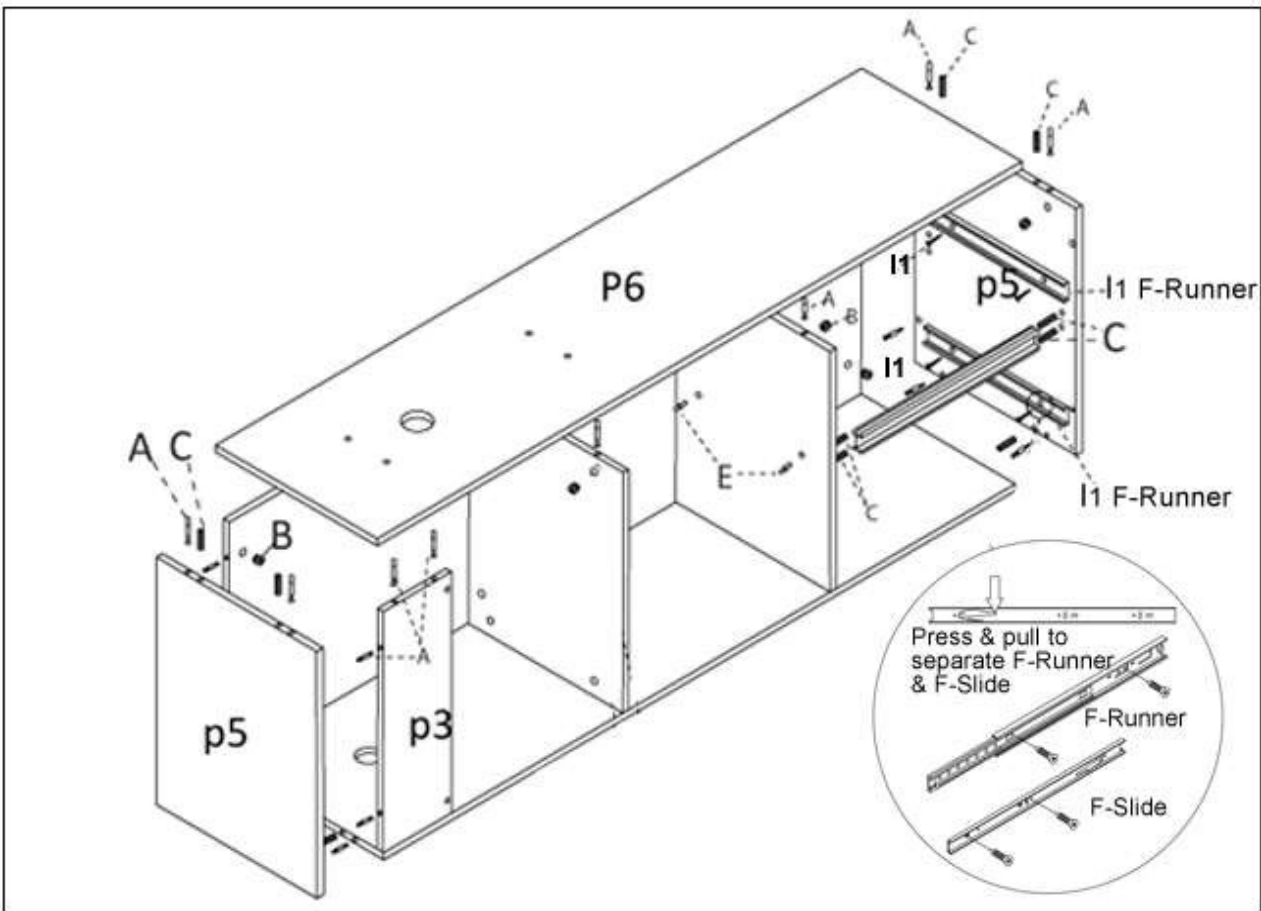
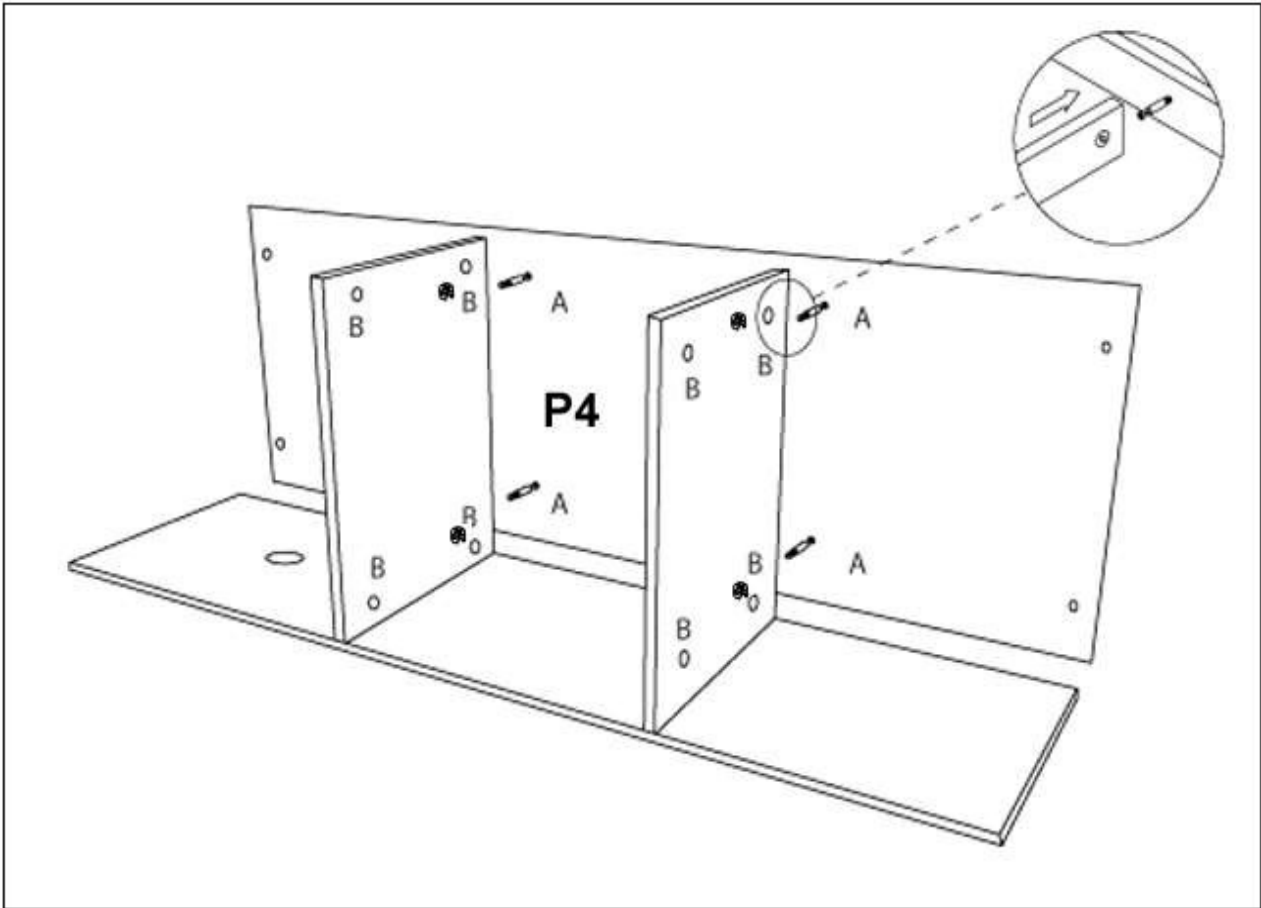
 <p>P1x1 1566*398*15</p>	 <p>Px2 510*382*15</p>	 <p>P3x1 510*160*15</p>	 <p>P4x1 1566*510*15</p>
 <p>P5x2 525*398*15</p>	 <p>P6x1 1600*400*15</p>	 <p>P7x1 499*380*15</p>	 <p>P8x2 440*243*15</p>
 <p>P9x4 350*118*15</p>	 <p>P10x2 388*103*15</p>	 <p>P11x2 355*397*5</p>	 <p>P12x1 270*80*15</p>
 <p>P13x2 1470*80*15</p>	 <p>P14x2 301*80*15</p>	 <p>P15x2 433*80*15</p>	 <p>P16x1 433*80*15</p>
 <p>P17x1 1547*3600*15</p>	 <p>P18x1 2000*894*50</p>	 <p>P19x1 2000*900*50</p>	

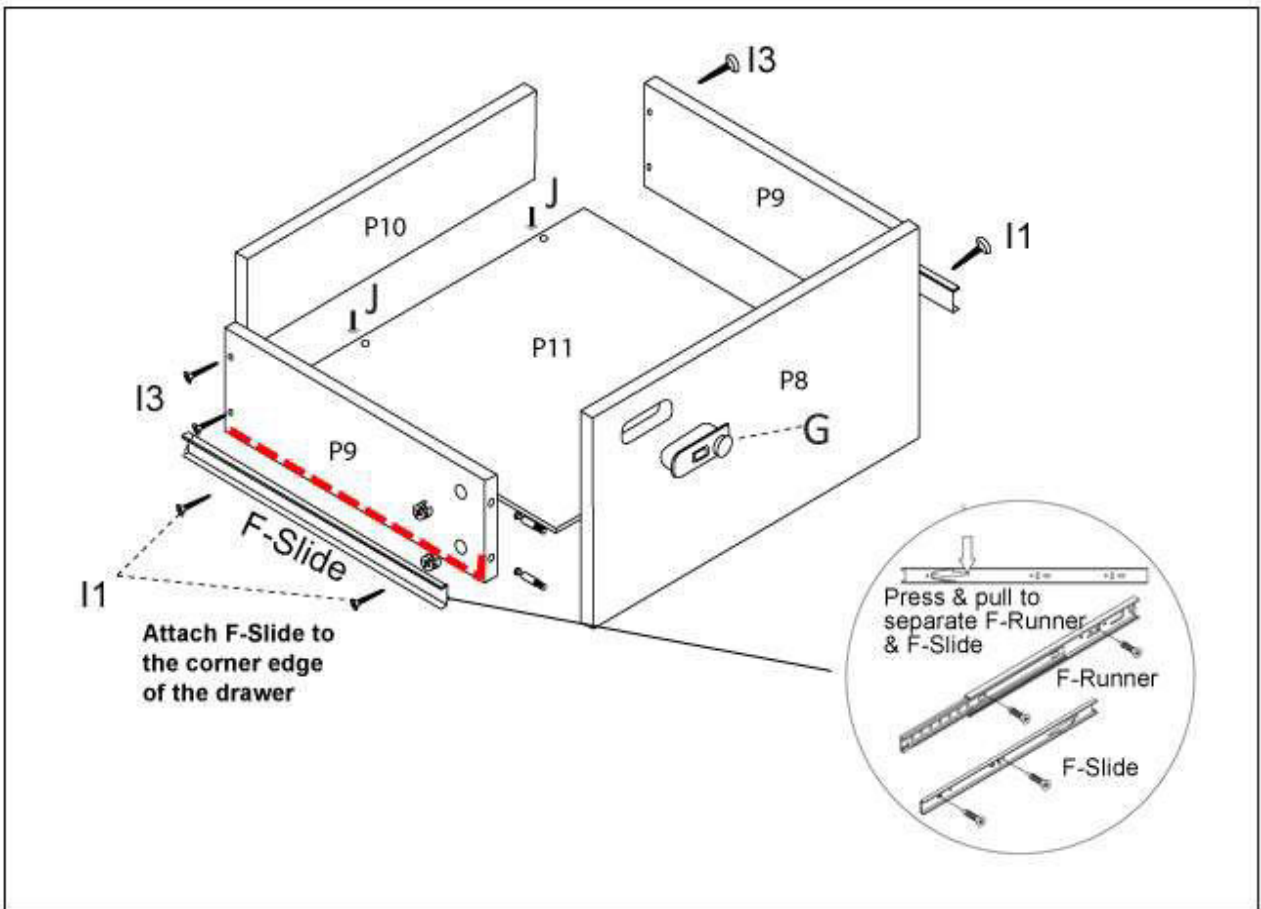
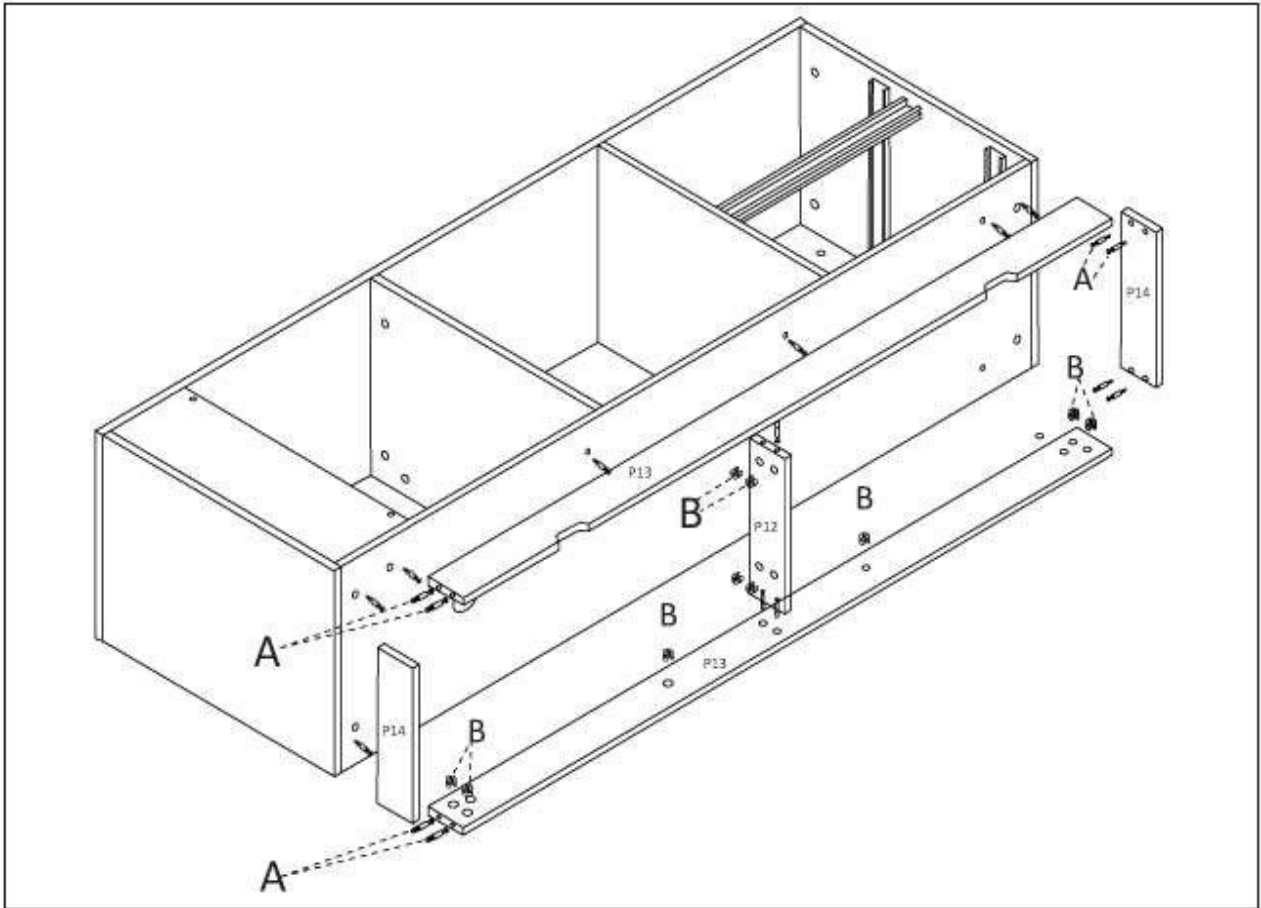
SCREWS

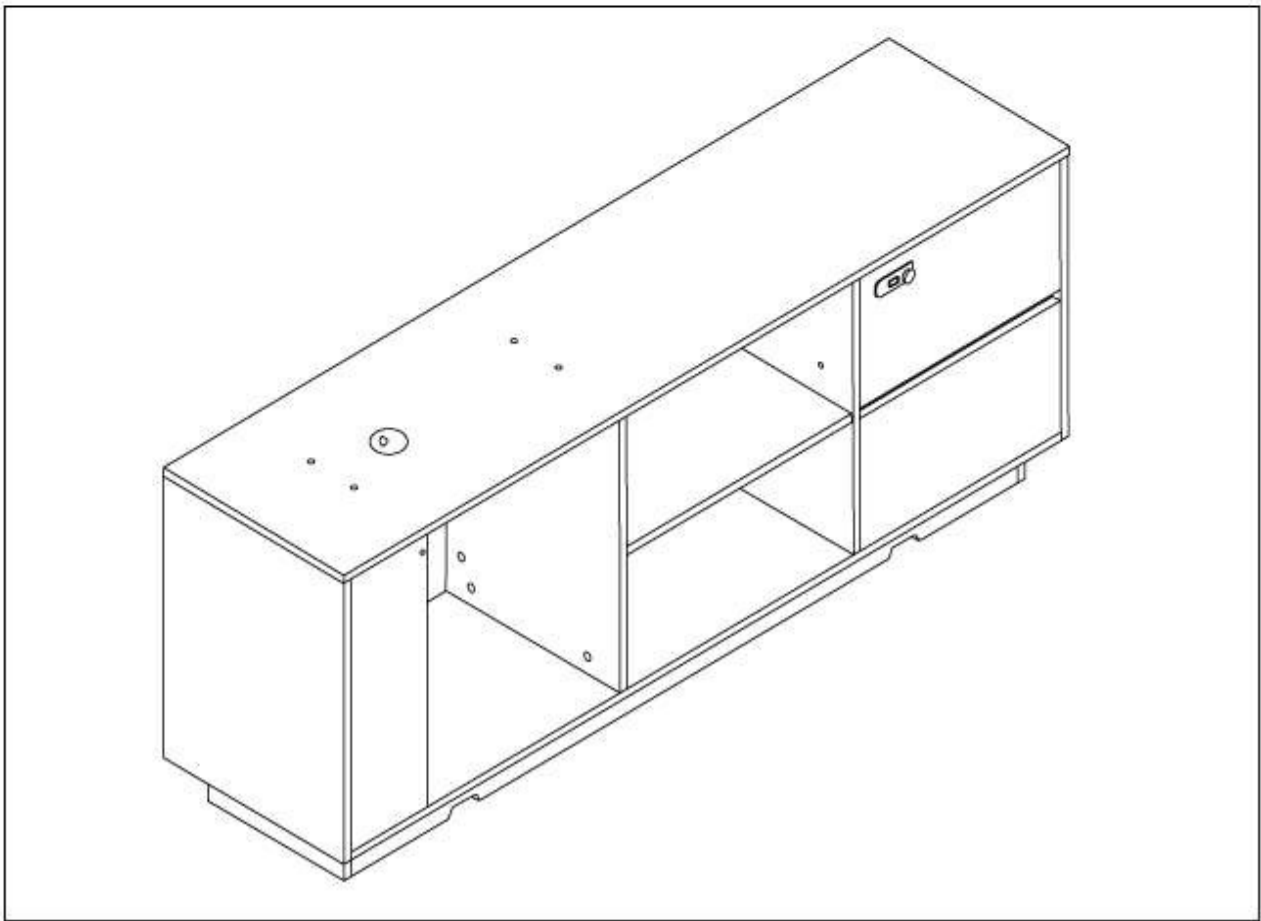
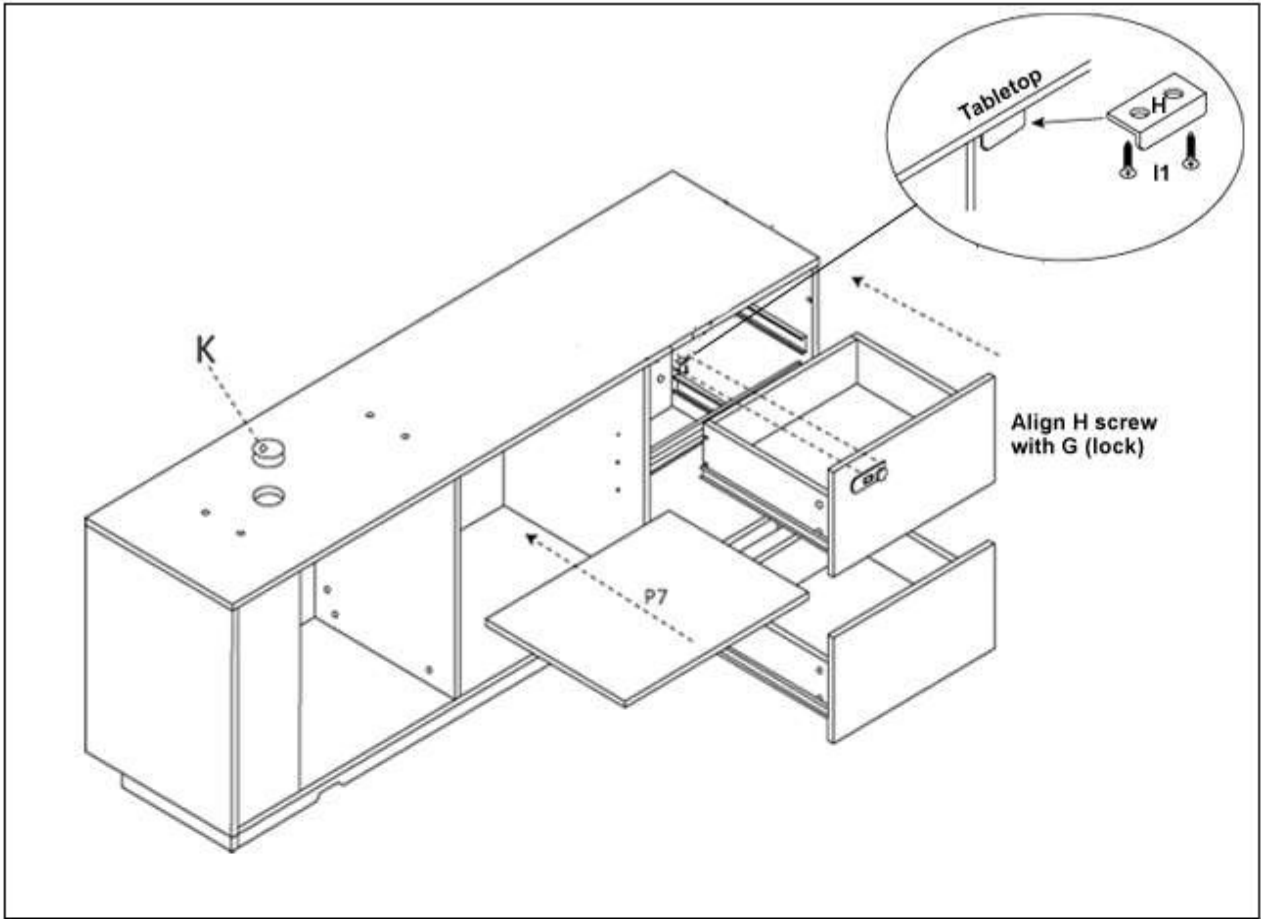
 <p>A</p>	 <p>B</p>	 <p>C</p>
 <p>D</p>	 <p>E</p>	 <p>F</p>
 <p>G</p>	 <p>H</p>	 <p>I1 I2 I3</p>
 <p>J</p>	 <p>K</p>	 <p>L</p>

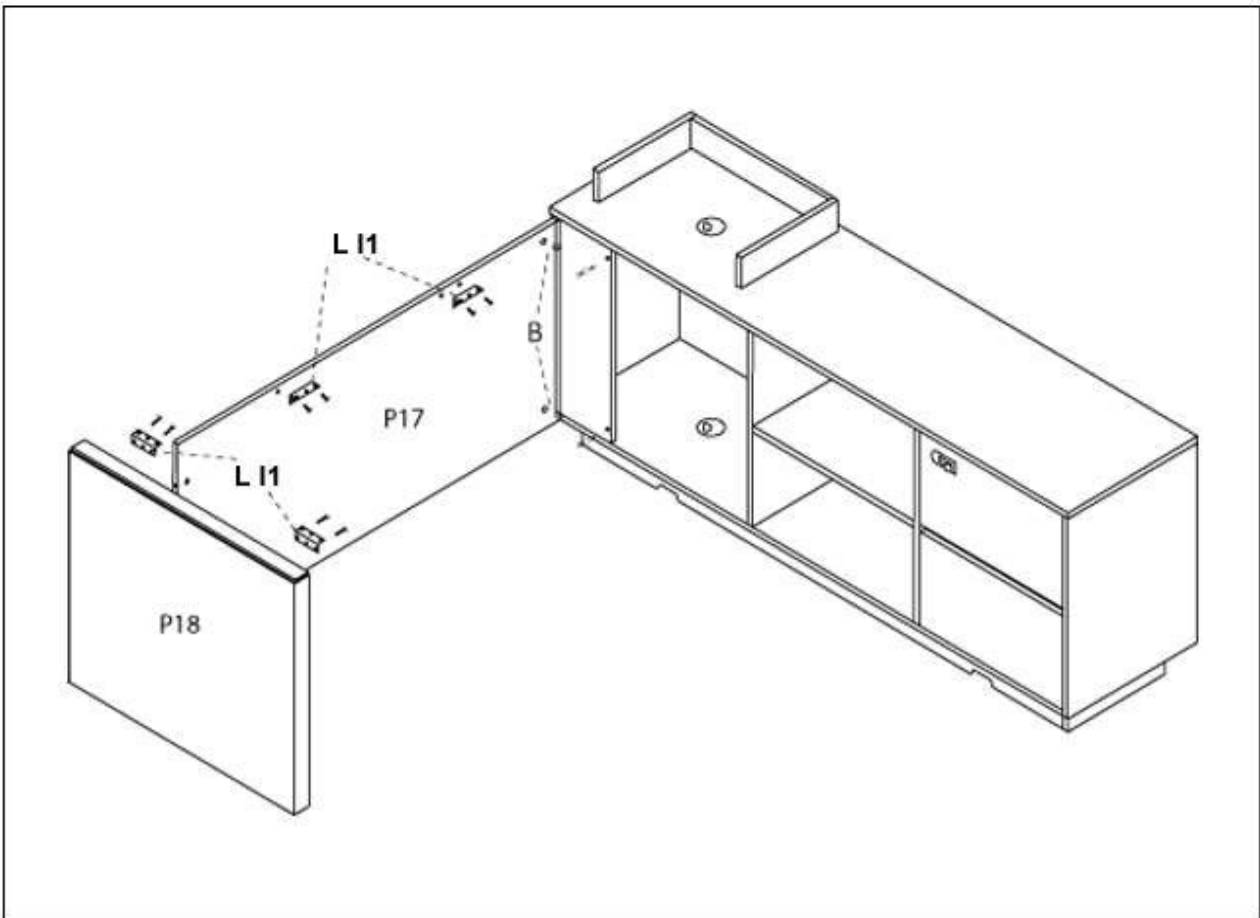
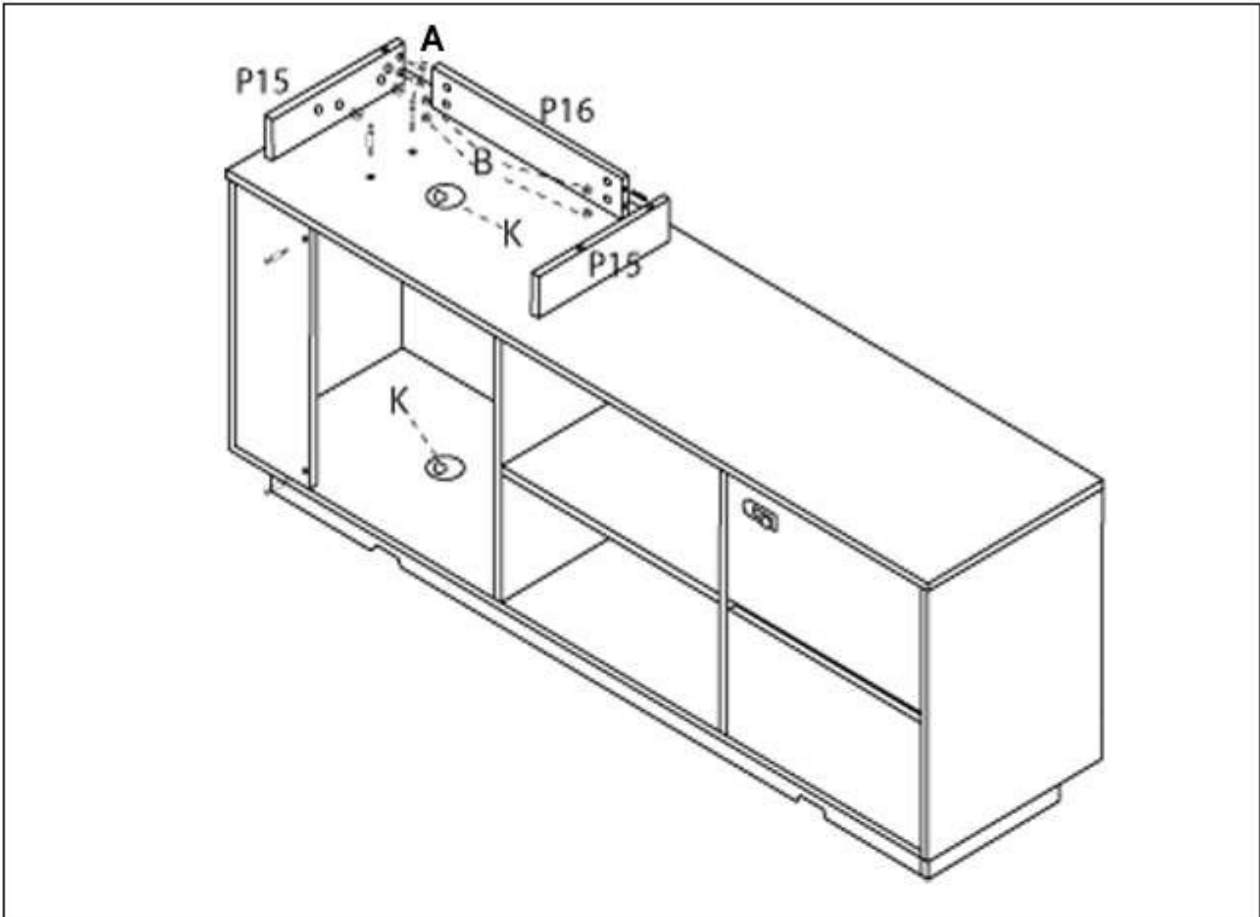
How to install Connector Cam & Bolt (Screw A & B)

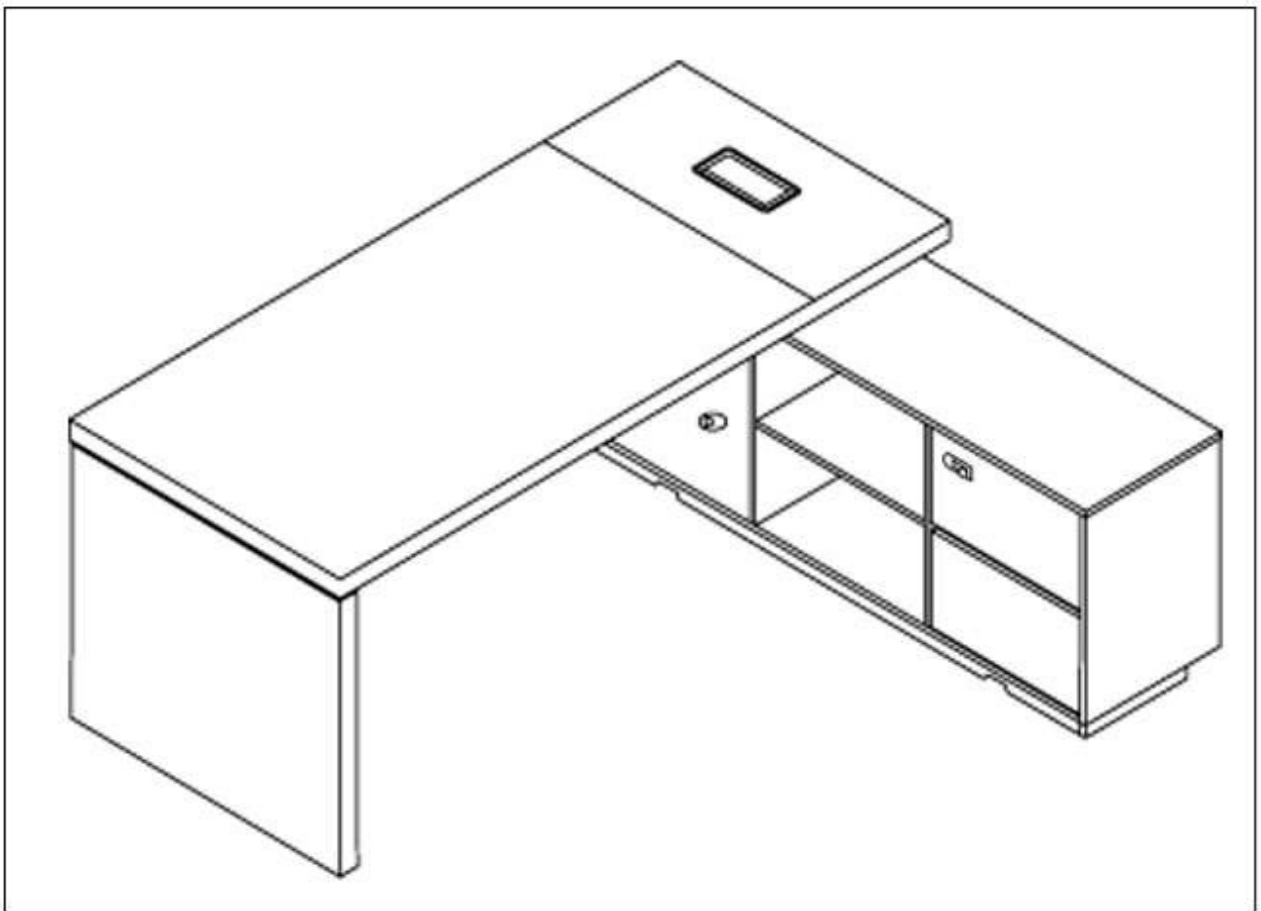
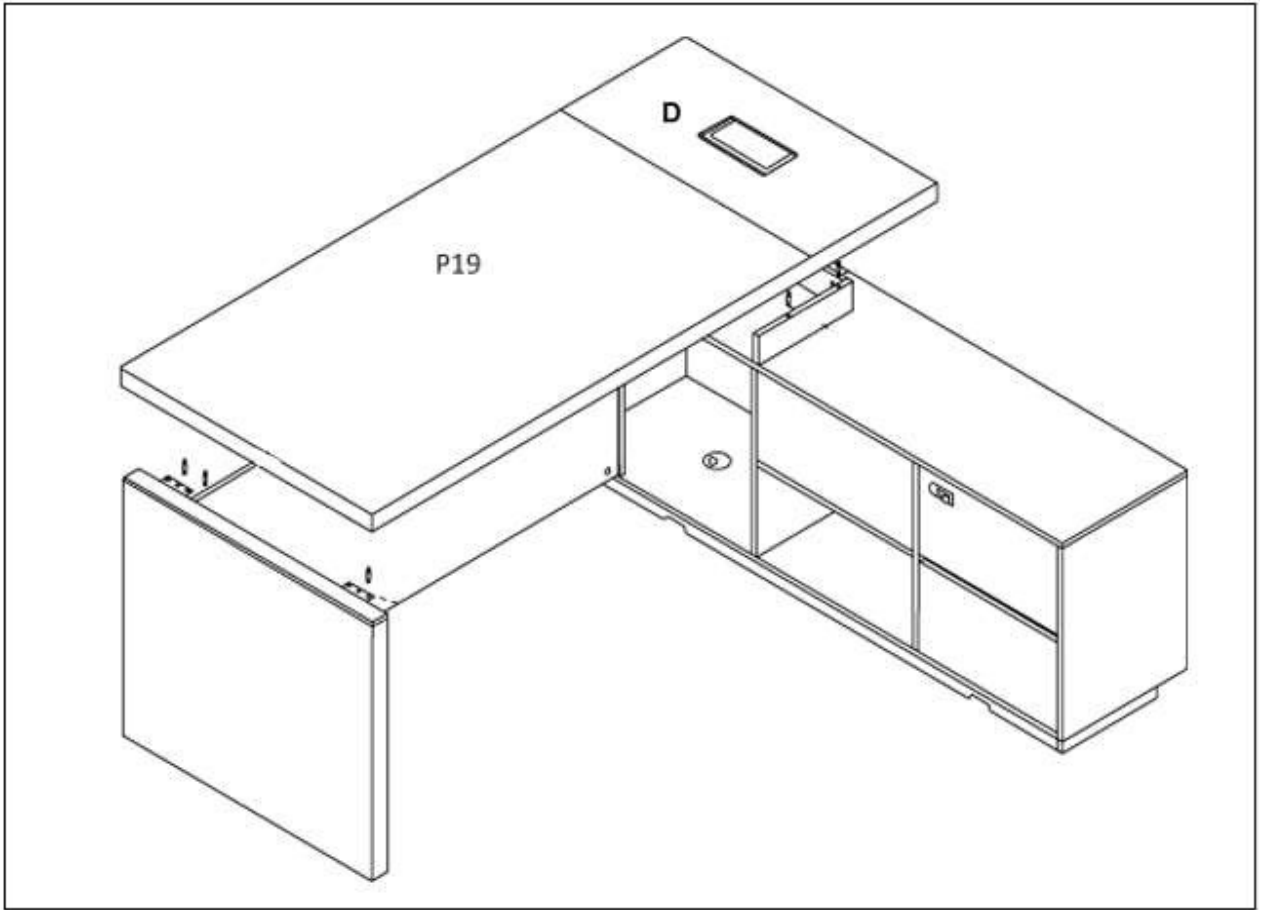












Left Return Installation

