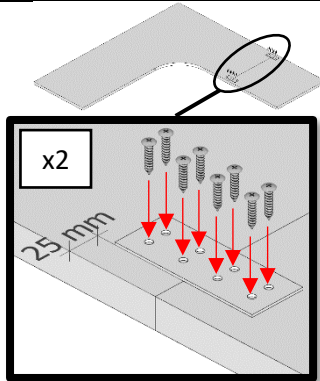


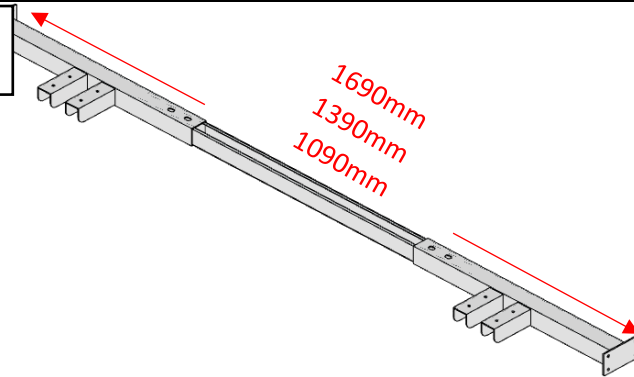
Apex/Apex Loop  
Corner Workstation  
600/750mmD  
Assembly instructions

1



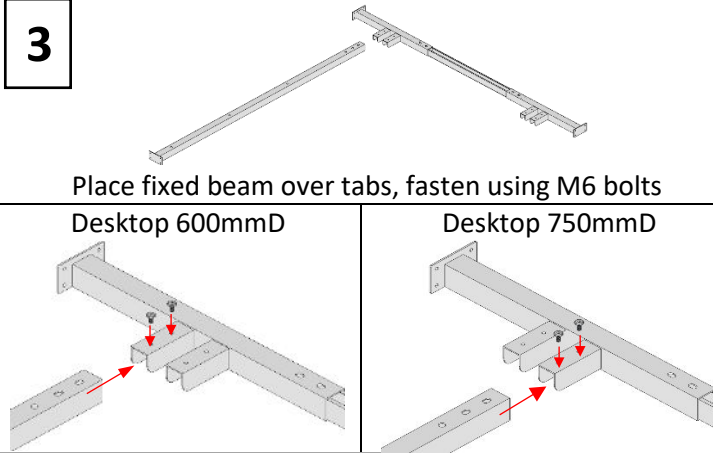
If applicable, attach wing top to corner top using plates and self-tapping screws

2



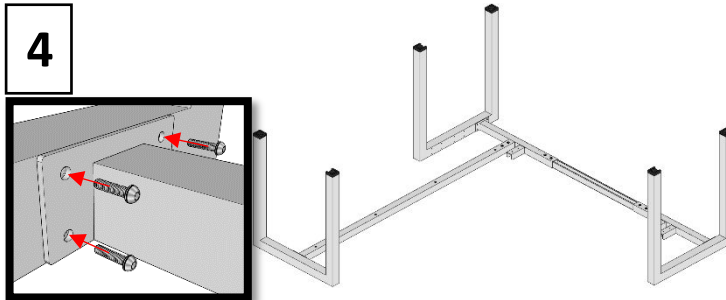
For 1800mmL top: adjust beam to 1690mm, tighten M6 bolts  
For 1500mmL top: adjust beam to 1390mm, tighten M6 bolts  
For 1200mmL top: leave beam at shortest length (1090mm)

3



Place fixed beam over tabs, fasten using M6 bolts  
Desktop 600mmD      Desktop 750mmD

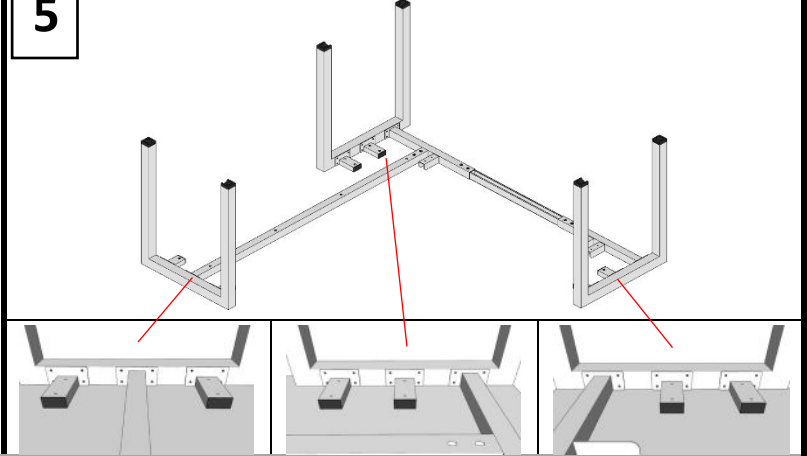
4



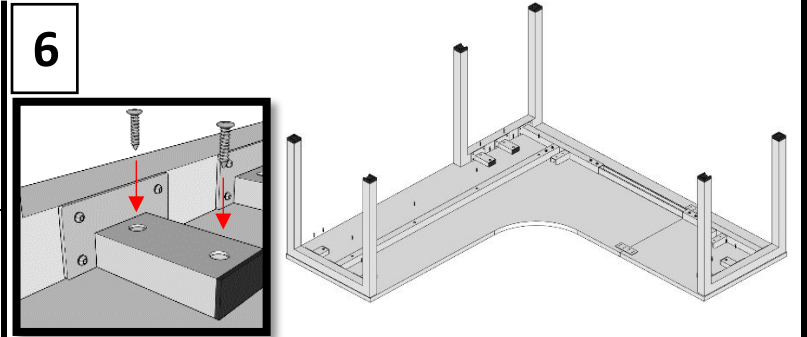
Fasten legs to beam using M4 bolts

5

Fasten tabs to legs using M4 bolts

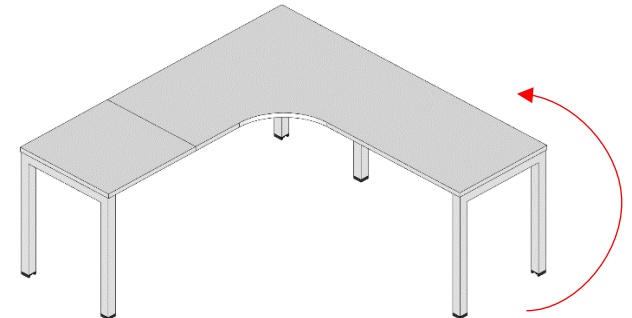


6



Fasten frame to desk top using self-tapping screws

7



Flip