

## ASSEMBLY INSTRUCTIONS:

Product Code : RSCWS18127M / RSCWS18157M / RSCWS18187M / RSCWS15157M

Product Name: Rapid Span Corner Workstation



## TIME REQUIRED:

25 minutes

## TOOLS REQUIRED:

Screwdriver, Electric Drill, Pencil, Measuring tape/Ruler

\*Tools are not included.

## SKILL REQUIRED:

Easy  Hard

The Assembly Skill Rating is a 5-point system that shows the degree of effort needed in assembling a specific product. With 1 being easy for the average person and 5 requiring an expert. For most products, two persons are recommended.

### NOTE

- As this is a commercial product, some intermediate skills may be required.
  - No pre-drill holes or markings are provided on our table or desk tops.
  - Please check you have all hardware before assembling.
- If you are missing any hardware, please contact your Rapidline reseller. Please ensure you have the name of the item, required hardware part and quantity.
  - Please retain your receipt as proof of purchase to validate your warranty.
- Assemble on a clean, flat, smooth surface such as a rug or carpet to avoid parts from being scratched.
  - Remove all wrapping materials, including staples and packing straps before you start to assemble
    - Keep all hardware parts out of reach of children.

### CAUTION




- Heavy product. Do not attempt to lift or move without help
- Do not tighten screws and bolts until completely assembled.
- Do not use this product unless all bolts and screws are firmly secured and tightened.

### WARNING

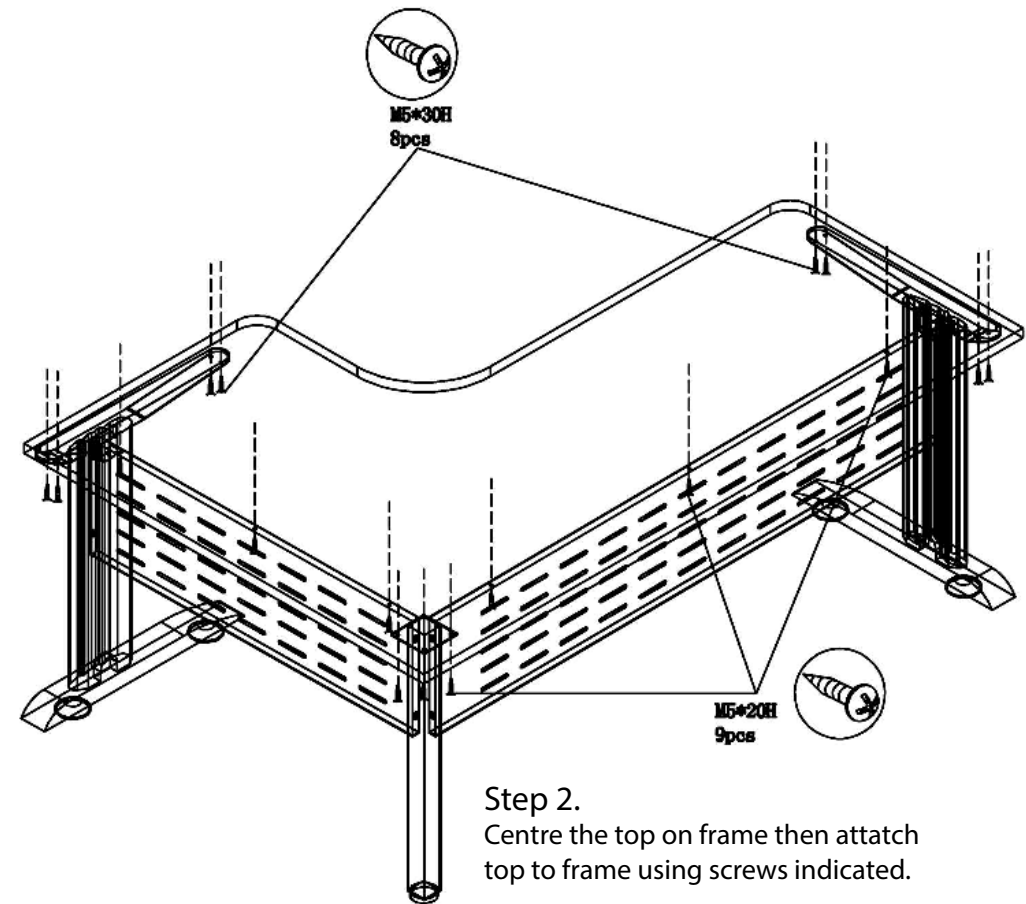
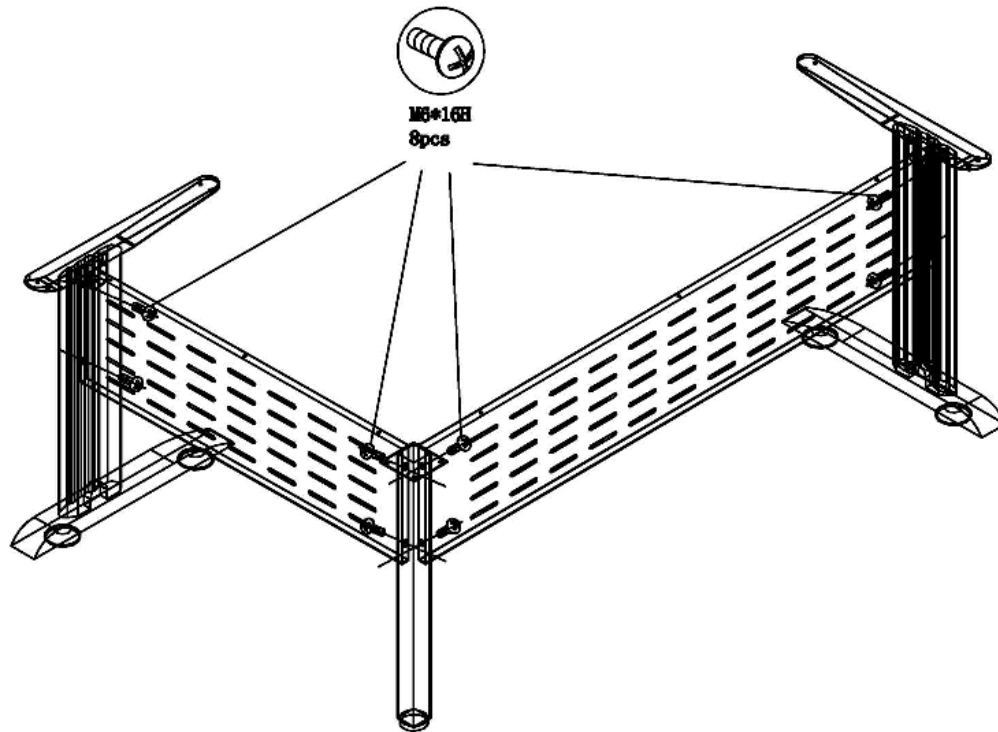
- If parts are missing, broken, damaged or worn stop using the product until all repairs are made.
  - Failure to follow these warnings could result in serious injury.

# ASSEMBLY INSTRUCTIONS

Rapid Span Corner Workstation

	M5*30H 8pcs		M6*16H 8pcs
	M5*20H 9pcs		

Step 1.  
Attach Modesty Panels to legs and  
centre pole using screws provided



Step 2.  
Centre the top on frame then attach  
top to frame using screws indicated.

Note: it may be easier to do this upside down with the top on a soft surface, and the frame centred upside down on the top.  
Use a pencil to mark the screw locations and pre-drill holes first if necessary