

ASSEMBLY INSTRUCTIONS:

Product Code : DRIVEN-1275, DRIVEN-1575, DRIVEN-1875

Product Name: Drive Fixed Desk

TIME REQUIRED:

30 minutes

TOOLS REQUIRED:

Screwdriver, Electric Drill, Pencil, Measuring tape/Ruler.

*Tools are not included.

SKILL REQUIRED:

Easy  Hard

The Assembly Skill Rating is a 5-point system that shows the degree of effort needed in assembling a specific product. With 1 being easy for the average person and 5 requiring an expert. For most products, two persons are recommended.

Please note, as this is a commercial product, some intermediate skills are required.

*No pre-drill holes or markings are provided on tops.

NOTE

- As this is a commercial product, some intermediate skills may be required.
 - No pre-drill holes or markings are provided on our table or desk tops.
 - Please check you have all hardware before assembling.
- If you are missing any hardware, please contact your Rapidline reseller. Please ensure you have the name of the item, required hardware part and quantity.
 - Please retain your receipt as proof of purchase to validate your warranty.
- Assemble on a clean, flat, smooth surface such as a rug or carpet to avoid parts from being scratched.
 - Remove all wrapping materials, including staples and packing straps before you start to assemble
 - Keep all hardware parts out of reach of children.

CAUTION

- Heavy product. Do not attempt to lift or move without help
- Do not tighten screws and bolts until completely assembled.
- Do not use this product unless all bolts and screws are firmly secured and tightened.

WARNING

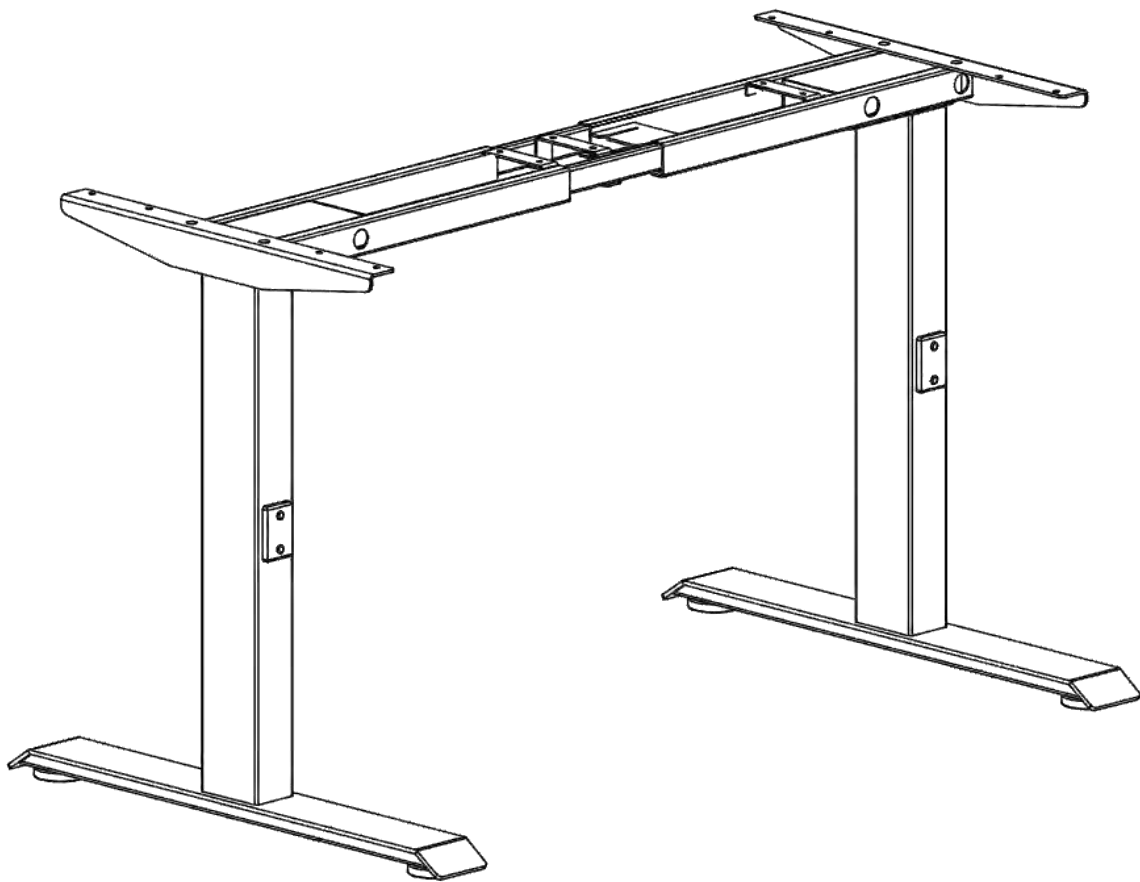
- If parts are missing, broken, damaged or worn stop using the product until all repairs are made.
 - Failure to follow these warnings could result in serious injury.



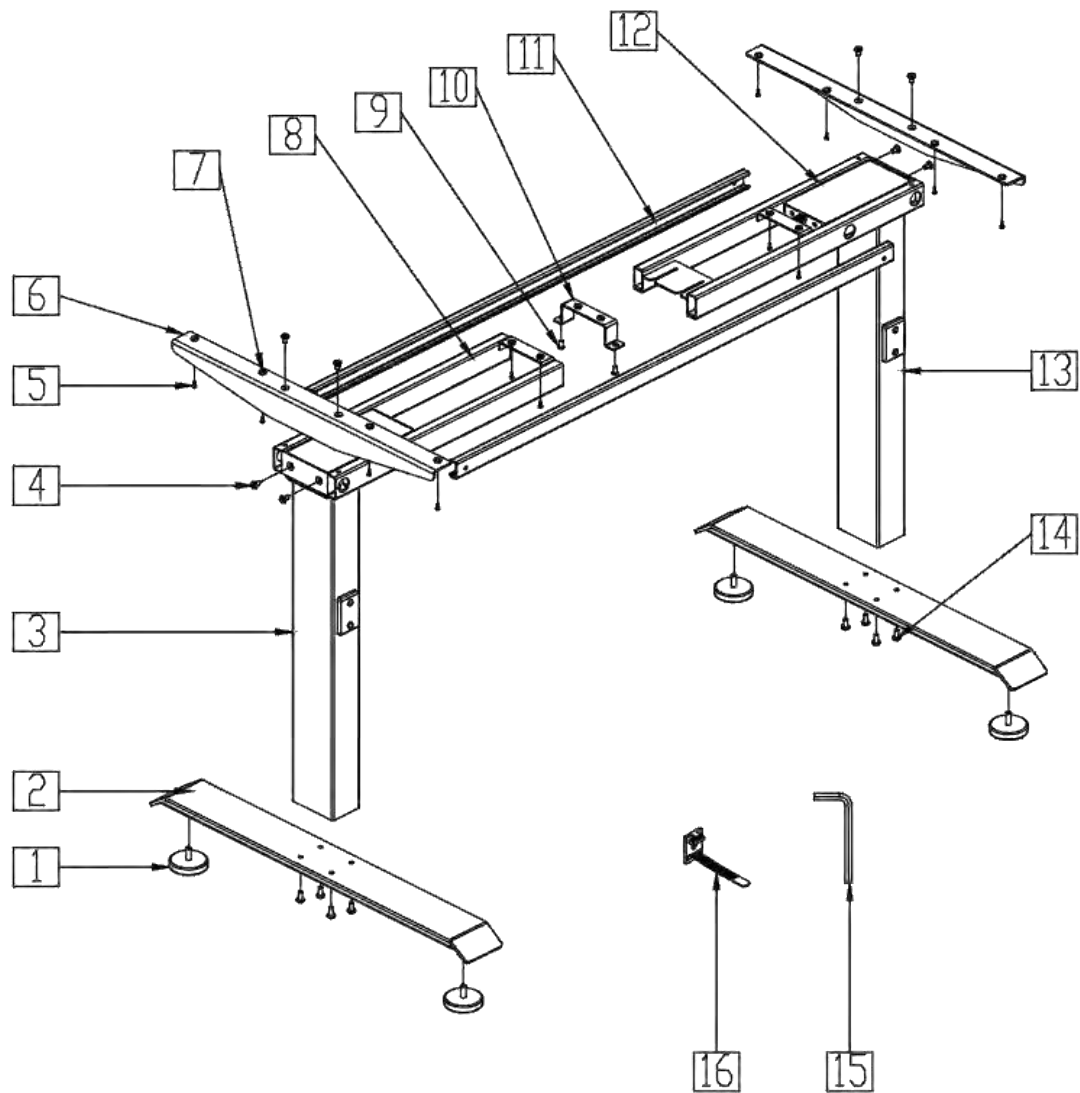
Drive Fixed Desk Frame Instruction Manual

Table of Contents

| | |
|-----------------------------|---|
| Component parts | 2 |
| Assembly Instructions | 3 |



Component parts

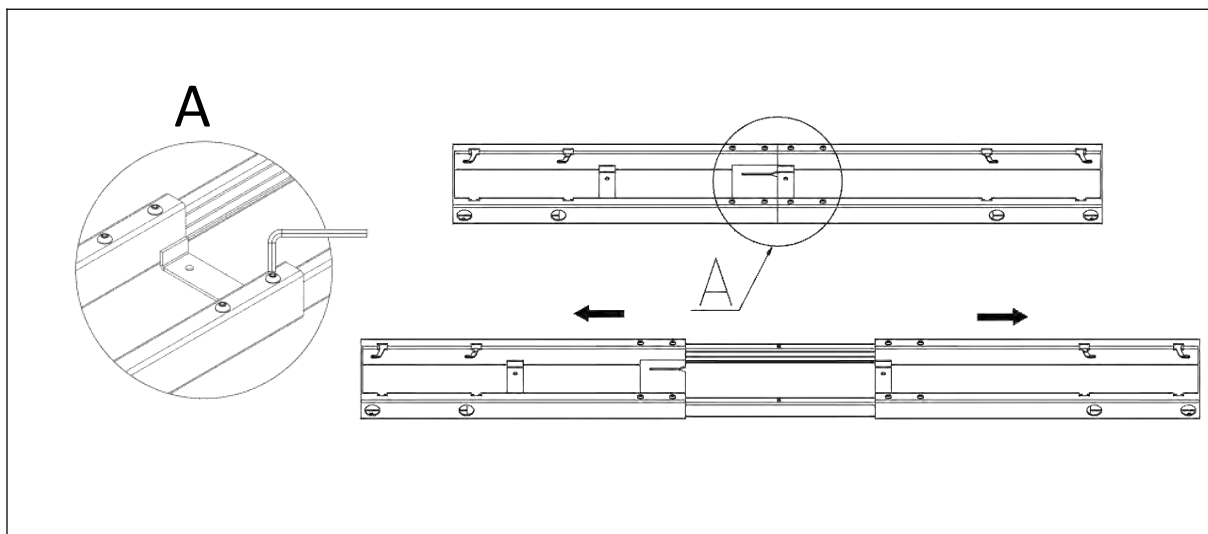


| NO. | Component Name | PCS | NO. | Component Name | PCS |
|-----|----------------|-----|-----|-------------------|-----|
| 1 | Leveling pads | 4 | 9 | Bolt: M6x10 | 3 |
| 2 | Table feet | 2 | 10 | Centre bracket | 1 |
| 3 | Column(right) | 1 | 11 | Center rails | 2 |
| 4 | Bolt: M6x12 | 9 | 12 | Top frame-2 | 1 |
| 5 | Screw:ST4x20 | 22 | 13 | Column(left) | 1 |
| 6 | Side brackets | 2 | 14 | Bolt: M6x16 | 9 |
| 7 | Rubber pad | 14 | 15 | Allen Wrench(4mm) | 1 |
| 8 | Top frame-1 | 1 | 16 | Cable Tie | 5 |

Assembly Instructions

Step 1

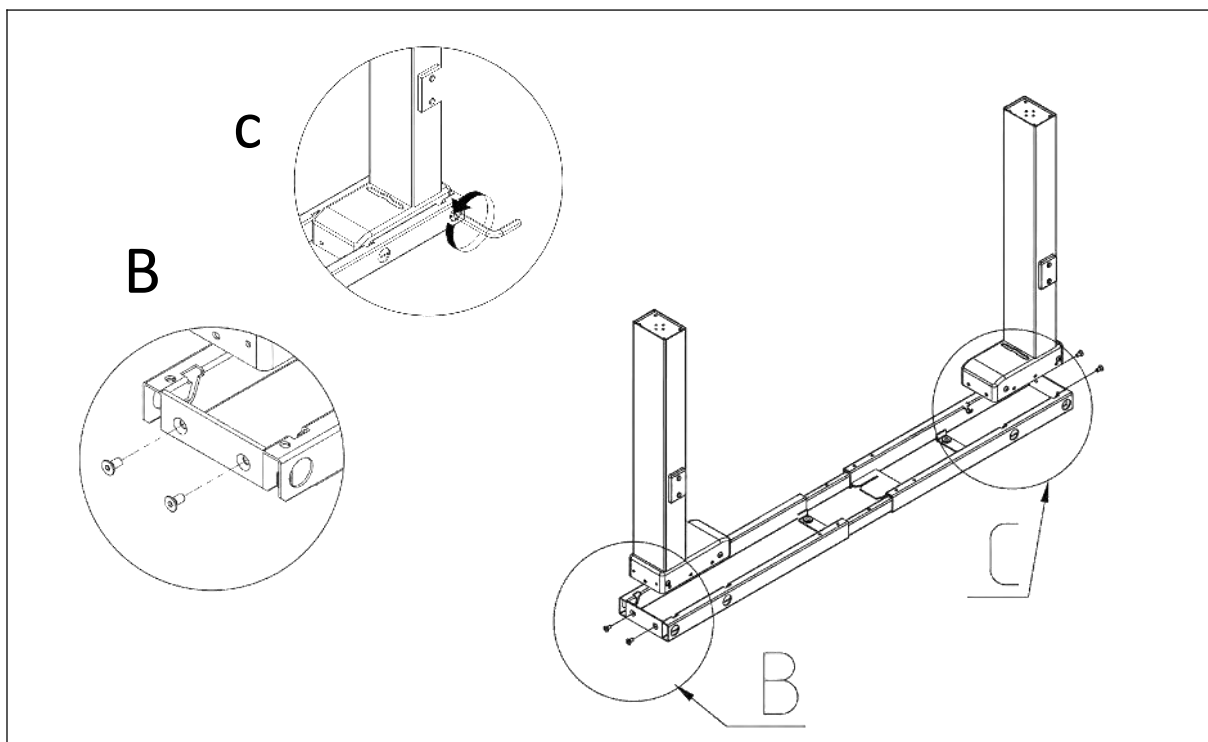
Loosen the pre-installed bolts and Adjust the length of the top frame to match the size of the table top.



Step 2

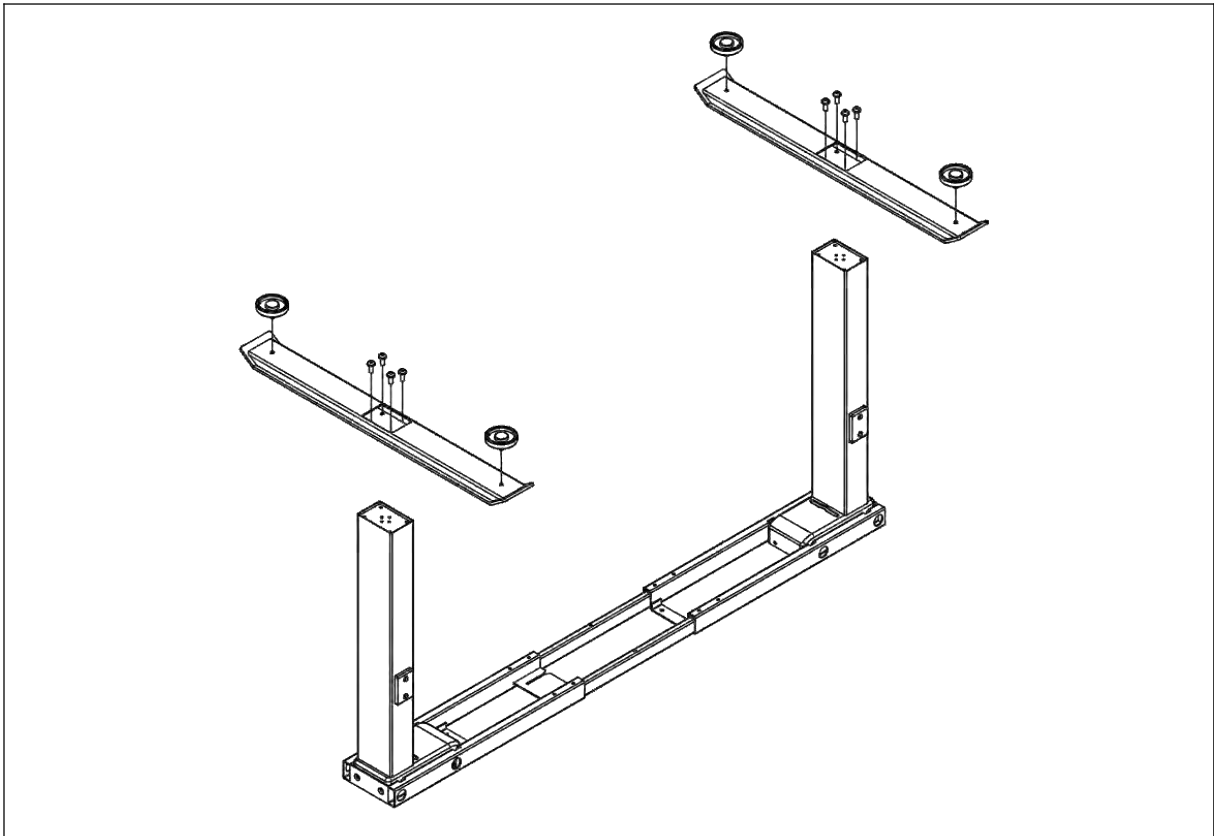
Inset the column to the top frame.

- First fix lifting column with 4 pcs screws M6x12 like **B** displayed
- And then tighten the pre-installed bolts like **C** displayed



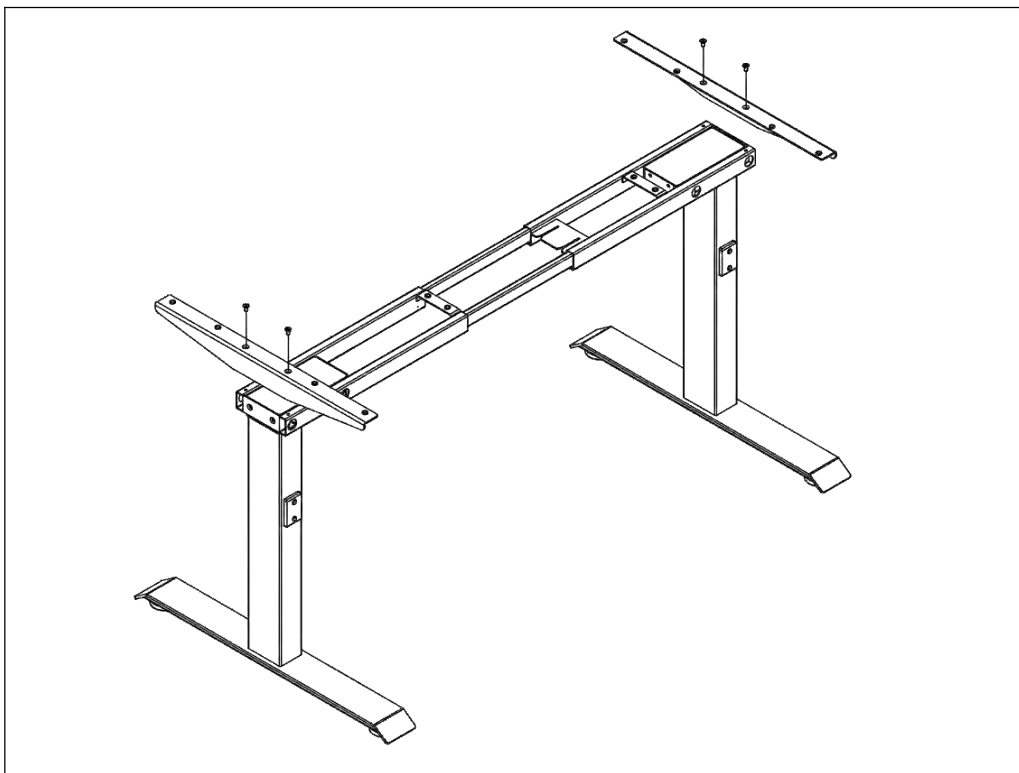
Step 3

Install the two table feet with Screws 8 pcs M6x16,
Install the 4 pcs leveling pads



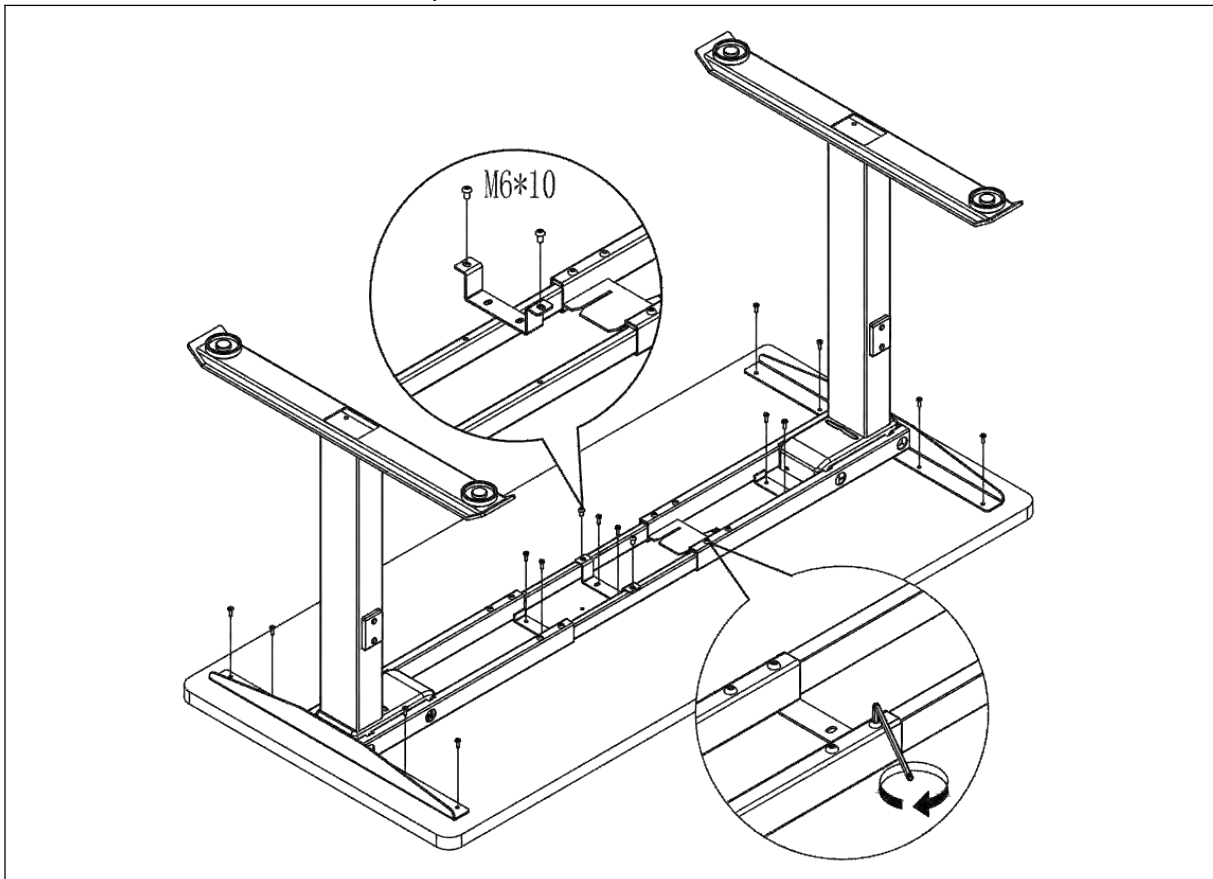
Step 4

Install the two side brackets with Screws 4 pcs M6x12,



Step 5

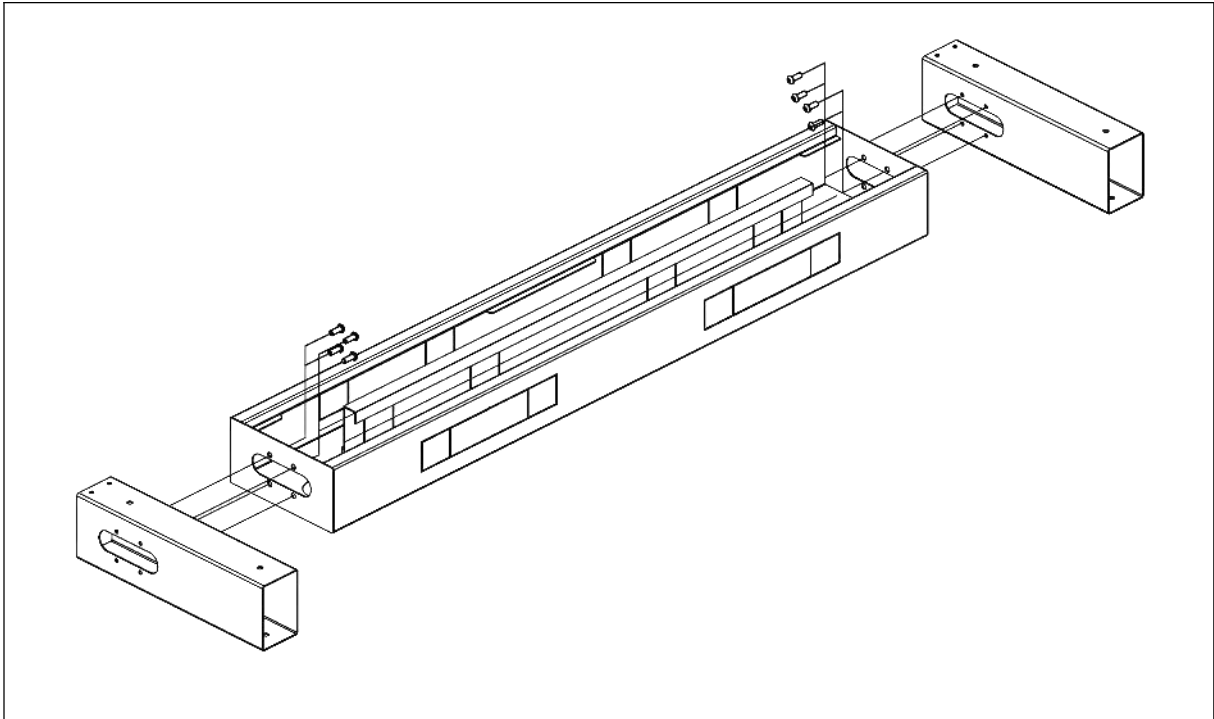
Mount the tabletop and fix it with 14 pcs screws ST4x20; Tighten the screws like D display to fix the top frame. Fix the centre bracket with 2 pcs screws M6x10



Cable tray installation

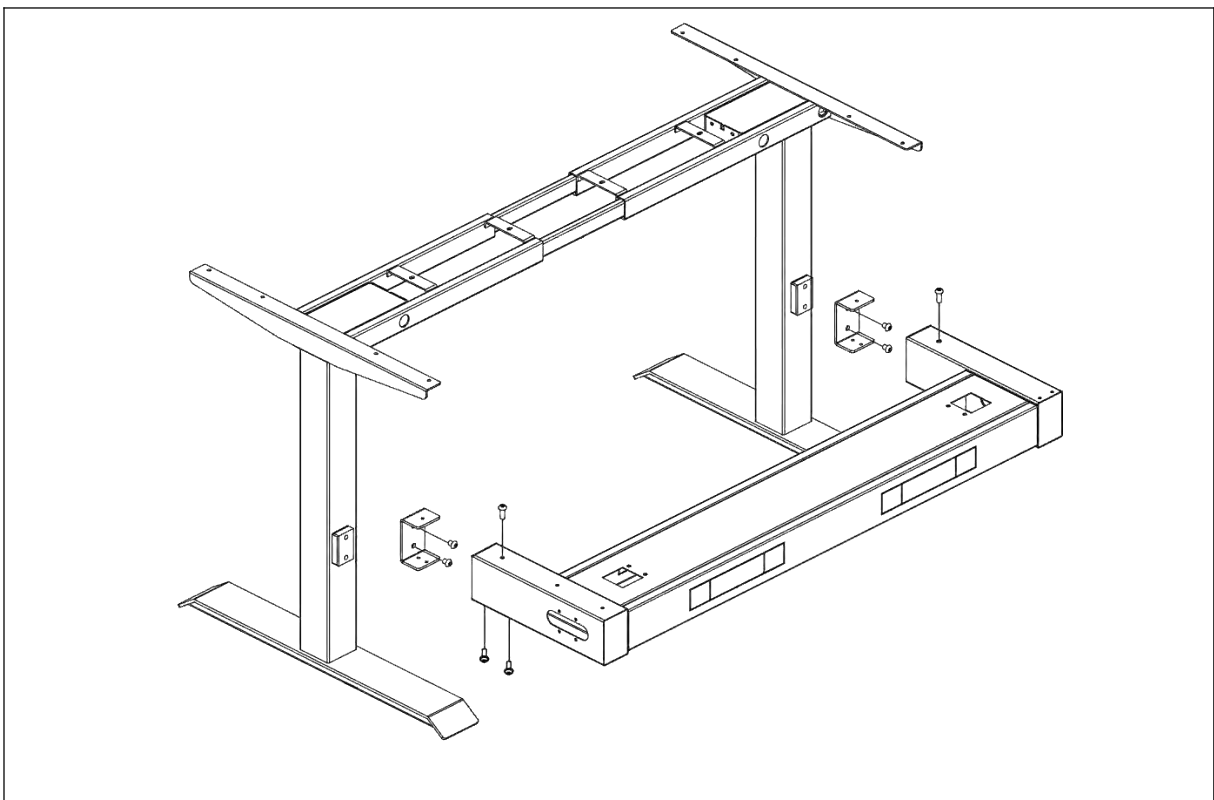
Step 1

- Fix the cable tray to the cable tray arms with 8 pcs M6x10 screws.



Step 1

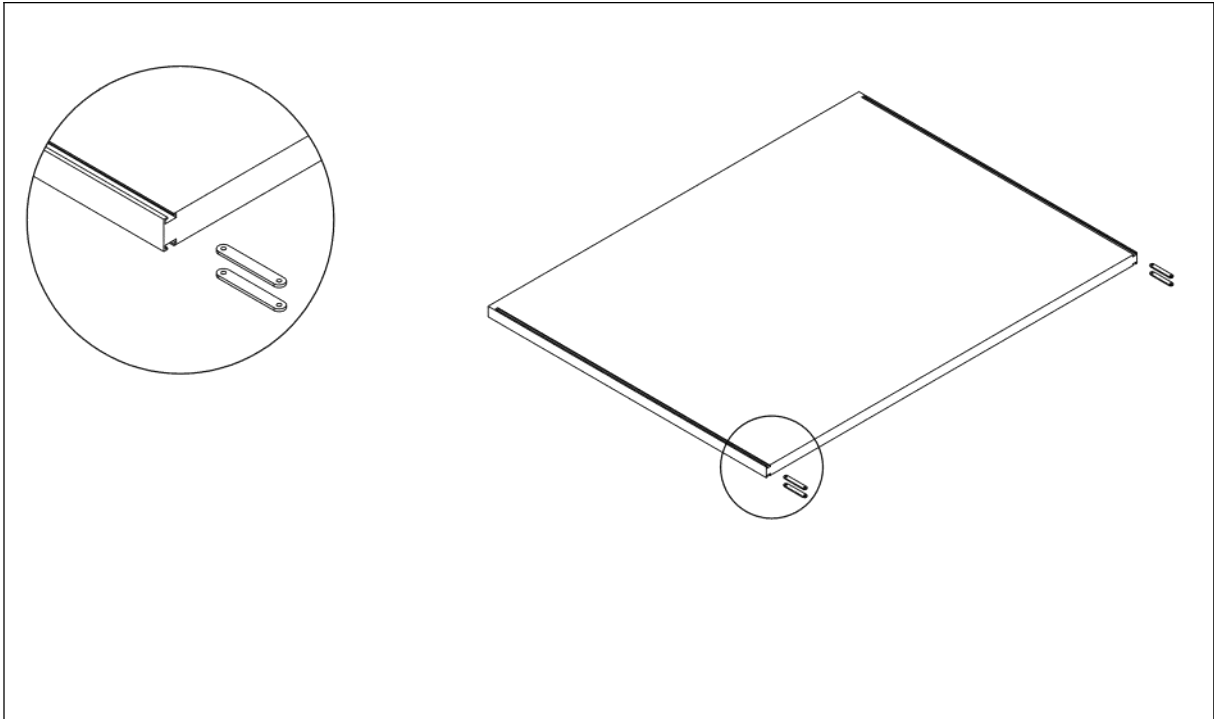
- Install the U brackets to the desk frame with 4 pcs M8x10 screws.
- Mount the cable tray to the desk frame and fix it with 6 pcs M6x10 screws



Screen panel installation

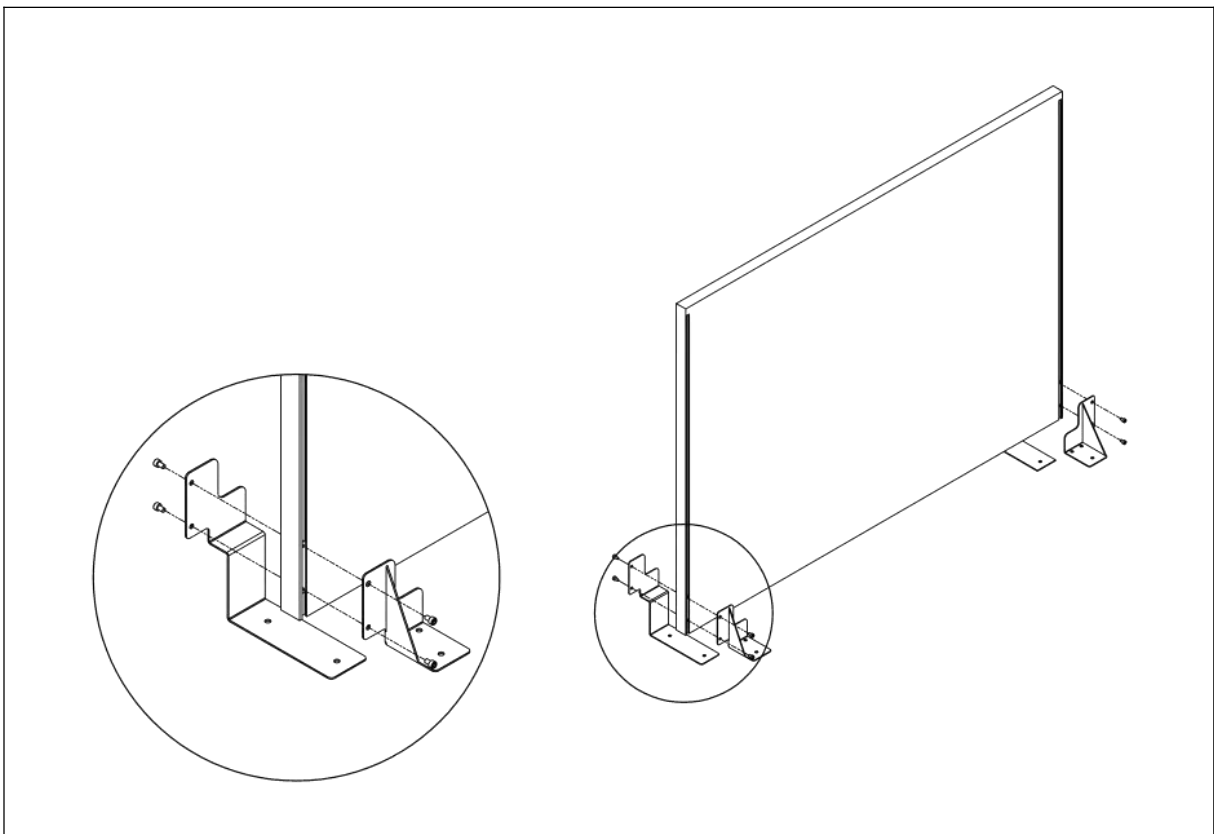
Step 1

- Insert the tapped plates to the screen panel



Step 2

- Install the brackets to the panel with 8 pcs M5x6 screws.



Step 3

- Fix the panel to the desk frame with 10 pcs M6x10 screws.

