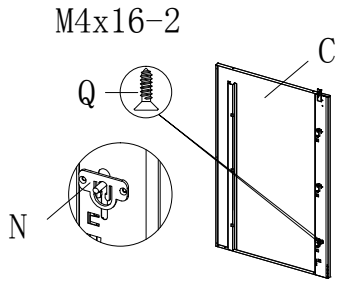
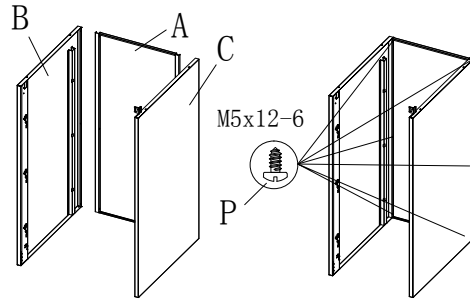


# Vertical File Cabinet Installation Instructions

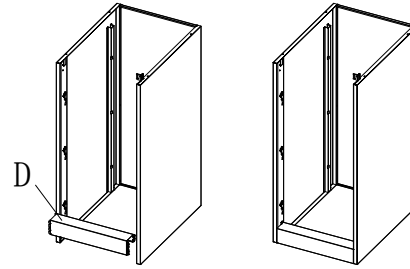
1: As shown, with Q fixed at C on the N



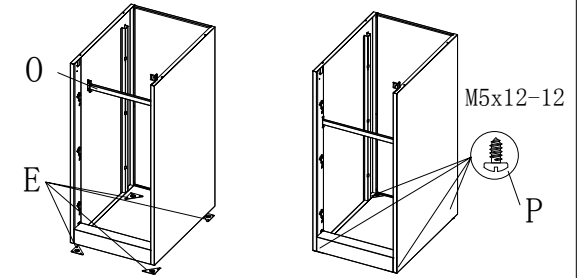
2: The B, C mounting onto A, with P fixed



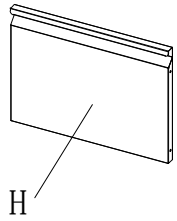
3: D as shown in the attached to B, C



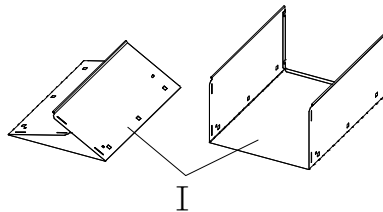
4: The O, E as shown mounted to the cabinet, With P fixed E



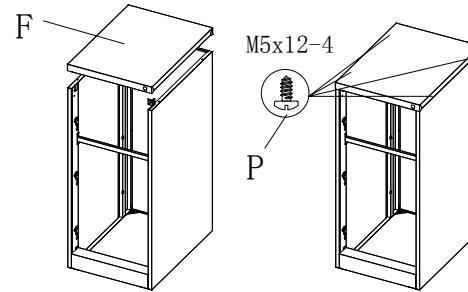
a:



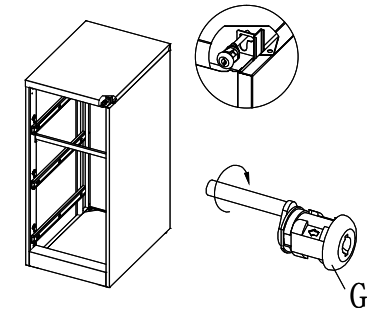
b: Open I



5: F to cabinet installation, with P fixed



6: As shown installed rails L, G locks (When installing G, there is a note that locks the arrow side up, the rotational direction of the latch is shown below)



d: Installation shown in Figure K; M to install I, and with R fixed

e: When installing refer to the figure pulled sled L

7: Packed onto the drawer on the cabinet (installed)

c: Shown mounted to the drawer on the J

