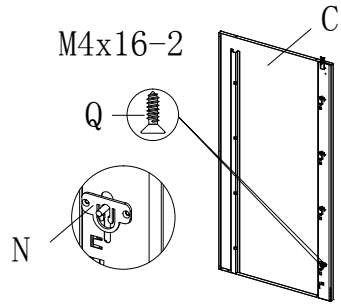


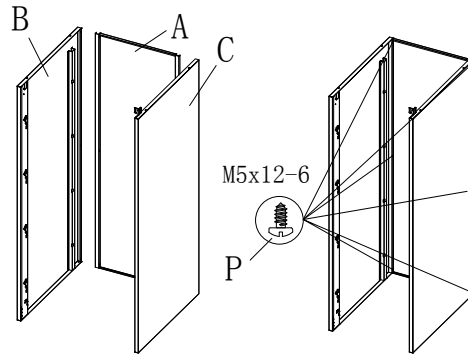
Vertical File Cabinet Installation Instructions

1: As shown, with Q fixed at C on the N



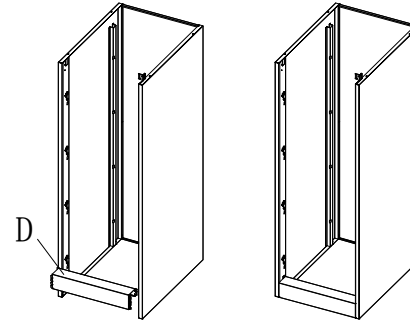
a:

2: The B, C mounting onto A, with P fixed

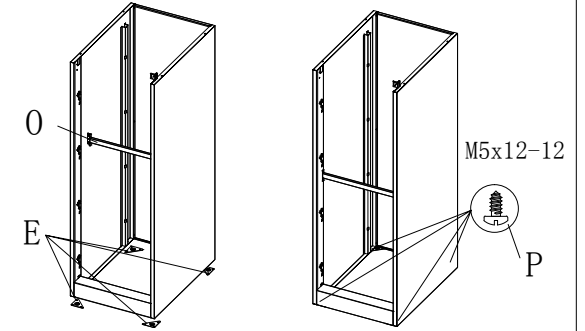


b: Open I

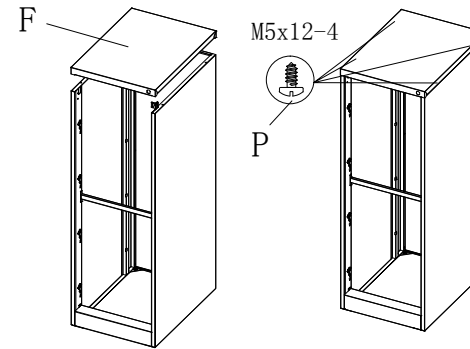
3: D as shown in the attached to B, C



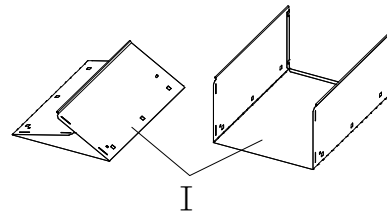
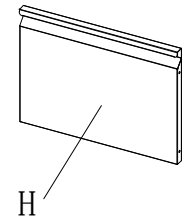
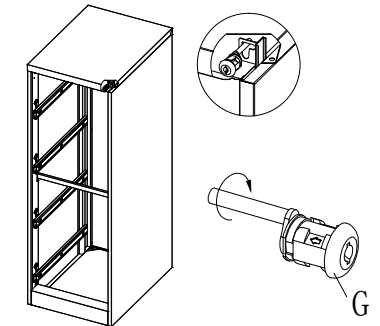
4: The O, E as shown mounted to the cabinet, With P fixed E



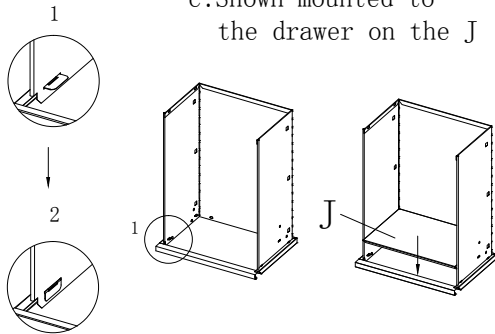
5: F to cabinet installation, with P fixed



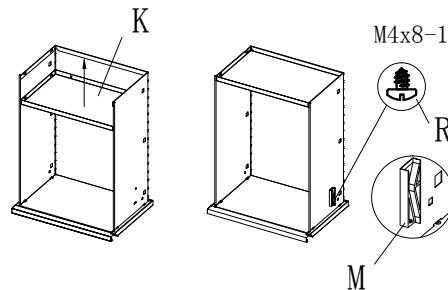
6: As shown installed rails L, G locks (When installing G, there is a note that locks the arrow side up, the rotational direction of the latch is shown below)



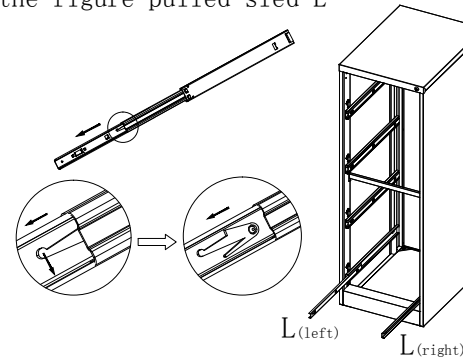
c: Shown mounted to the drawer on the J



d: Installation shown in Figure K; M to install I, and with R fixed



e: When installing refer to the figure pulled sled L



7: Packed onto the drawer on the cabinet (installed)

