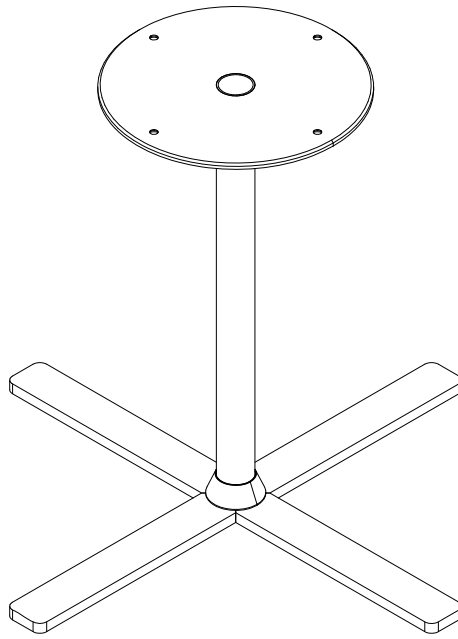


# Assembly Instructions

MODEL NO: KEPPEL-ST



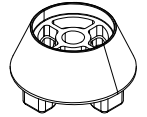
Bolt Screw 8x40



1

1PCS

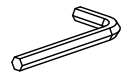
Conical aluminum parts



2

1PCS

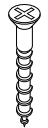
Allen Wrench M5



3

1PCS

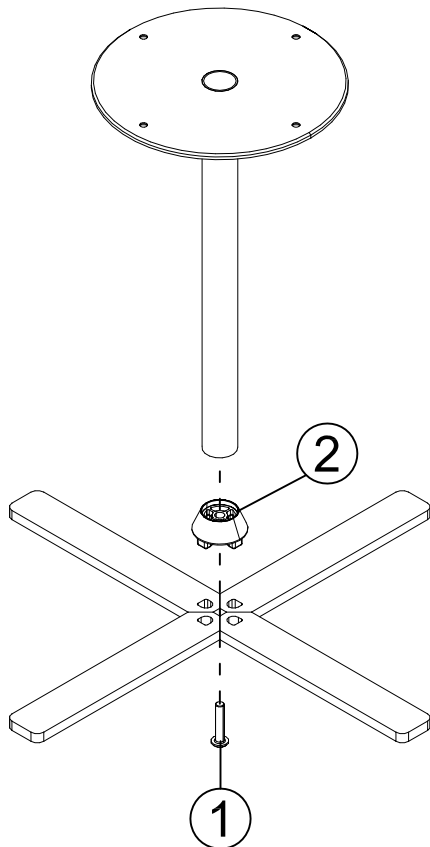
Wood Screw 4x20



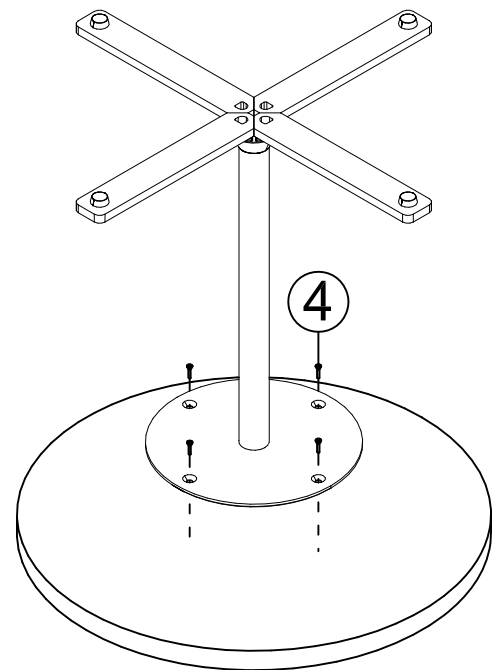
4

4PCS

## STEP1



## STEP2



### IMPORTANT NOTE:

- Place all laminated parts on a clean and smooth surface such as a rug or carpet to avoid the parts from being scratched.
- Check to be sure that you have all parts and hardware.
- Remove all wrapping materials, including staples & packing straps before you start to assemble.
- Don't tighten all screws/bolts until all completely assembled.
- Keep all hardware parts out of reach of children

