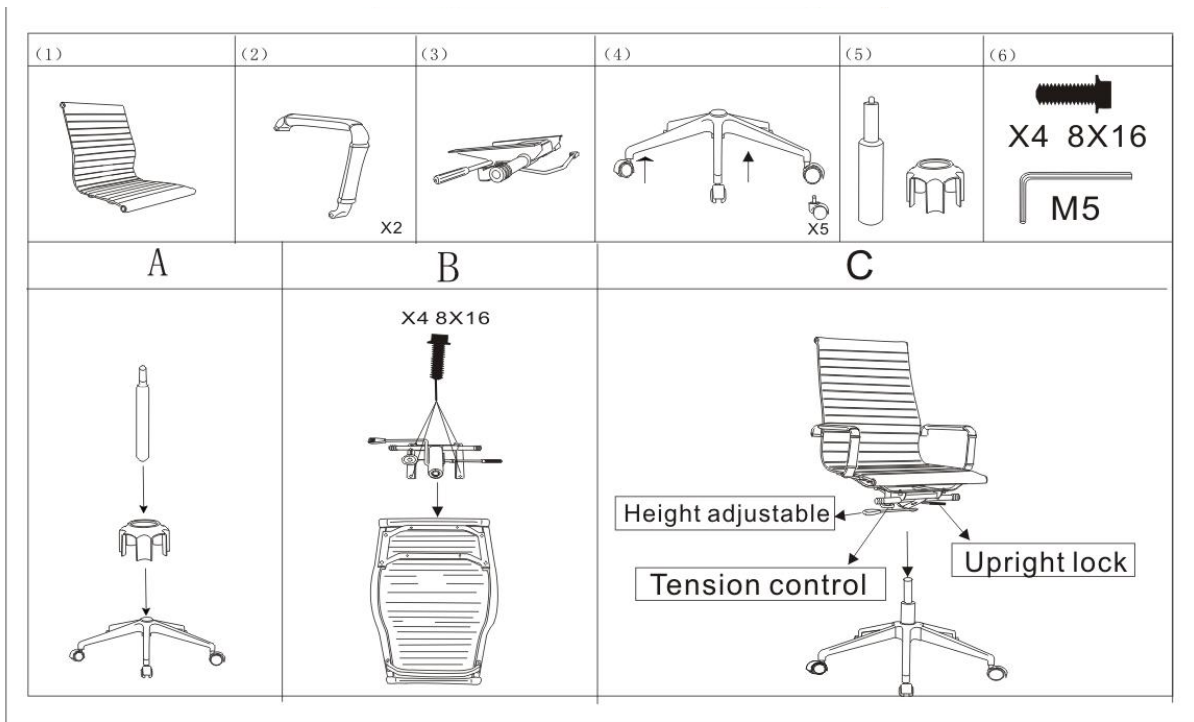


Product Code: ACE
 Product Name: Ace Executive Chair



This model is type C chair.

ADJUSTING MECHANISM

- *Height adjustable: Lift lever.
- *Seat & Back tilt with upright lock: Push in lever to lock chair. Pull out lever make chair tilt.
- *Tension control: Turn knob to make chair suit your weight.

ERGONOMIC INSTRUCTION

- *For good blood circulation, adjust the seat height to make your feet rest flat on the floor.
- *Your forearms should be close to horizontal.

MAINTENANCE

- *Protect the chair from direct sunlight.
- *Check and tighten all the bolts periodically.

FABRIC CARE

- *Vacuum regularly and gently.
- *Wipe clean with damp cloth.
- *Use leather cleaner where leather is applicable.
- *Test on concealed before proceeding.

CASTOR

*Hard-tyred castors are unsuitable for use on hard floors or firm chairmats in which case soft-tyred castors should be used. Soft-tyred castors are distinguishable by the tyre being a different color to the body of the castor.

WARNING

- *Do not use this chair unless all bolts/knob are tightened and this chair is assembled firmly and properly.
- *This chair is for one person to sit on. Do not stand on the chair.
- *Do not touch mechanism except lever handle/knob when people is sitting in.
- *Only trained personel replace or repair cylinder.
- *Failure to follow these warnings could result in serious injury.

