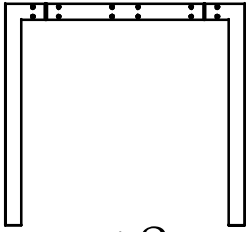
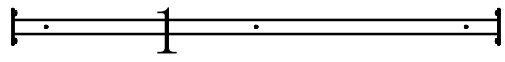


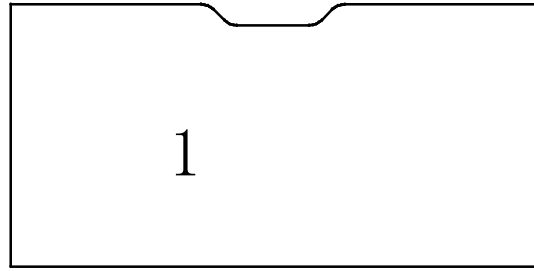
STEP 1:



\*2

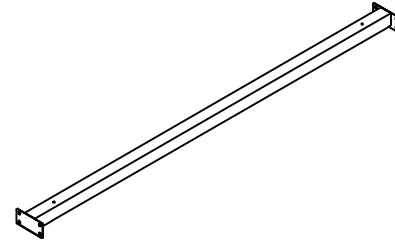
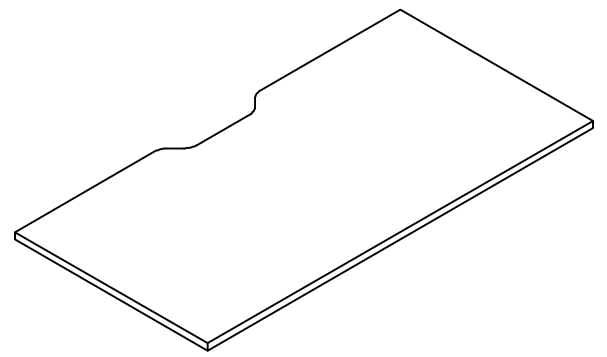
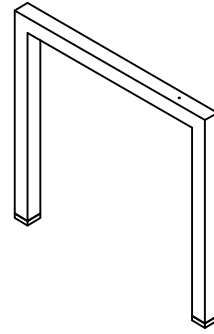


\*4

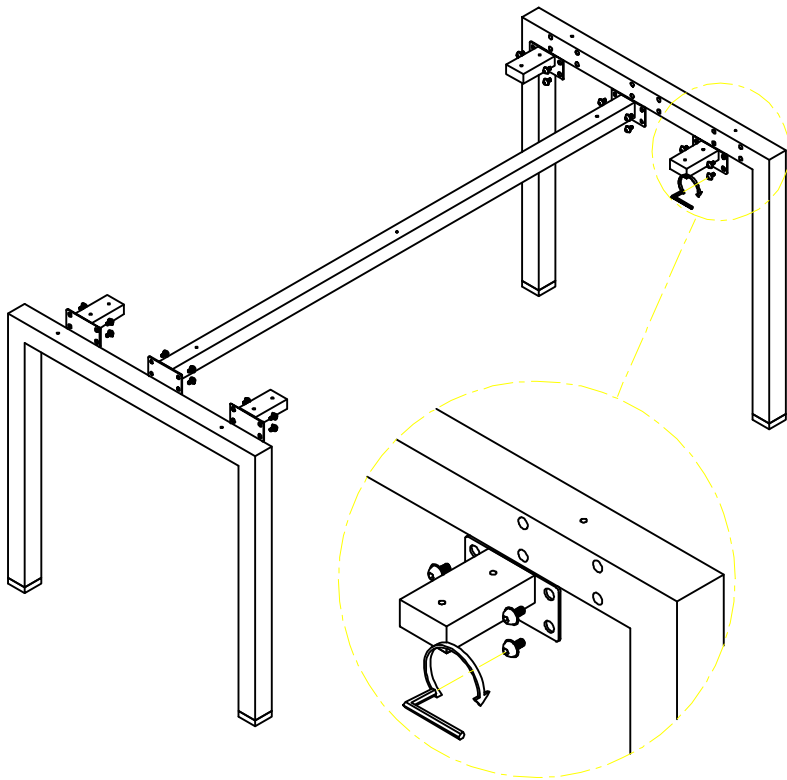


1

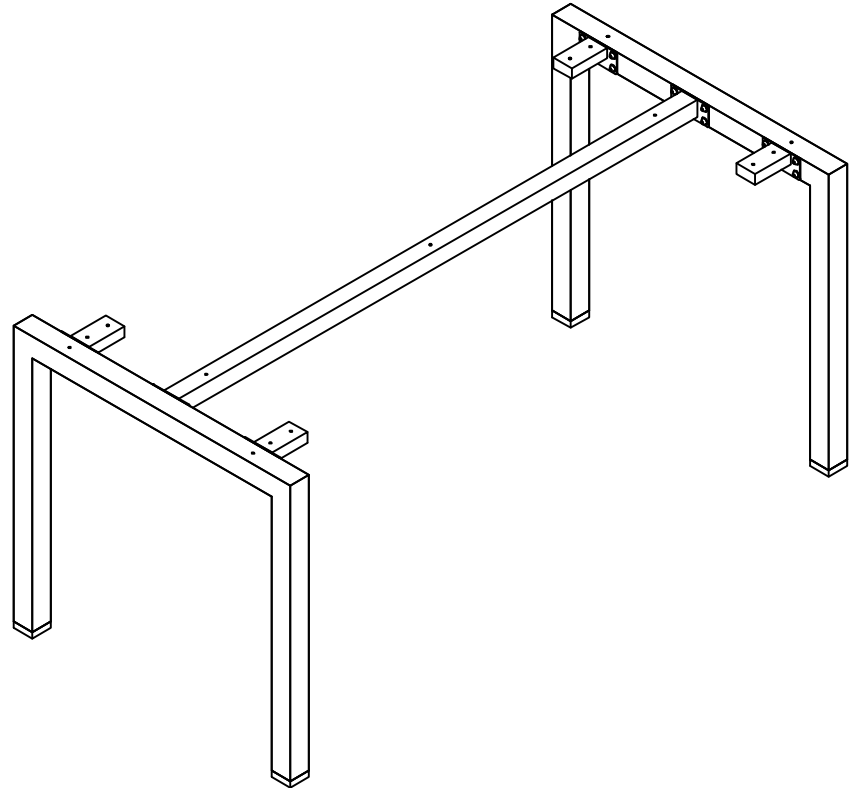
STEP 2:



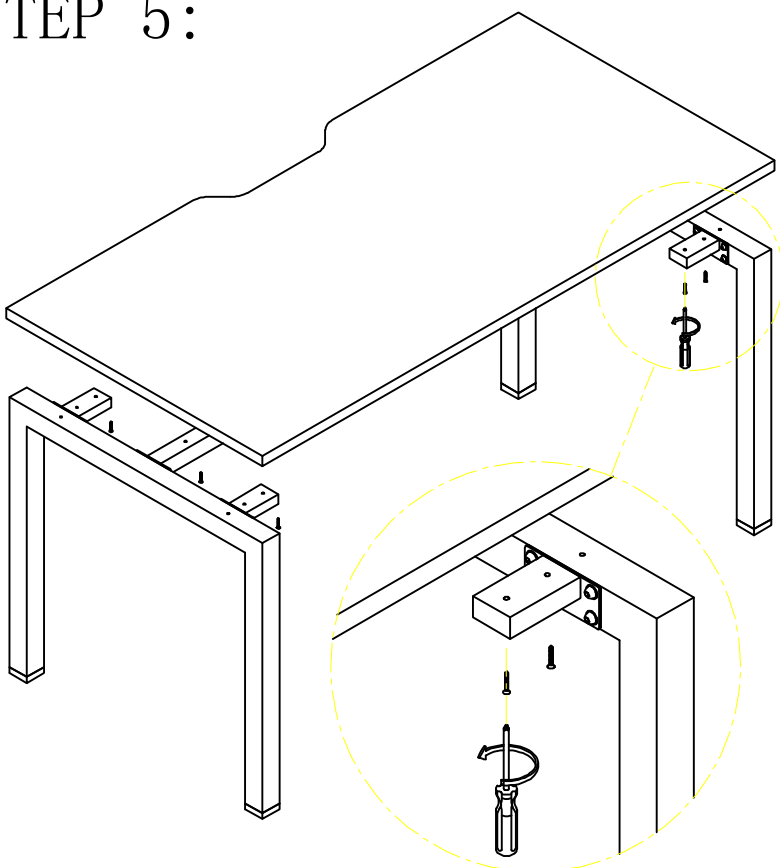
STEP 3:



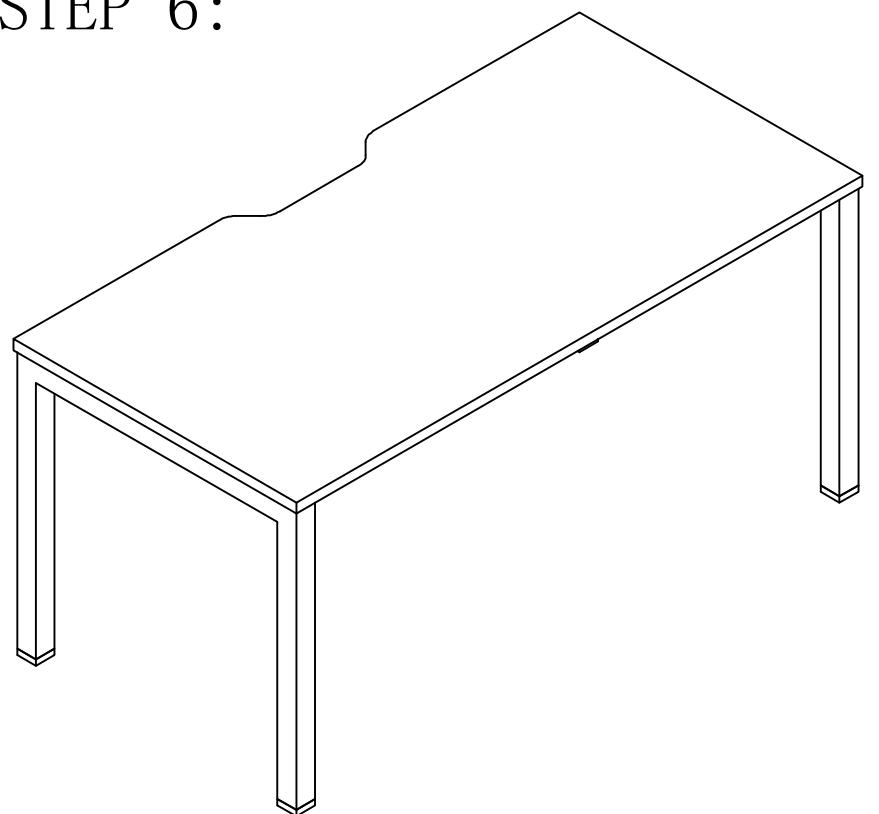
STEP 4:



STEP 5:



STEP 6:

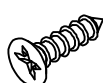


A



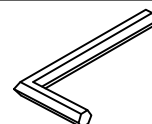
round bolt  
\*24PCS

B



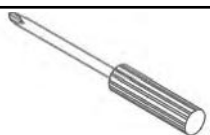
tapping screw  
\*15PCS

C



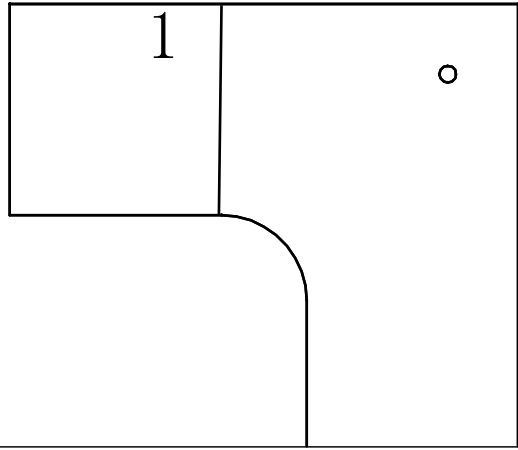
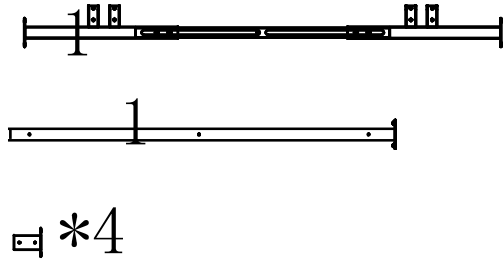
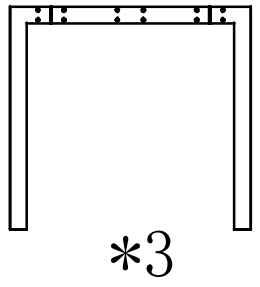
Allen Key  
\*1PCS

D

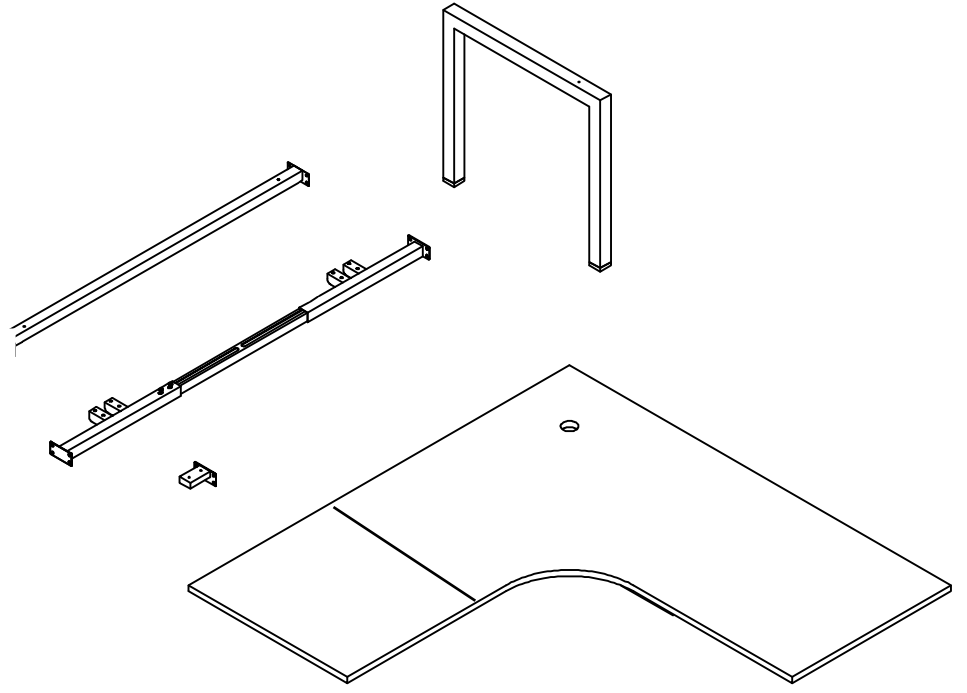


Screw Driver  
Not Supplied

STEP 1:

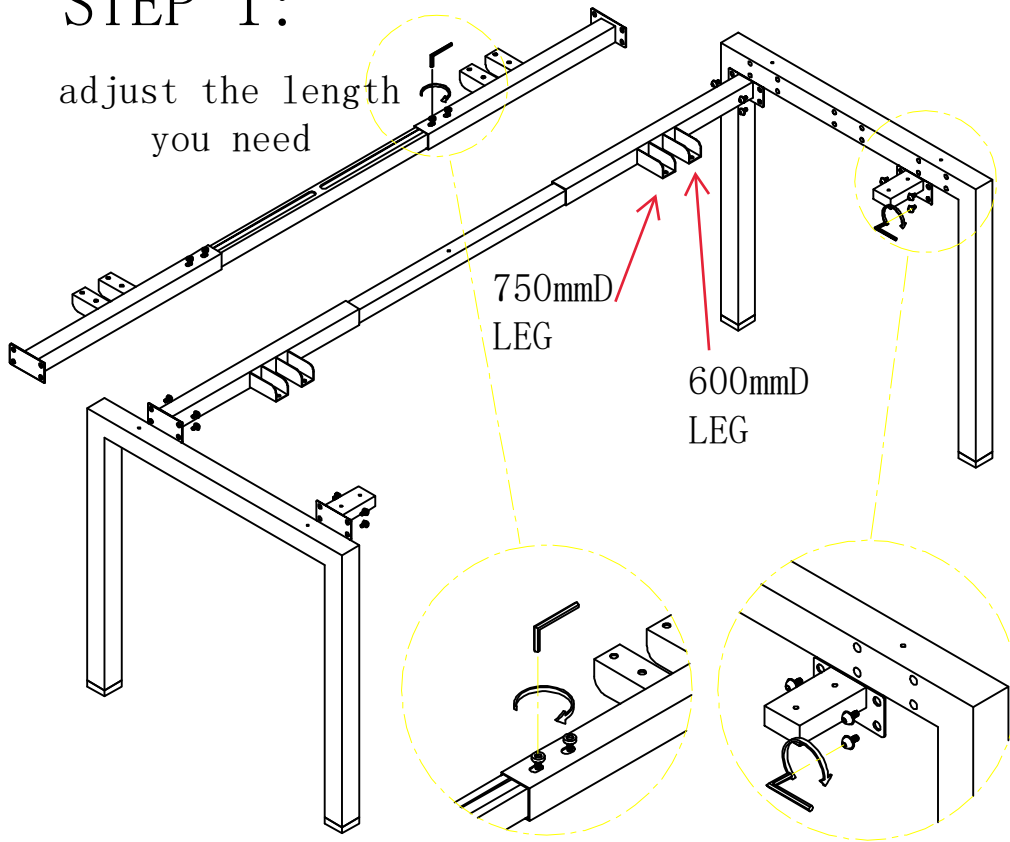


STEP 2:

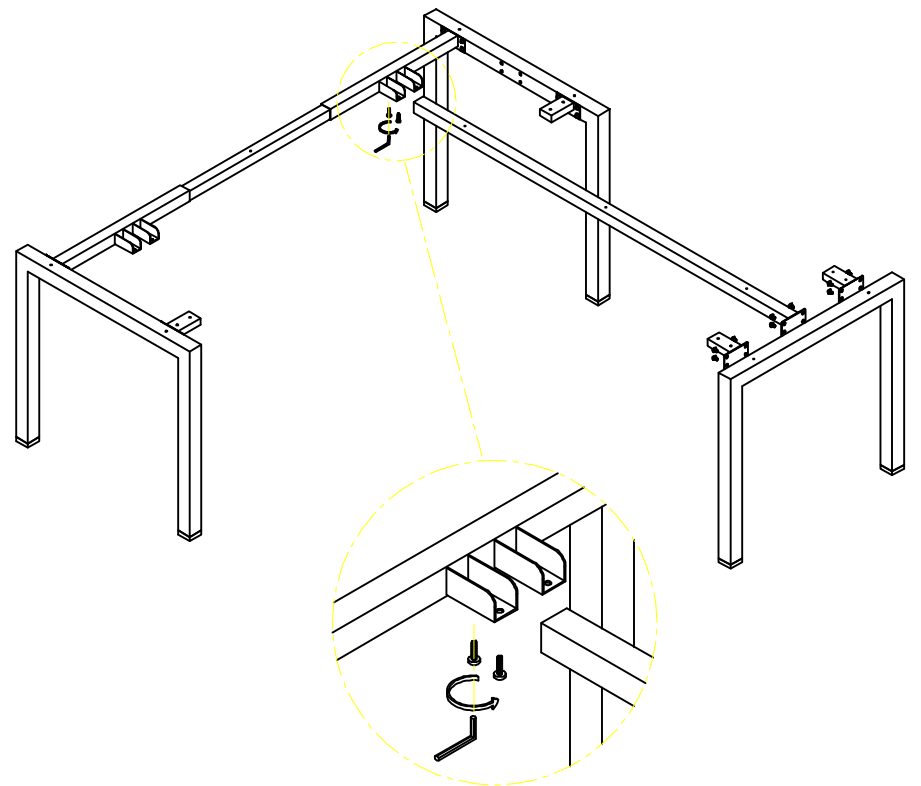


STEP 1:

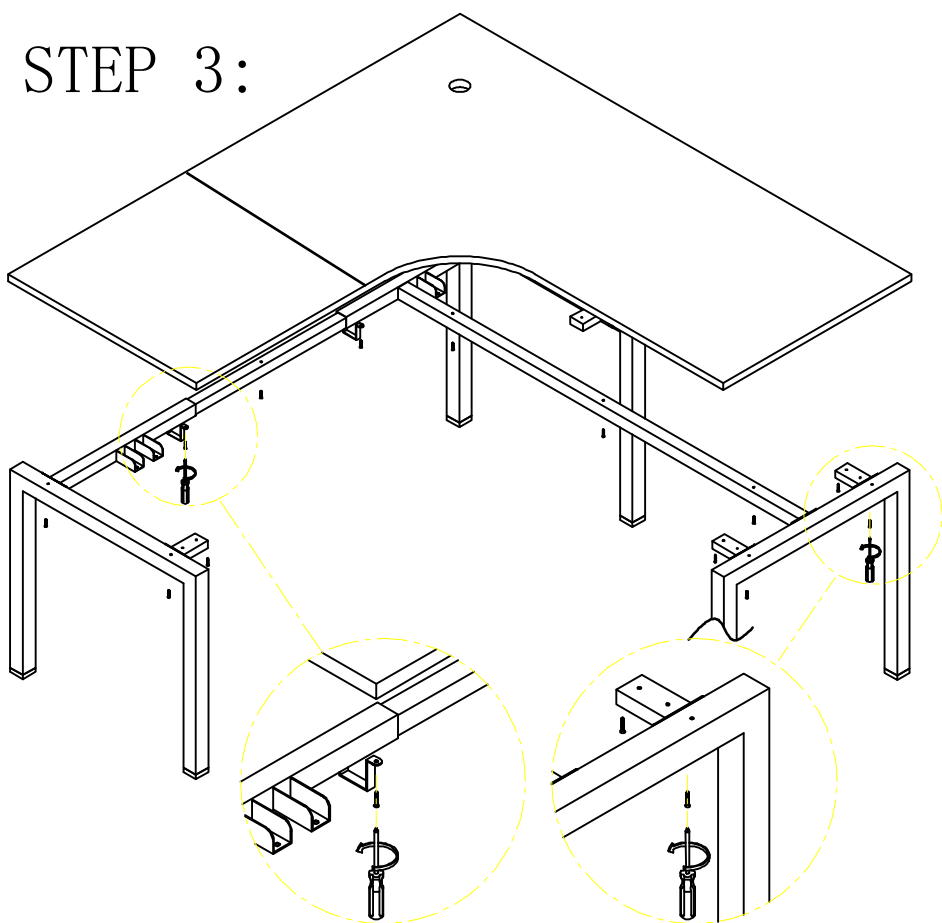
adjust the length  
you need



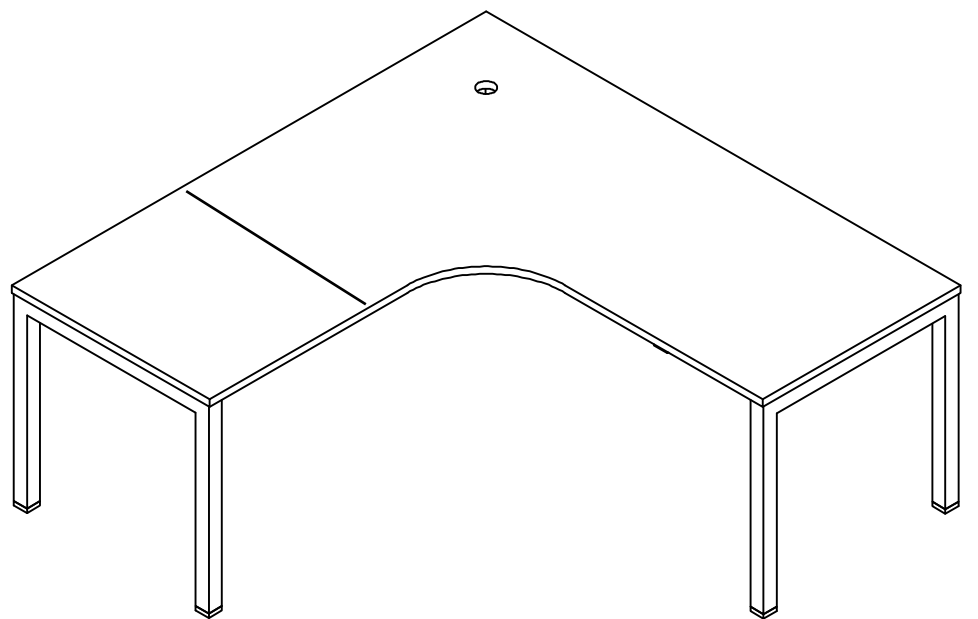
STEP 2:



STEP 3:



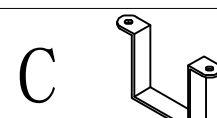
STEP 4:



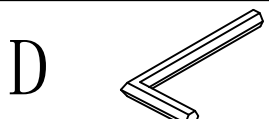
round bolt  
\*36PCS



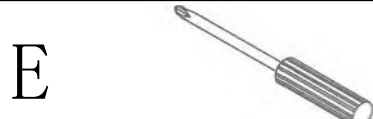
tapping screw  
\*22PCS



U shape connector  
\*2PCS



Allen Key  
\*1PCS



Screw Driver  
Not Supplied

