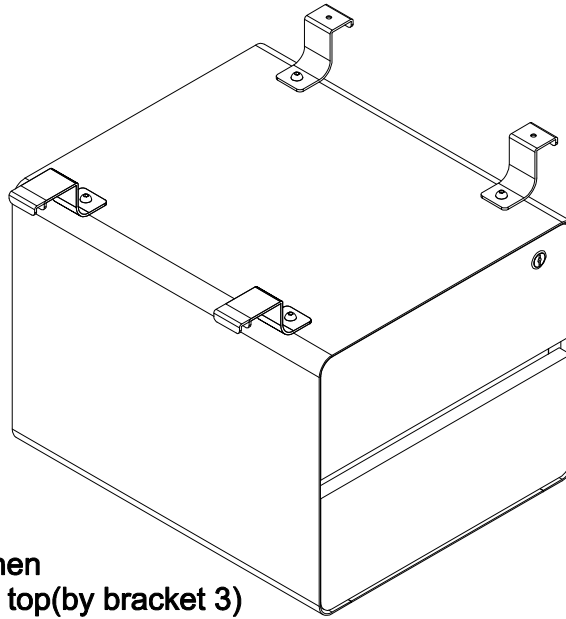





Assembly Instructions

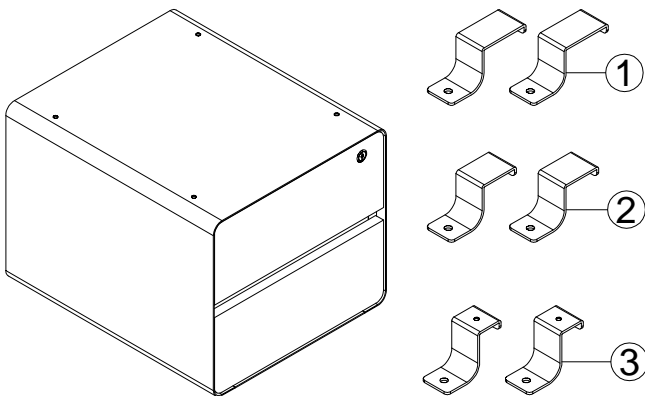
MODEL NO: HP2D



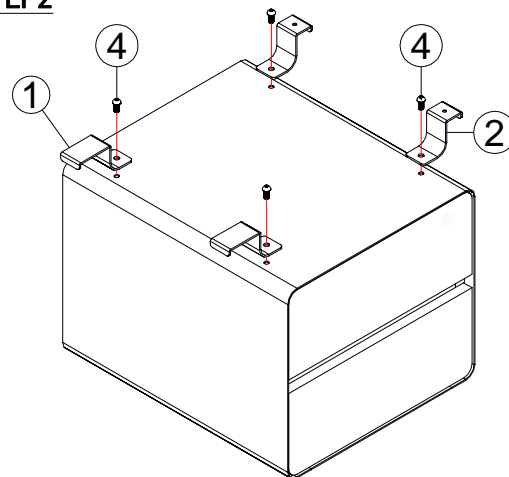
Hang pedestal to the leg first (by bracket 1 or bracket 2), then connect the pedestal to the table top (by bracket 3)

Bolt Screw	8x16	
		4
	4PCS	
Wood Screw	5x20	
		5
	2PCS	
Allen Wrench	M5	
		6
	1PCS	

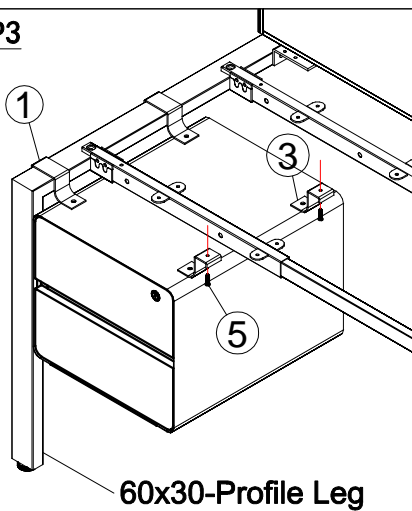
STEP1



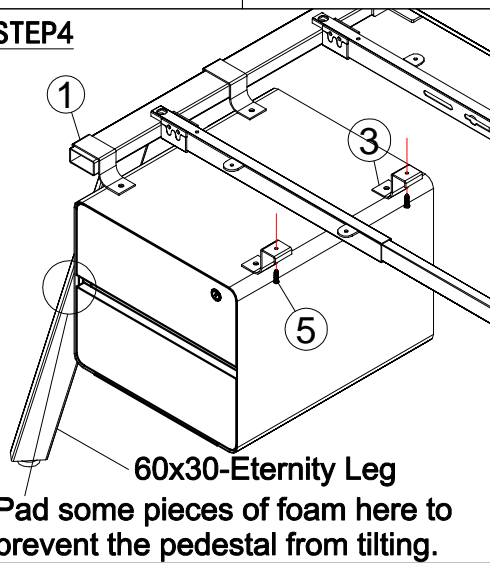
STEP2



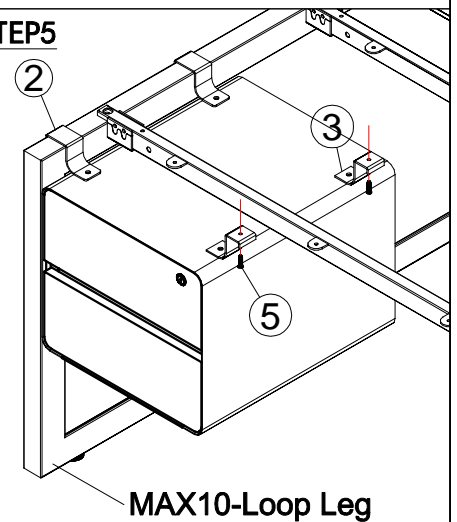
STEP3



STEP4



STEP5



IMPORTANT NOTE:

- Place all laminated parts on a clean and smooth surface such as a rug or carpet to avoid the parts from being scratched.
 - Check to be sure that you have all parts and hardware.
 - Remove all wrapping materials, including staples & packing straps before you start to assemble.
 - Don't tighten all screws/bolts until all completely assembled.
- Keep all hardware parts out of reach of children

