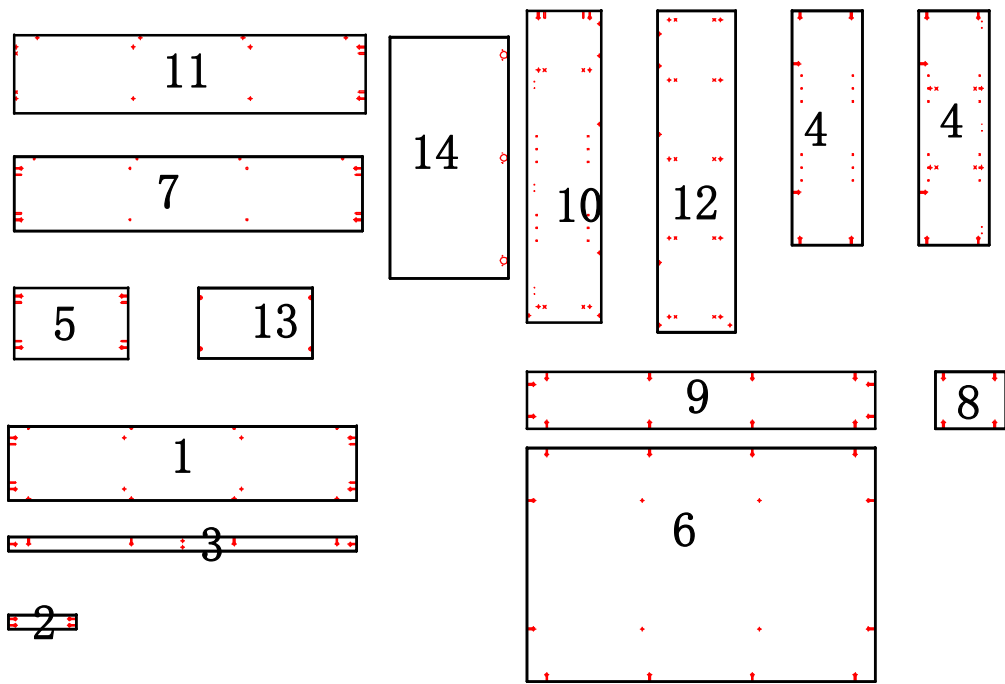


Product Name: Hamilton Cupboard

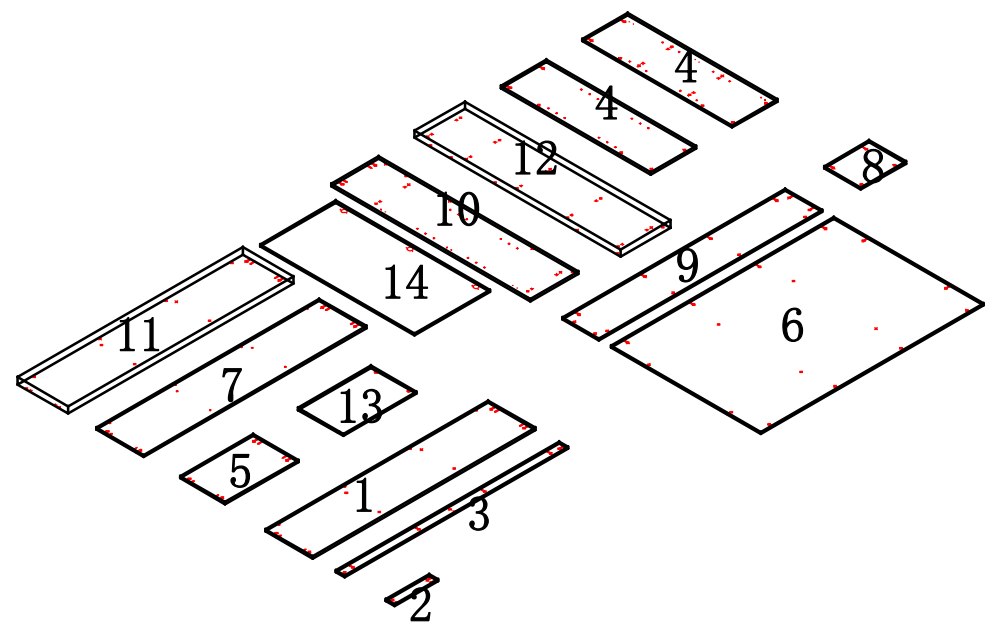
Product Code: HAM-CB18



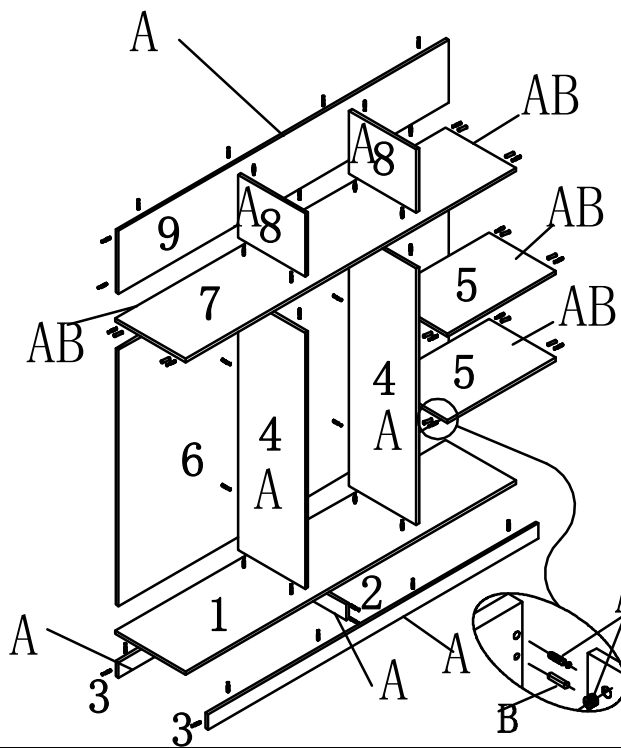
STEP 1:



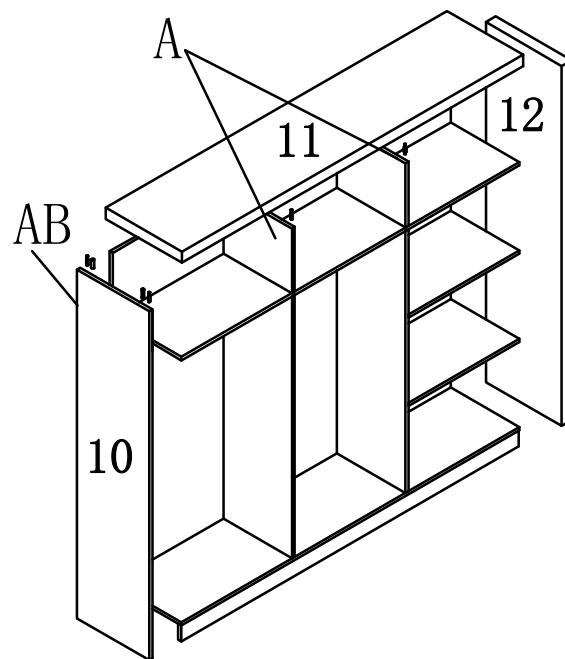
STEP 2:



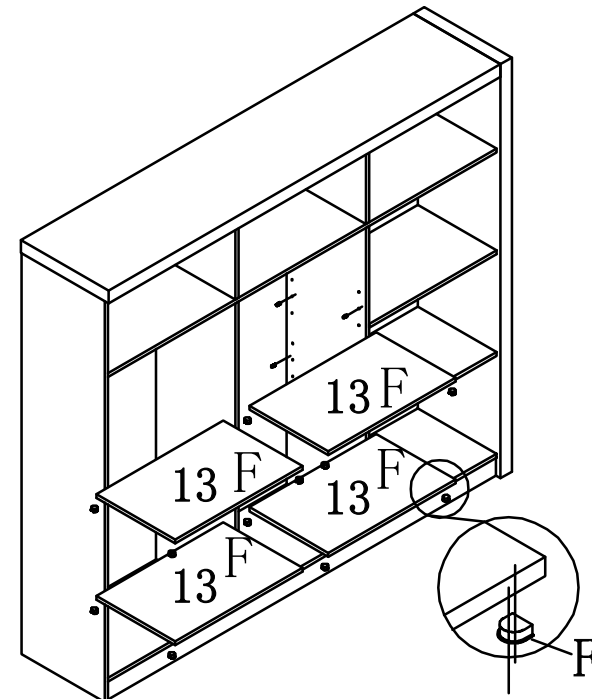
STEP 3:



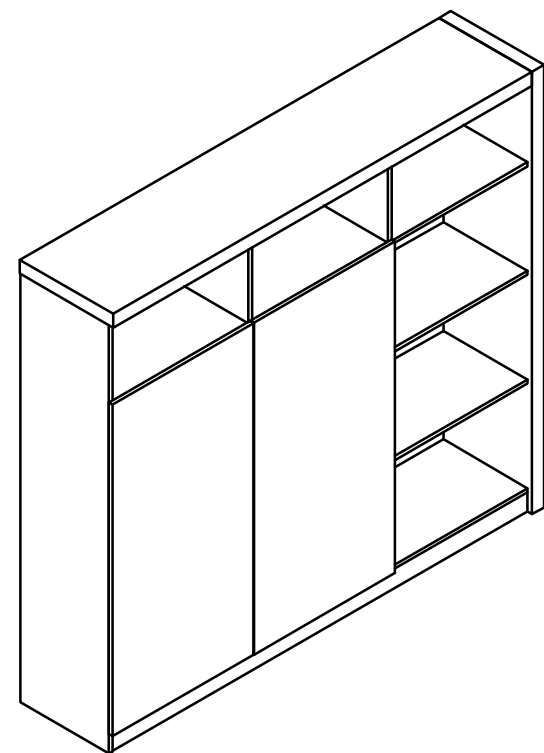
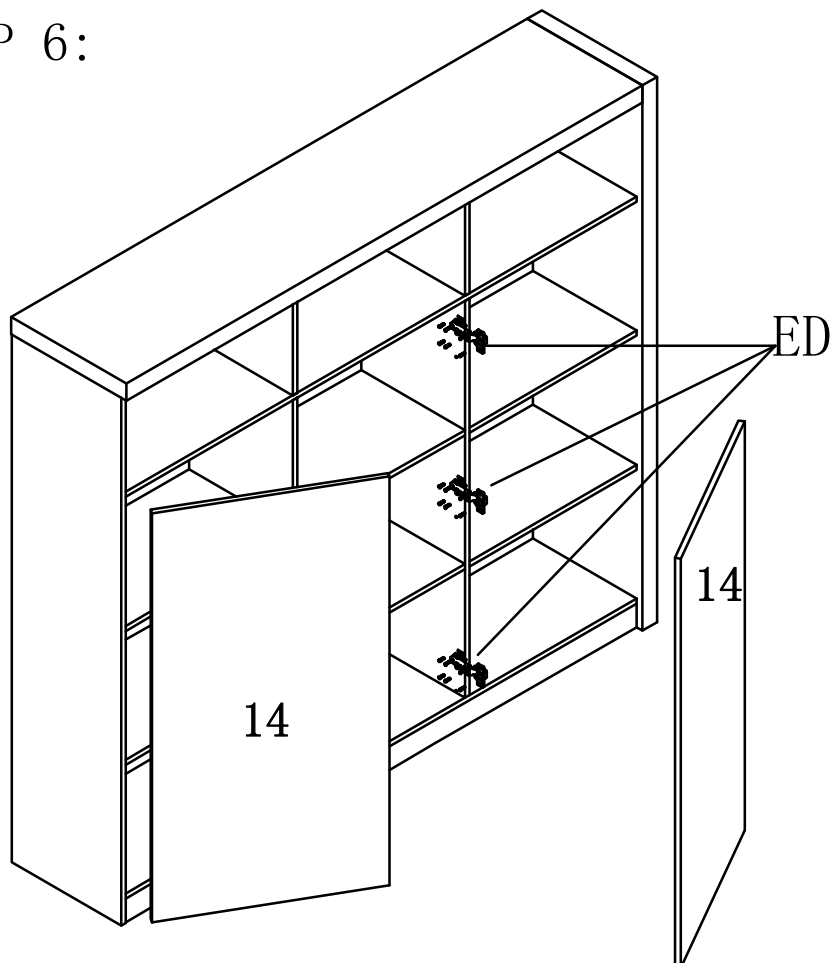
STEP 4:


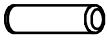

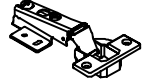





STEP 5:



STEP 6:



<p>A  Pin + cam X 81pcs</p>	<p>B  Dowel X 21pcs</p>	<p>C  sticker X 2+53pcs</p>	<p>D  hinges X 6pcs</p>
<p>E  tapping screw X 37pcs</p>	<p>F  shelf support X 21pcs</p>	<p>G  Screw Driver Not supplied</p>	