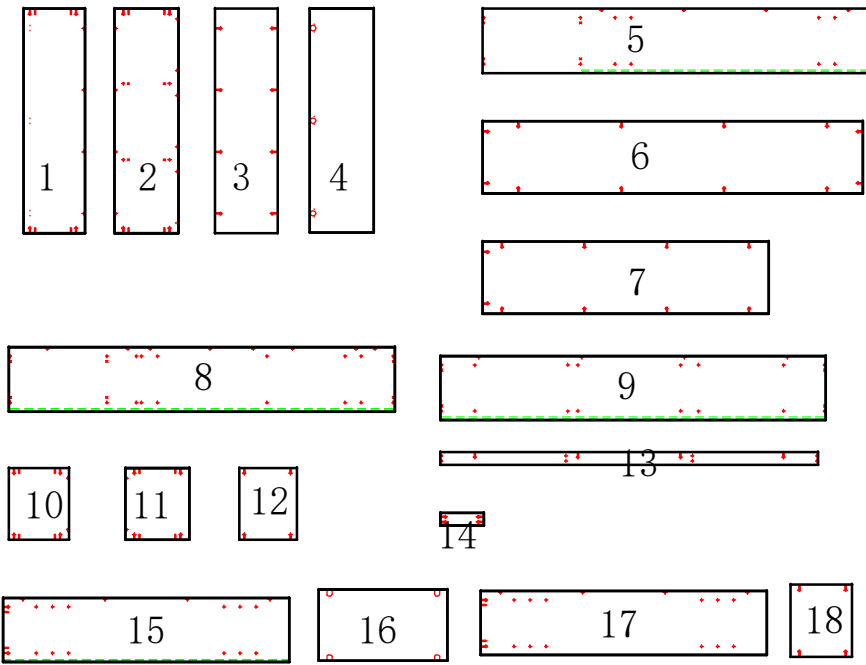


Product Name: Hamilton Extended Wall Unit

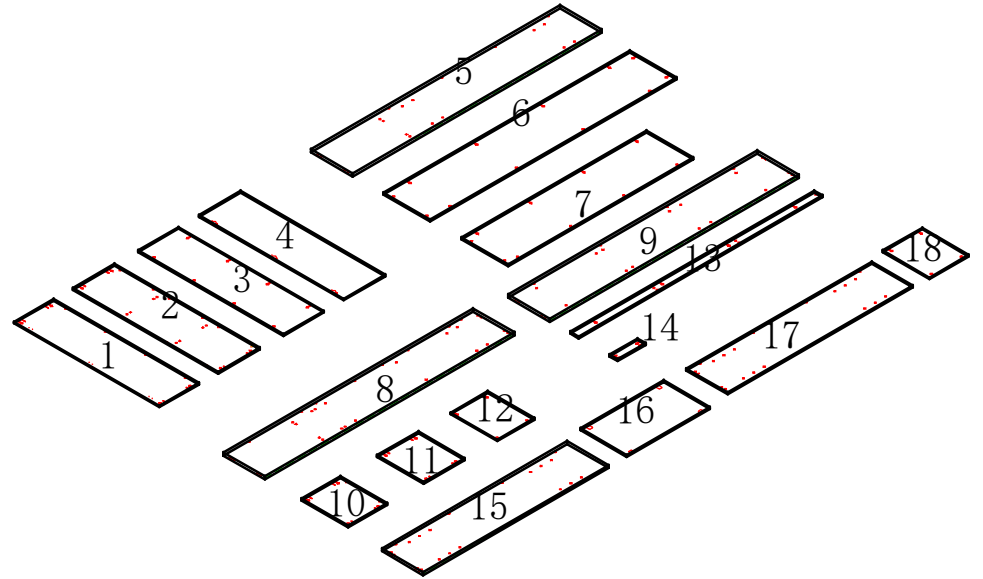
Product Code: HAM-WU24



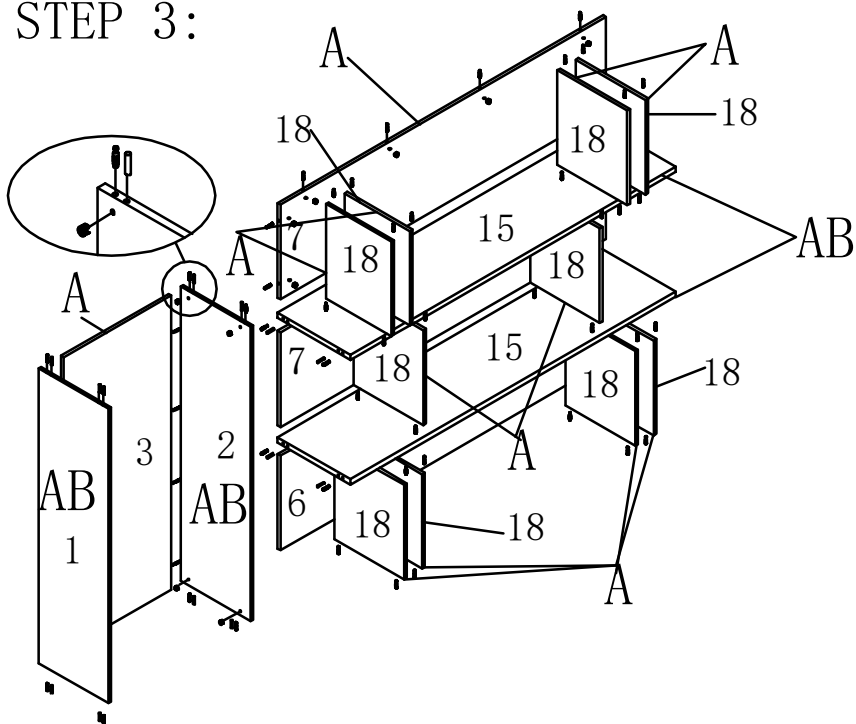
STEP 1:



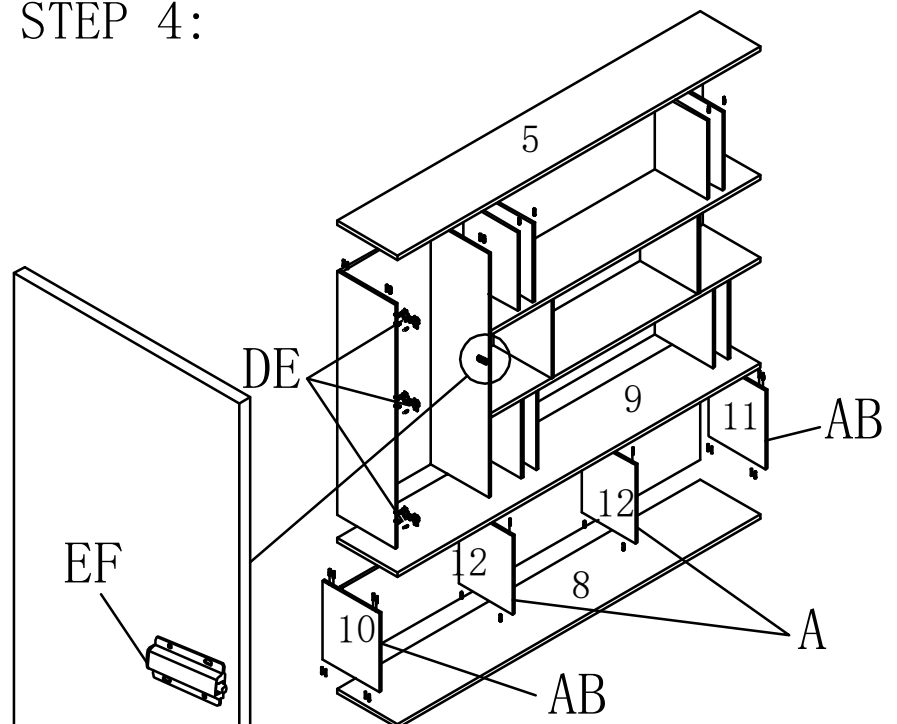
STEP 2:



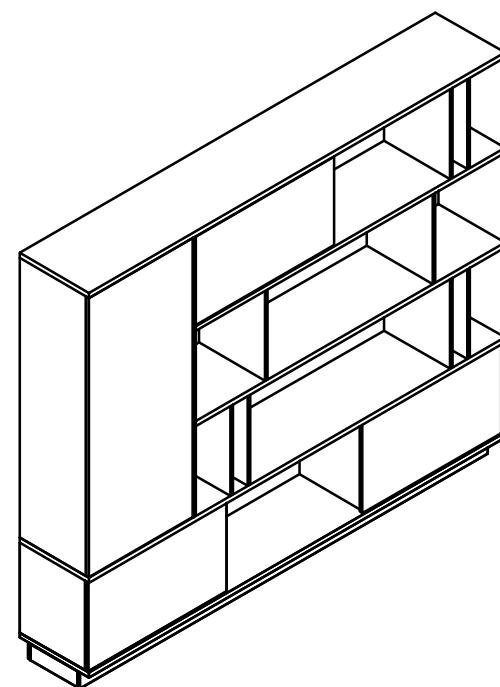
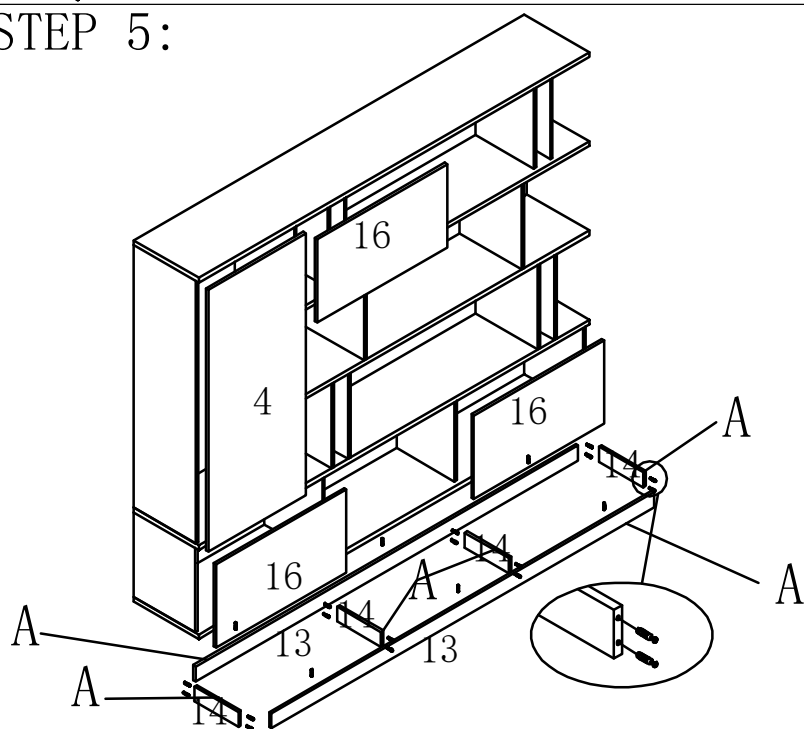
STEP 3:




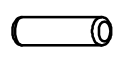
STEP 4:



STEP 5:



A  Pin + cam X 143pcs

B  Dowel X 21pcs

C  sticker X 119pcs

D  hinges X 3pcs

E  tapping screw 4*16X 26pcs 4*30X 6pcs

F  push latch X 1pcs

G  Screw Driver Not supplied

