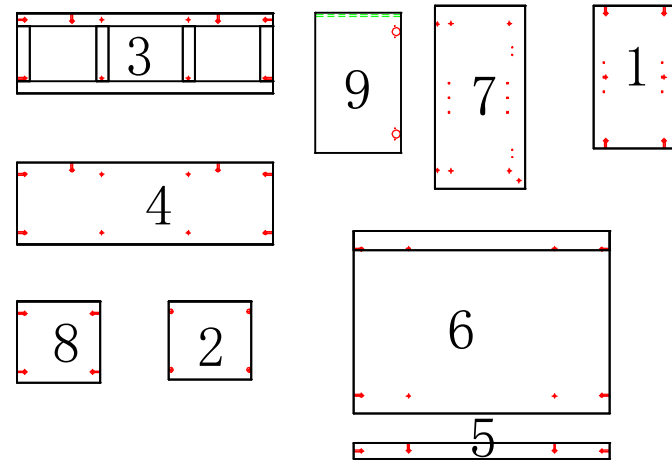


Product name: Hamilton Swing Door Credenza

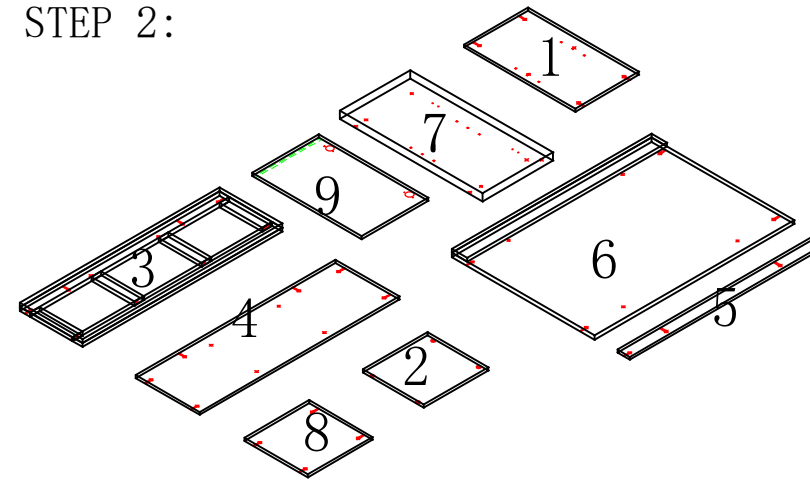
Product Code: HAM-Z12



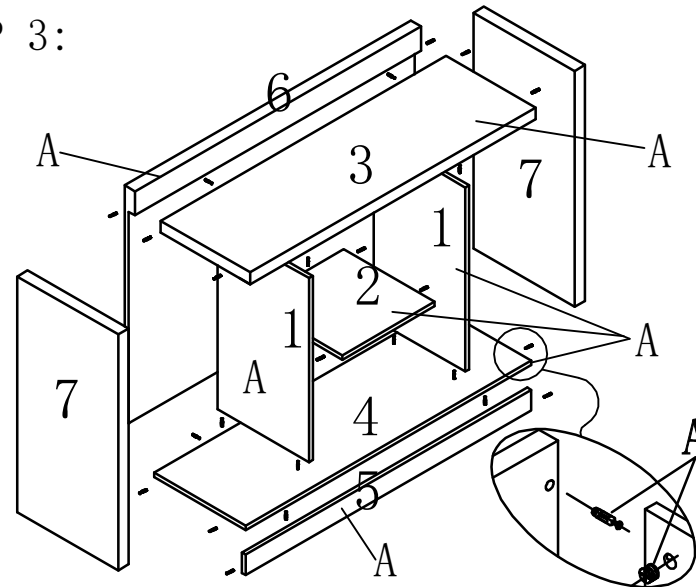
STEP 1:



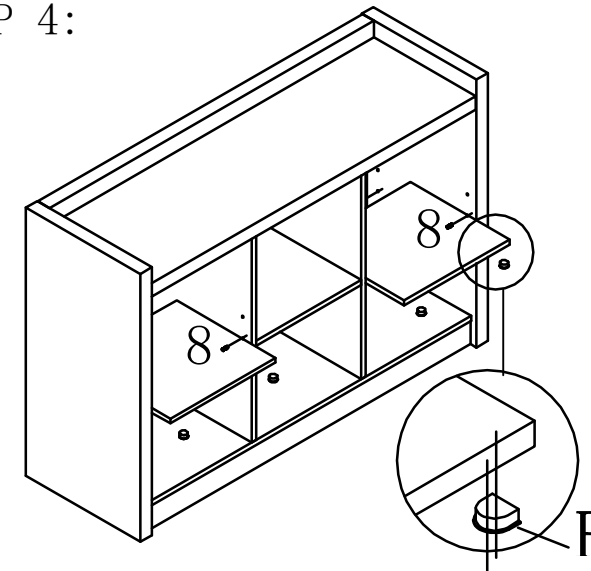
STEP 2:



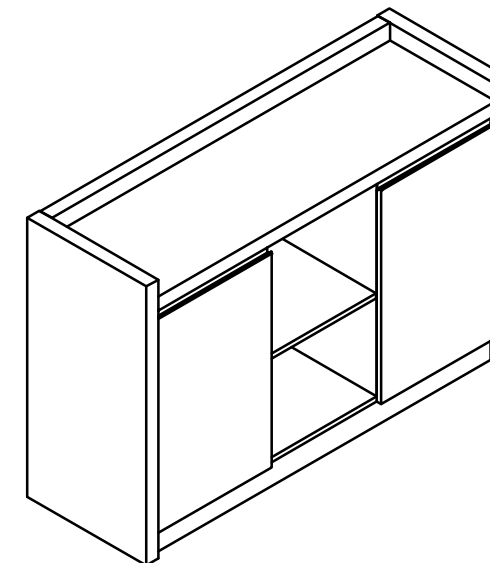
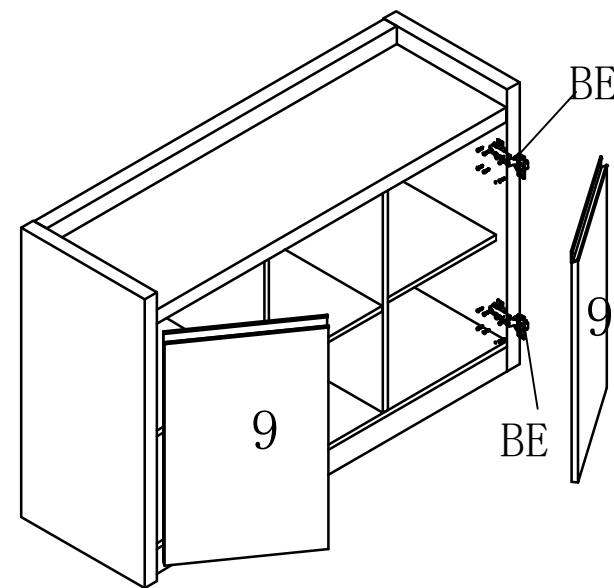
STEP 3:









STEP 4:



STEP 5:



<p>A  Pin + cam X 33pcs</p>	<p>B  hinges X 4pcs</p>	<p>C  sticker X 23pcs</p>	
<p>E  tapping screw X 25pcs</p>	<p>F  shelf support X 9pcs</p>	<p>G  Screw Driver Not supplied</p>	