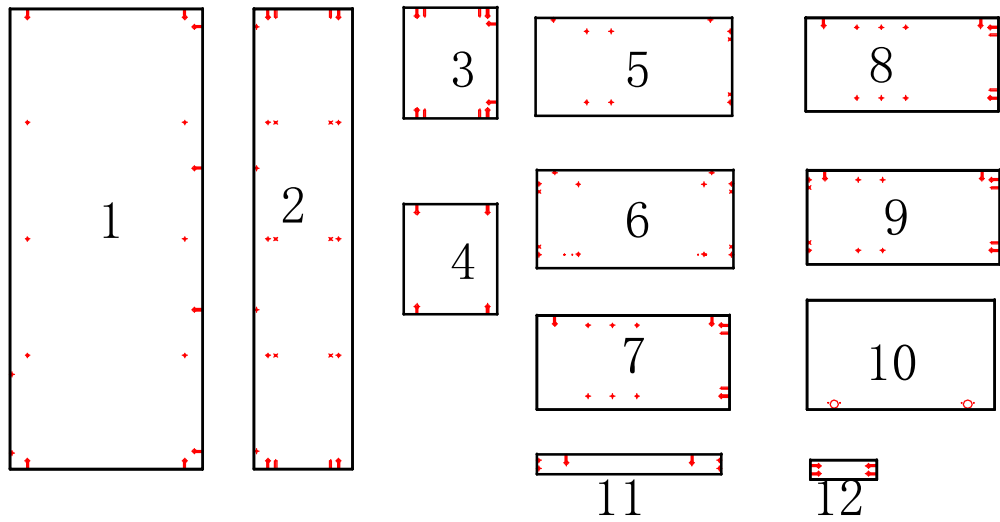
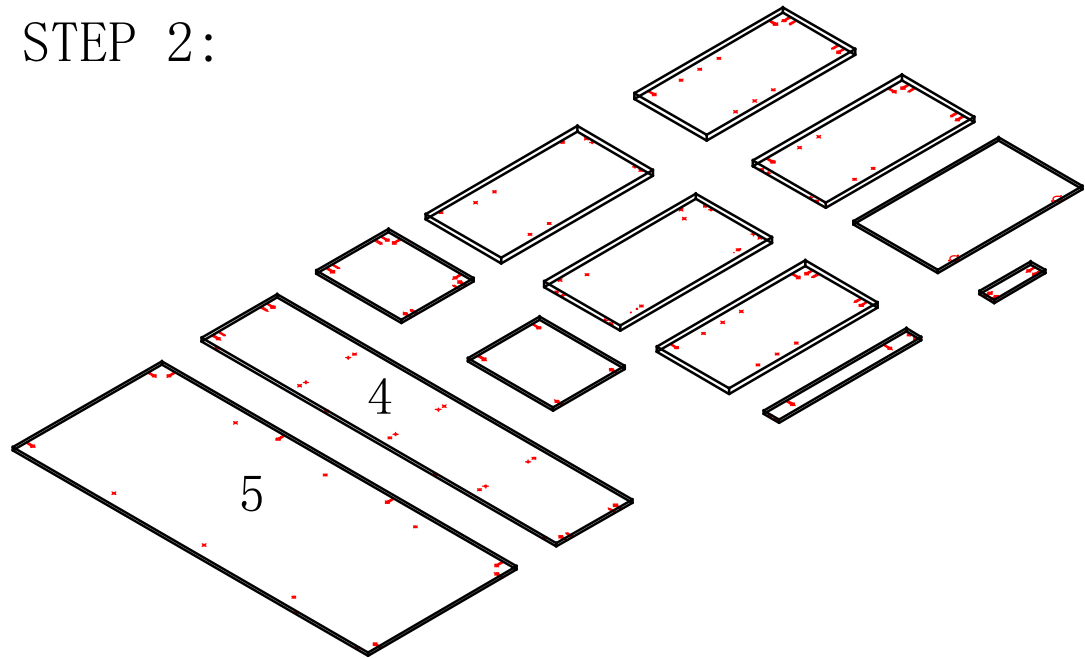


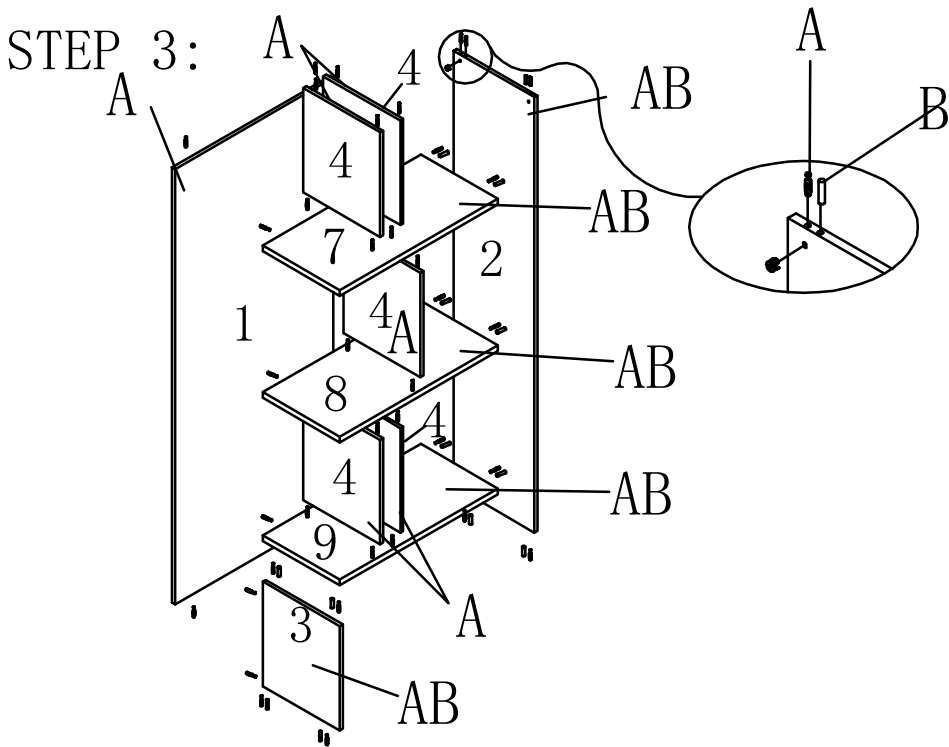
STEP 1:



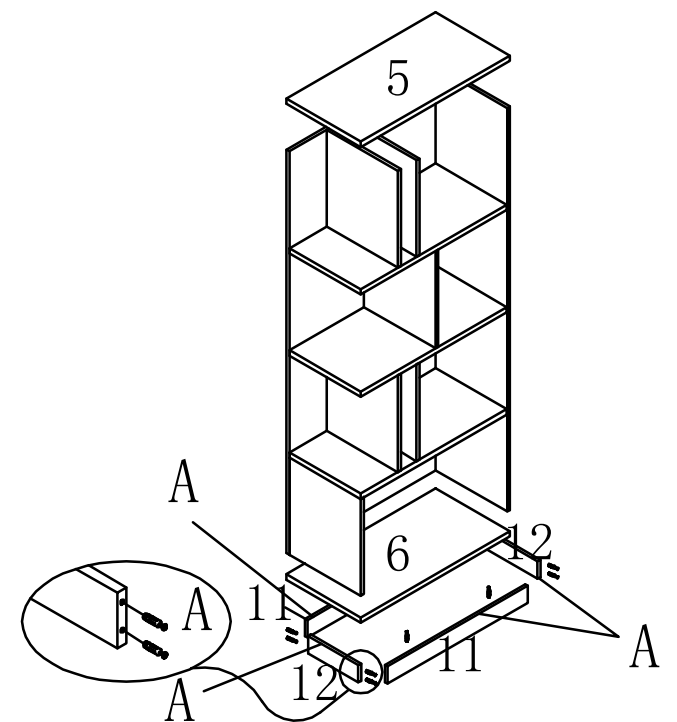
STEP 2:



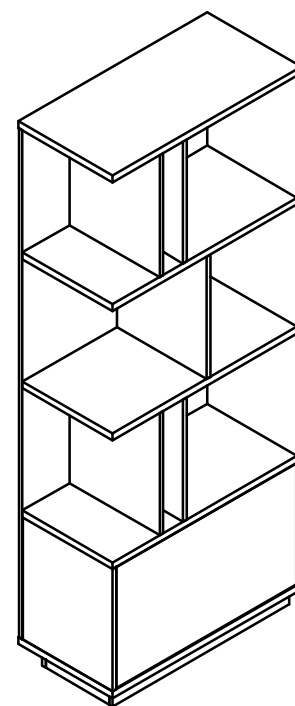
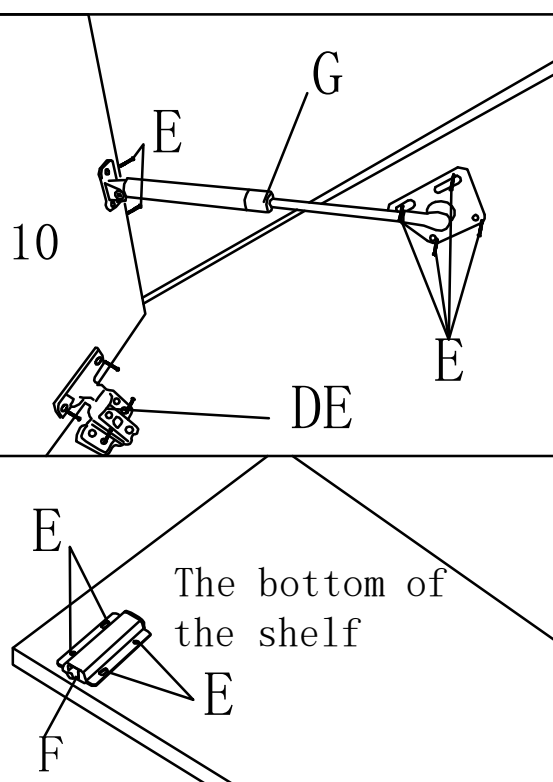
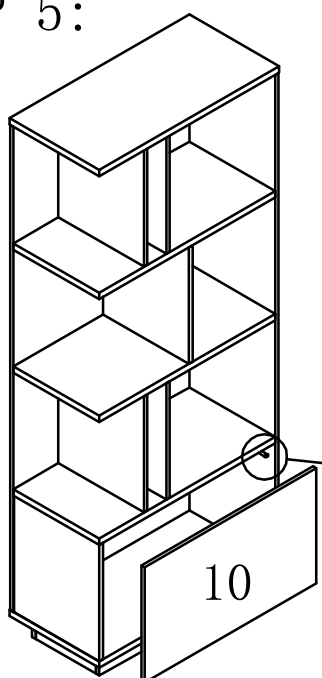
STEP 3:



STEP 4:



STEP 5:



A Pin + cam
X 63pcs

B Dowel
X 15pcs

C sticker
X 51pcs

D hinges
X 2pcs

E tapping screw
X 25pcs

F push latch
X 1pcs

G gas lift
X 2pcs

H Screw Driver
Not supplied