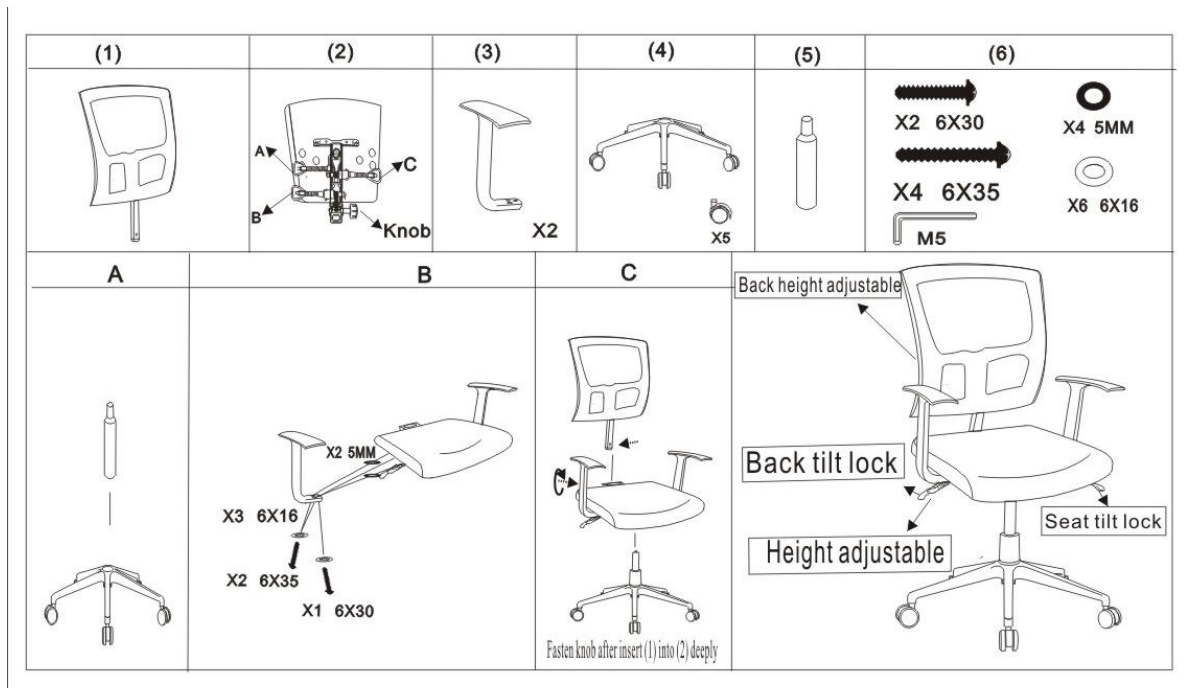


Product Code: HAROLD
 Product Name: Harold Office Chair



User Information

Back height adjustable: Turn knob to adjust back height.

Height adjustable: Lift lever A.

Back tilt / lock: Lever B up / down.

Seat tilt / lock: Lever C up / down.

CHAIR CARE

- *Clean regularly.
- *Use leather cleaner where leather is applicable.
- *Use wet towel where is applicable.
- *Test on concealed area before proceeding.

WARNING

- *Do not use this chair unless all bolts/knob are tightened and this chair is assembled firmly and properly.
- *This chair is for one person to sit on. Do not stand on the chair.
- *Do not touch mechanism except lever handle/knob when people is sitting in.
- *Only trained personel replace or repair cylinder.
- *Failure to follow these warnings could result in serious injury.

