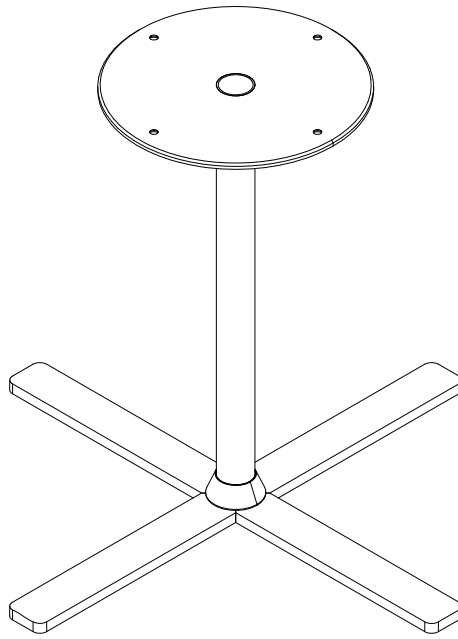
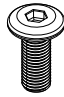
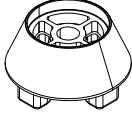
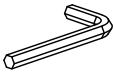



# Assembly Instructions

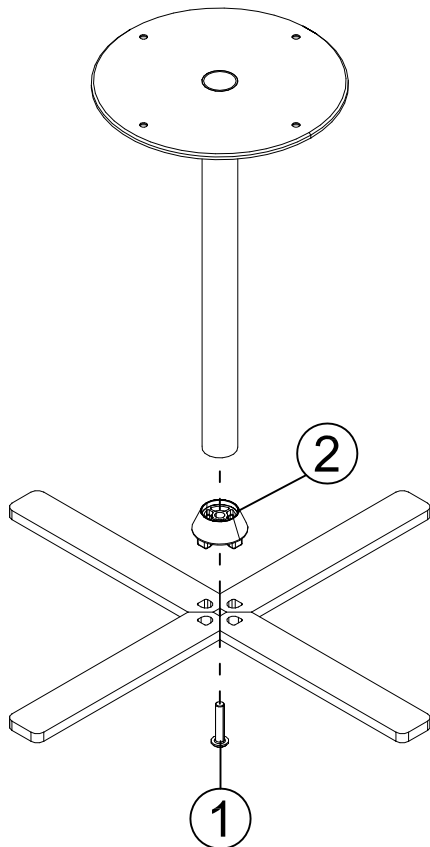
MODEL NO: **KEPPEL-STF**



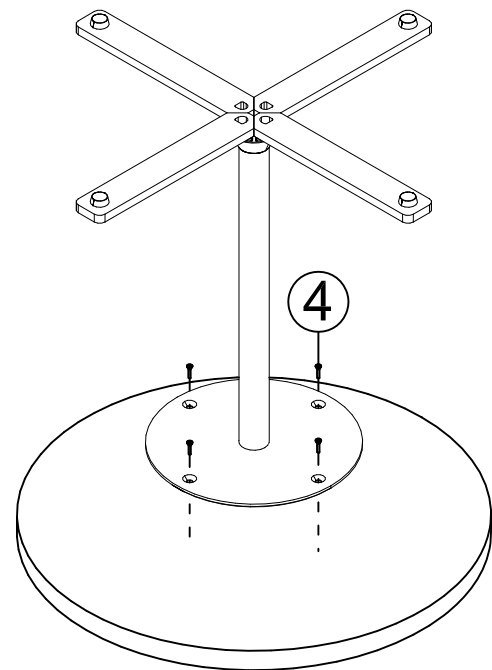
A

Bolt Screw	8×40	
		1
		1PCS
Conical aluminum parts		
		2
		1PCS
Allen Wrench	M5	
		3
		1PCS
Wood Screw	4×20	
		4
		4PCS

## STEP1



## STEP2



### IMPORTANT NOTE:

- Place all laminated parts on a clean and smooth surface such as a rug or carpet to avoid the parts from being scratched.
- Check to be sure that you have all parts and hardware.
- Remove all wrapping materials, including staples & packing straps before you start to assemble.
- Don't tighten all screws/bolts until all completely assembled.
- Keep all hardware parts out of reach of children

