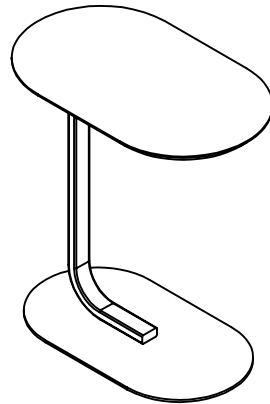




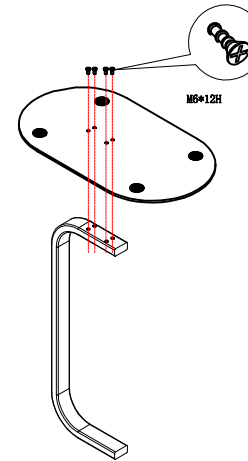
# Assembly Instructions

MODEL NO: SER-STF

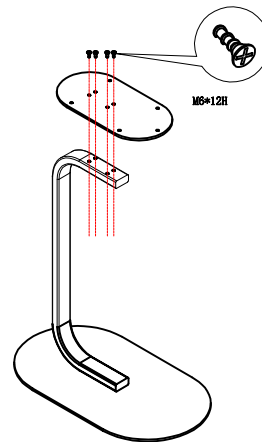


	M6*12H 8pcs
	M5*20H 5pcs

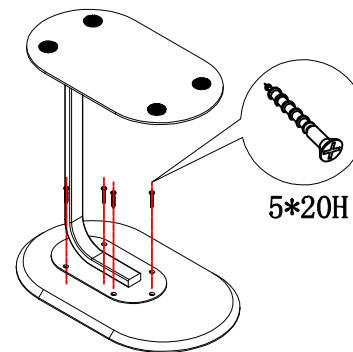
## STEP1



## STEP2



## STEP3



### IMPORTANT NOTE:

Place all laminated parts on a clean and smooth surface such as a rug or carpet to avoid the parts from being scratched.  
Check to be sure that you have all parts and hardware.  
Remove all wrapping materials, including staples & packing straps before you start to assemble.  
Don't tighten all screws/bolts until all completely assembled.  
Keep all hardware parts out of reach of children

