



ASSEMBLY INSTRUCTIONS:

Product Code : TITAN-FT

Product Name: Titan Flip Top Table

TIME REQUIRED:

25 minutes

TOOLS REQUIRED:

Screwdriver, Electric Drill, Pencil, Measuring tape/Ruler

*Tools are not included.

SKILL REQUIRED:

Easy ●●●●○ Hard

The Assembly Skill Rating is a 5-point system that shows the degree of effort needed in assembling a specific product. With 1 being easy for the average person and 5 requiring an expert. For most products, two persons are recommended.

NOTE

- As this is a commercial product, some intermediate skills may be required.
 - No pre-drill holes or markings are provided on our table or desk tops.
 - Please check you have all hardware before assembling.
- If you are missing any hardware, please contact your Danny reseller. Please ensure you have the name of the item, required hardware part and quantity.
 - Please retain your receipt as proof of purchase to validate your warranty.
- Assemble on a clean, flat, smooth surface such as a rug or carpet to avoid parts from being scratched.
 - Remove all wrapping materials, including staples and packing straps before you start to assemble
 - Keep all hardware parts out of reach of children.

CAUTION

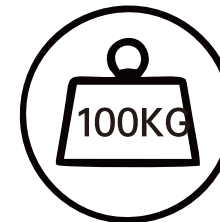
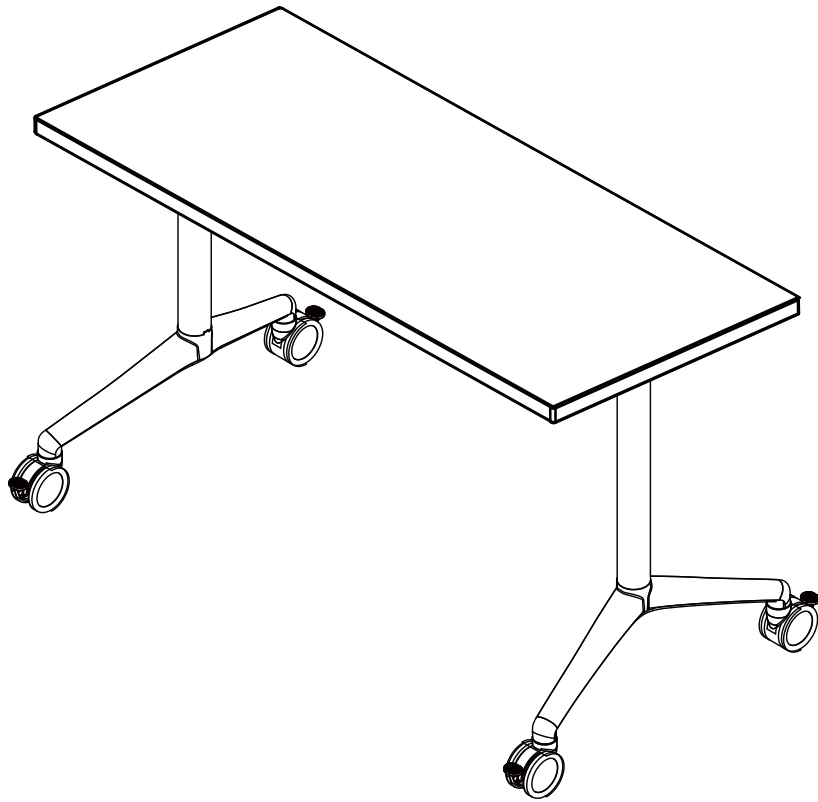
- Heavy product. Do not attempt to lift or move without help
- Do not tighten screws and bolts until completely assembled.
- Do not use this product unless all bolts and screws are firmly secured and tightened.

WARNING

- If parts are missing, broken, damaged or worn stop using the product until all repairs are made.
 - Failure to follow these warnings could result in serious injury.

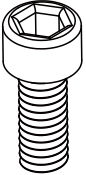
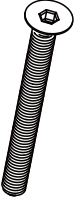



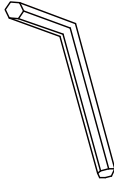
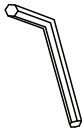

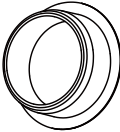


ASSEMBLY INSTRUCTIONS

MODEL: TITAN-FT
Titan Flip Top Table



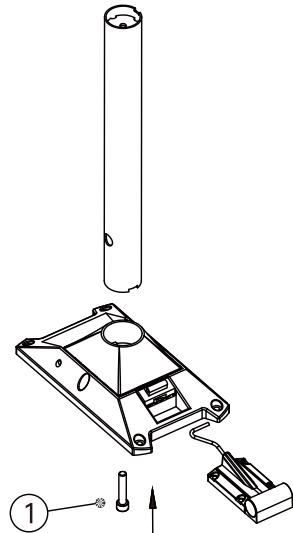
WEIGHT
CAPACITY

PARTS:

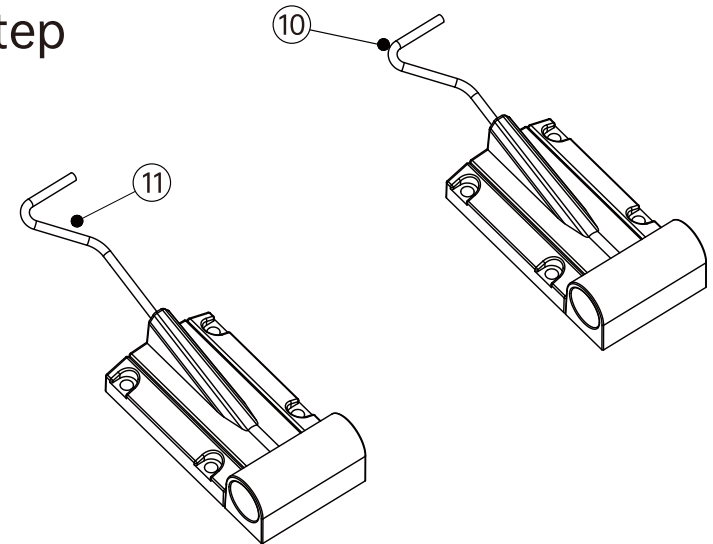
① 4PCS M10*60H	② 2PCS M8*90H	③ 12PCS M5*30H	④ 8PCS M5*20H	⑤ 4PCS	⑥ 1PCS 8MM	⑦ 1PCS 5MM	⑧ 1PCS M14	⑨ 2PCS	⑩ 2PCS	⑪ 2PCS
										

INSTALLATION :

First Step



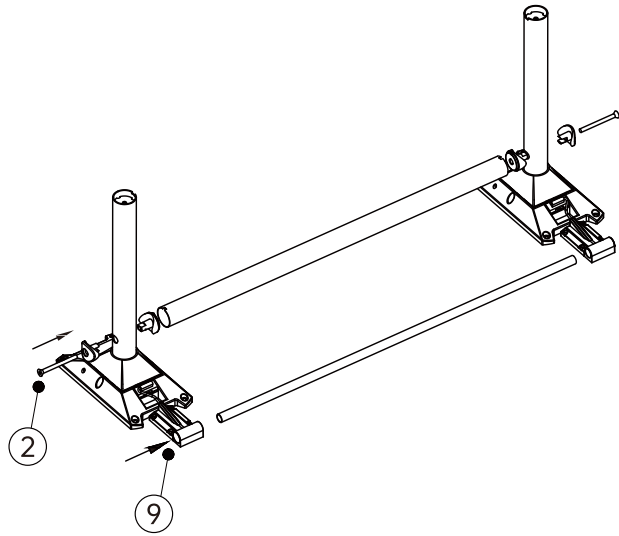
Second Step



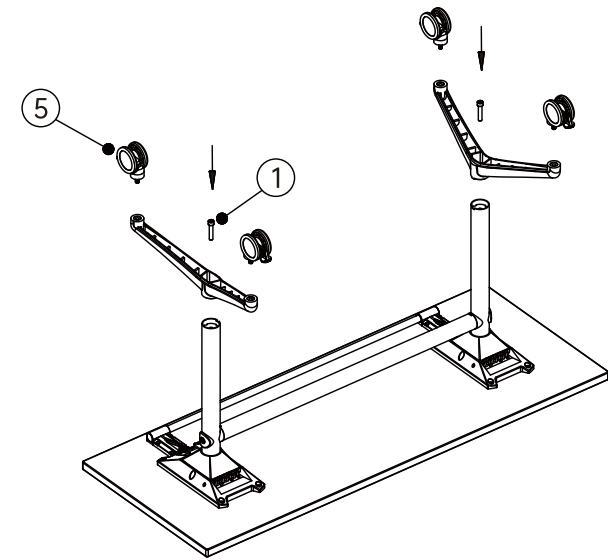
Remarks:

Long hook: to match the 800-900mm wide desktop;
 Short hook: to match the 600-800mm wide desktop;

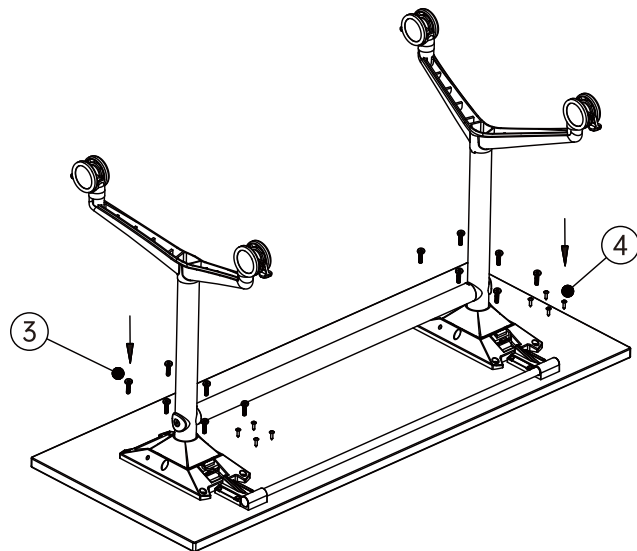
Third Step



The Fourth Step



The Fifth Step



The Table Is Installed

