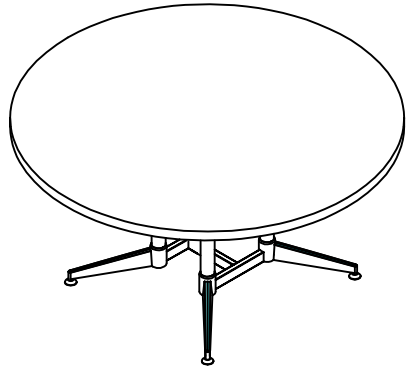


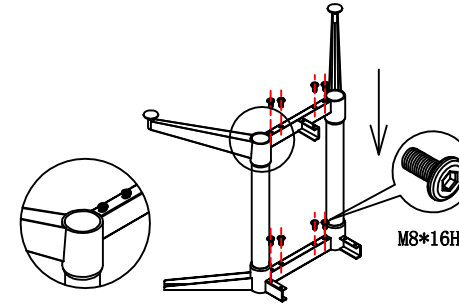
Assembly Instructions

MODEL NO: TULSA-LTF



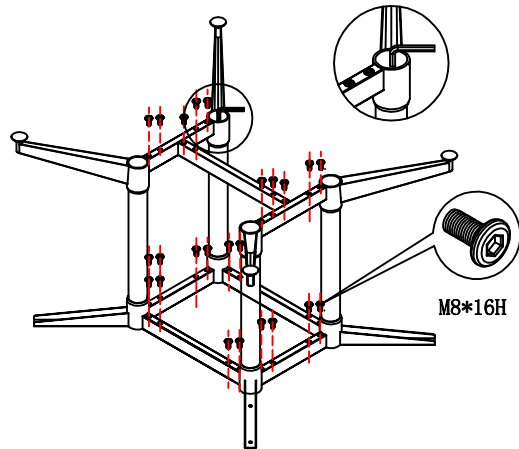
| | |
|--|--------------|
| | M8*16H 28pcs |
| | M5*20H 8pcs |
| | M12 1pcs |
| | M6 1pcs |
| | M6 1pcs |
| | ø16 1pcs |

STEP1

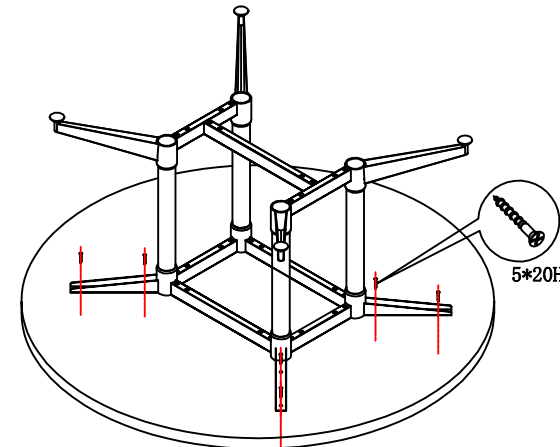


Slide Both The Bottom And Top Cross Bar Into The Left & Right Hand Side End Uprights - Attach Cross Bars With M8 Bolts (Do Not Completely Tighten Bolts)

STEP2



STEP3



IMPORTANT NOTE:

Place all laminated parts on a clean and smooth surface such as a rug or carpet to avoid the parts from being scratched.

Check to be sure that you have all parts and hardware.

Remove all wrapping materials, including staples & packing straps before you start to assemble.

Don't tighten all screws/bolts until all completely assembled.

Keep all hardware parts out of reach of children

