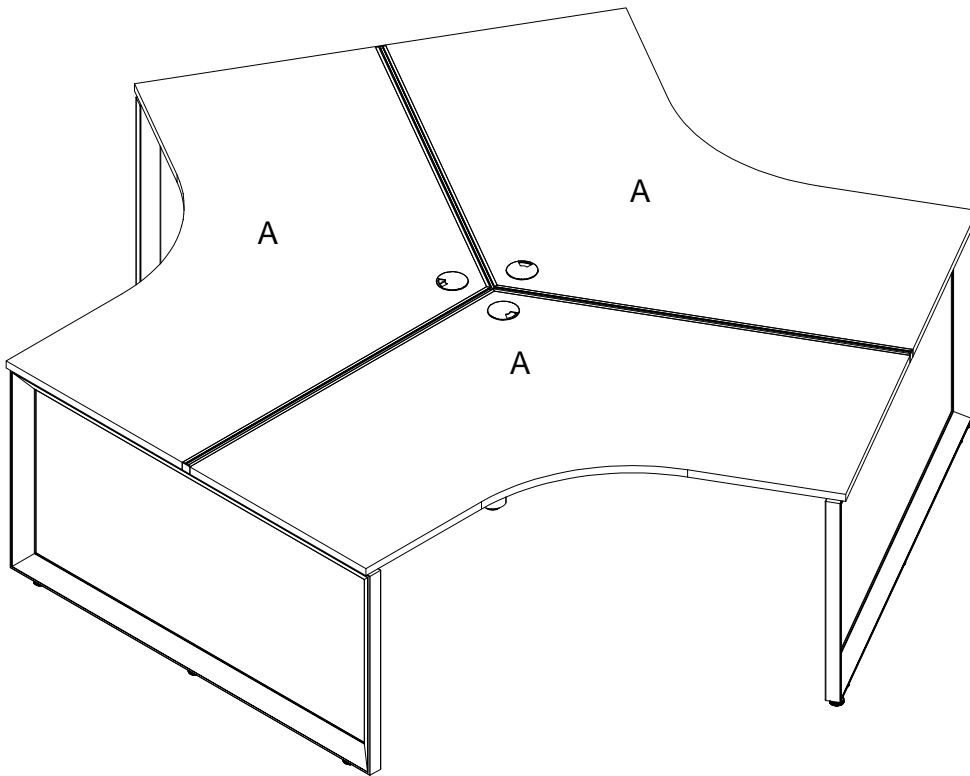


# Assembly Instructions

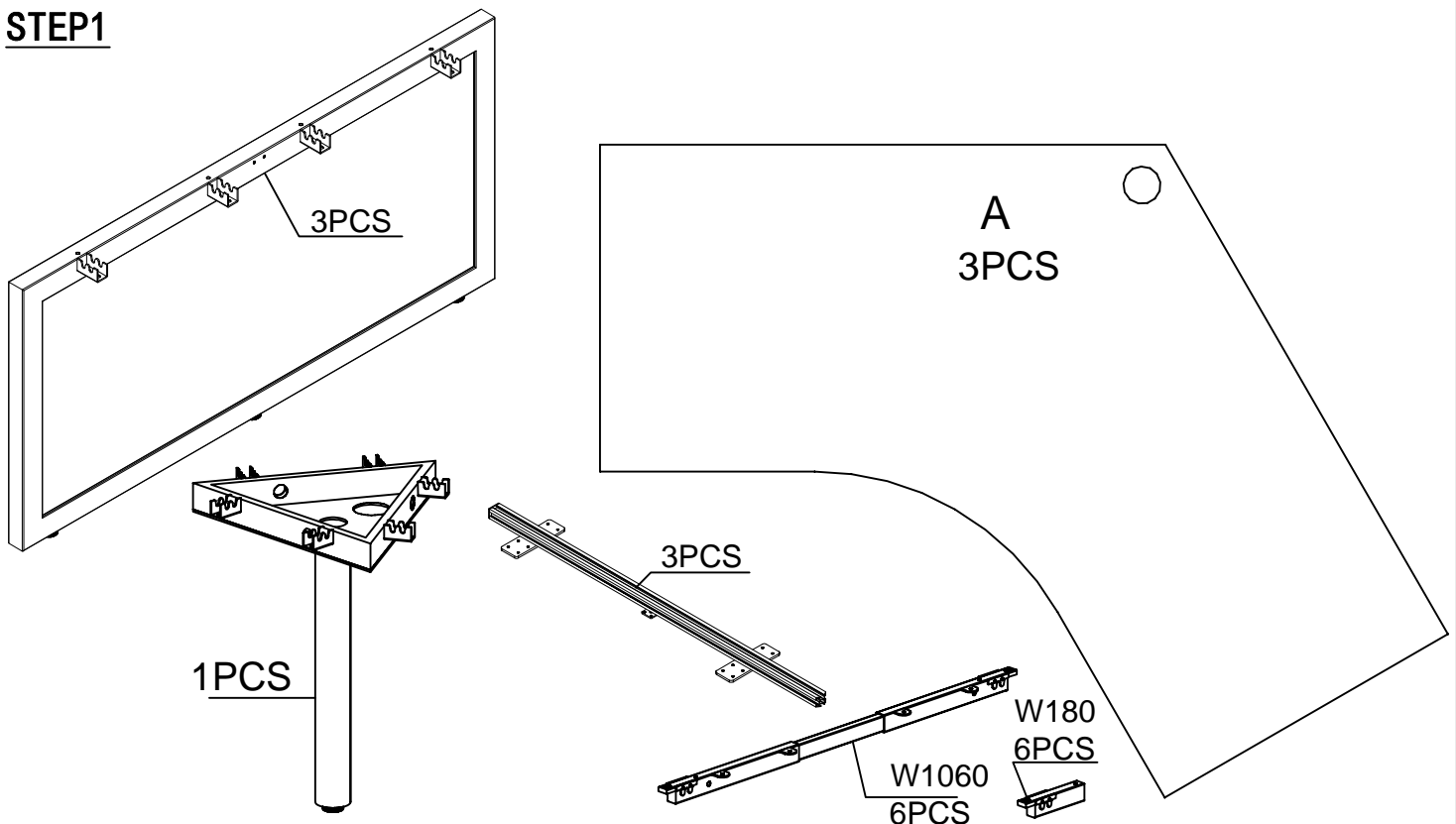
MODEL NO: Avenger Mars 120 Degree Workstation - Loop Leg



Screw	8×16	M5
	1	5
	66PCS	1PCS
Screw	5×20	M4
	3	6
	102PCS	1PCS

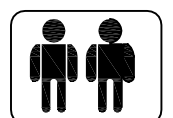


## STEP 1



### IMPORTANT NOTE:

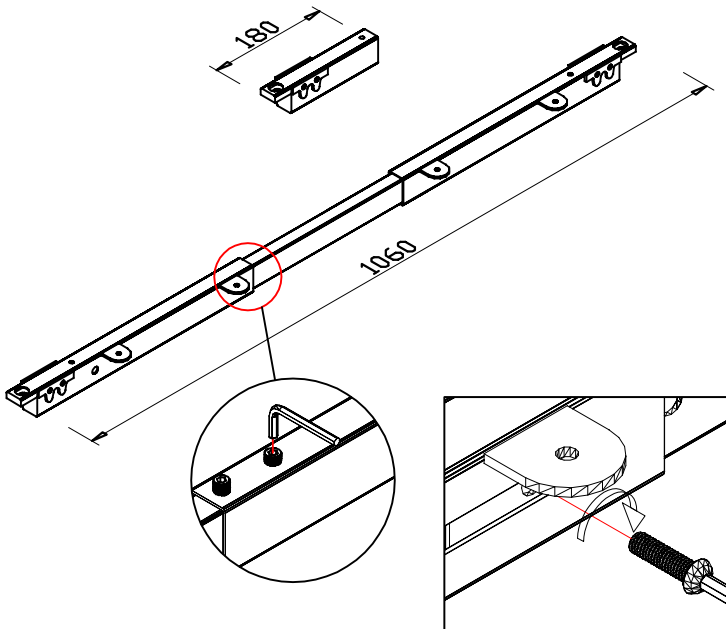
- Place all laminated parts on a clean and smooth surface such as a rug or carpet to avoid the parts from being scratched.
- Check to be sure that you have all parts and hardware.
- Remove all wrapping materials, including staples & packing straps before you start to assemble.
- Don't tighten all screws/bolts until all completely assembled.
- Keep all hardware parts out of reach of children



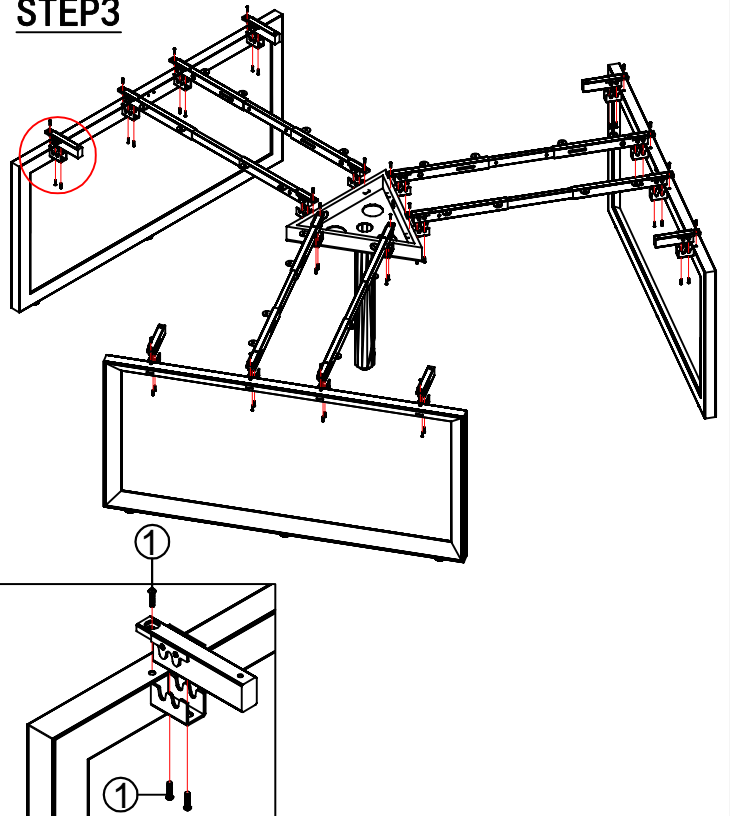
# Assembly Instructions

MODEL NO: Avenger Mars 120 Degree Workstation – Loop Leg

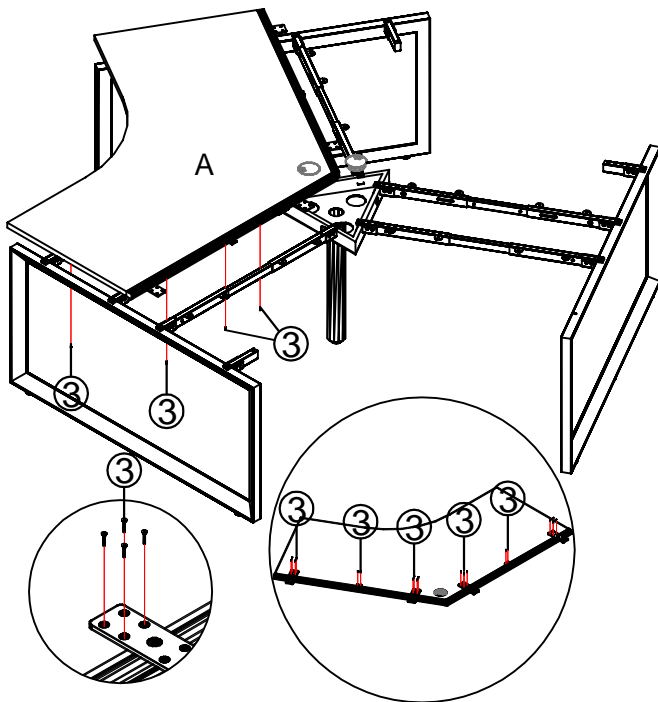
## STEP 2



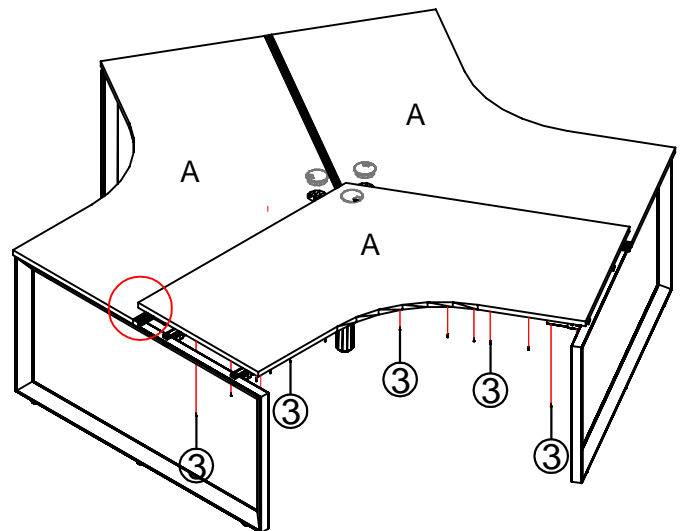
## STEP 3



## STEP 4

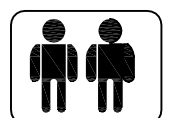


## STEP 5



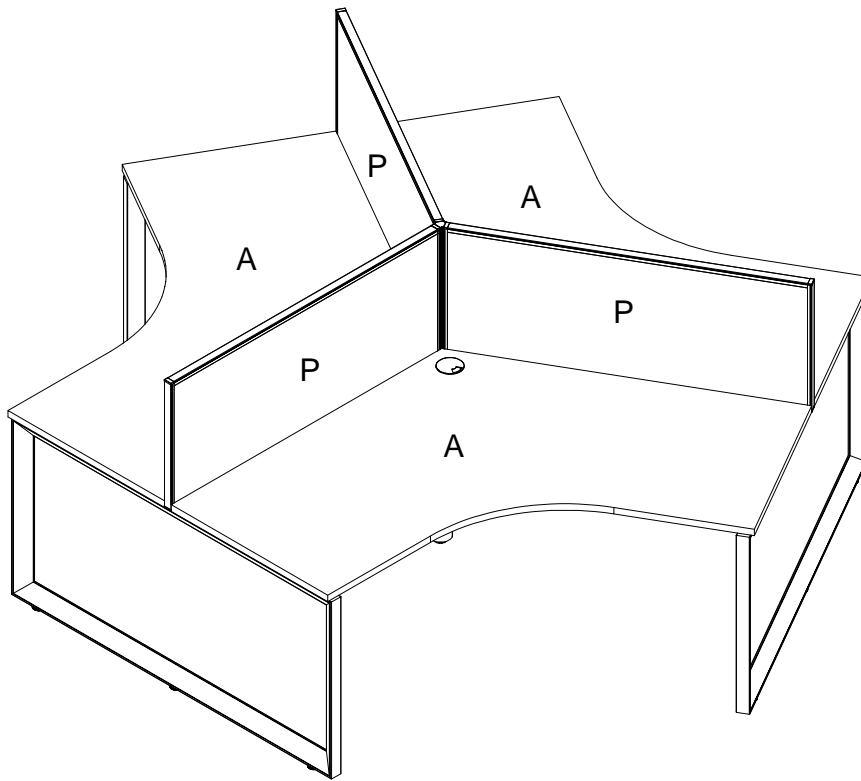
### IMPORTANT NOTE:

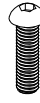
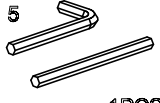

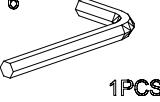

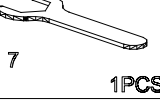
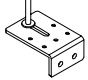
- Place all laminated parts on a clean and smooth surface such as a rug or carpet to avoid the parts from being scratched.
- Check to be sure that you have all parts and hardware.
- Remove all wrapping materials, including staples & packing straps before you start to assemble.
- Don't tighten all screws/bolts until all completely assembled.
- Keep all hardware parts out of reach of children



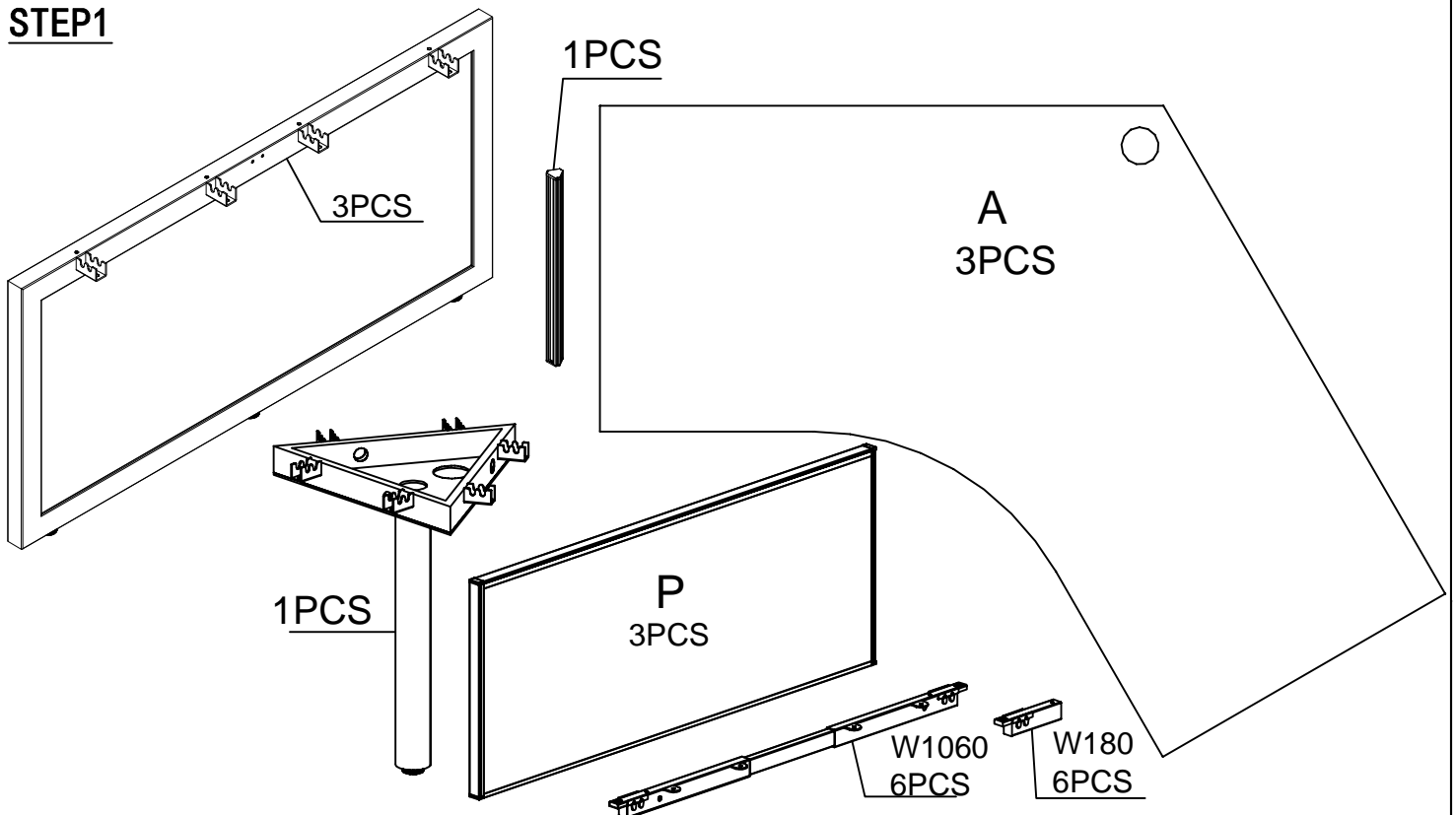
# Assembly Instructions

MODEL NO: Avenger Mars 120 Degree Workstation - Loop Leg



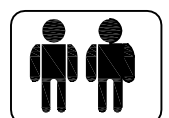
<p>Screw 8×16</p>  <p>1</p> <p>66PCS</p>	<p>M5</p>  <p>5</p> <p>1PCS</p>
<p>Screw 6×16</p>  <p>2</p> <p>12PCS</p>	<p>M4</p>  <p>6</p> <p>1PCS</p>
<p>Screw 5×20</p>  <p>3</p> <p>72+4PCS</p>	<p>M8</p>  <p>7</p> <p>1PCS</p>
<p>L</p>  <p>4</p> <p>6PCS</p>	

## STEP1



### IMPORTANT NOTE:

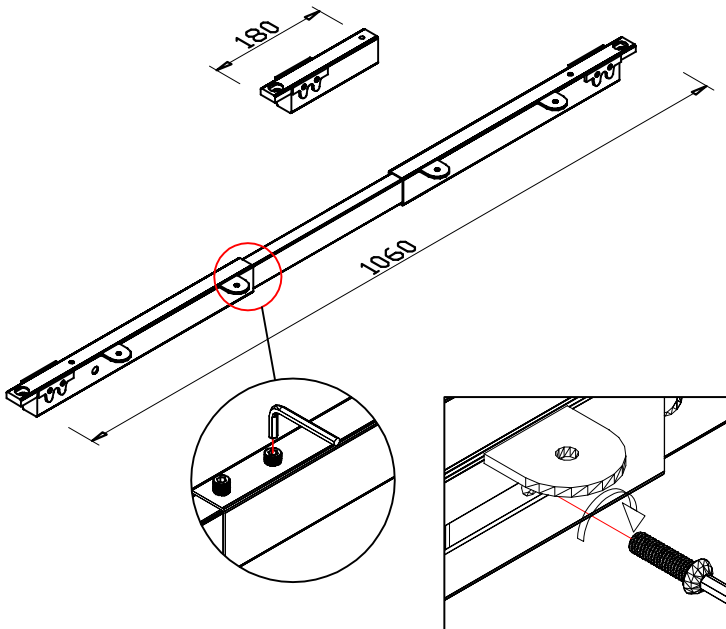
- Place all laminated parts on a clean and smooth surface such as a rug or carpet to avoid the parts from being scratched.
- Check to be sure that you have all parts and hardware.
- Remove all wrapping materials, including staples & packing straps before you start to assemble.
- Don't tighten all screws/bolts until all completely assembled.
- Keep all hardware parts out of reach of children



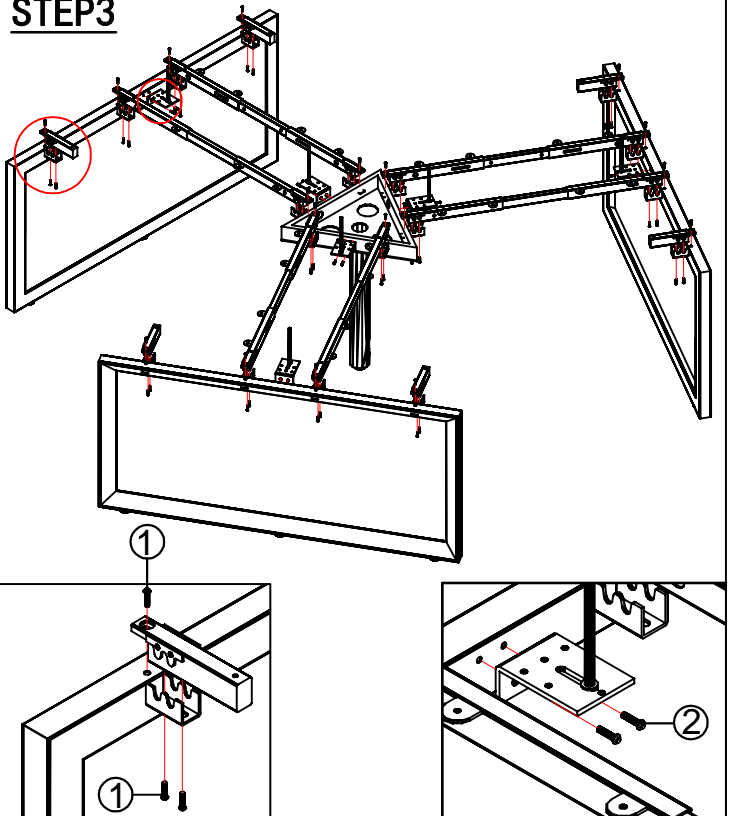
# Assembly Instructions

MODEL NO: Avenger Mars 120 Degree Workstation – Loop Leg

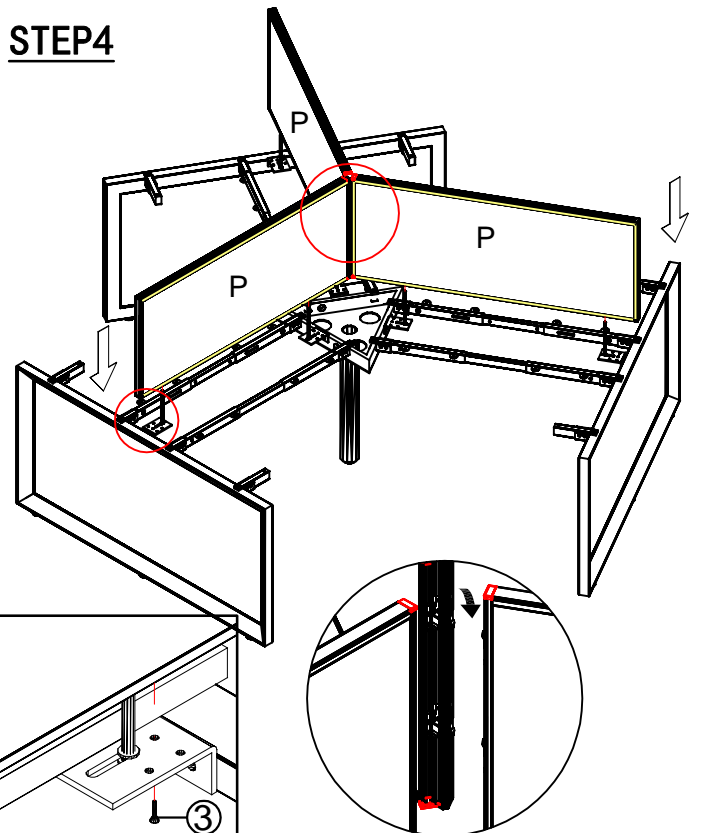
## STEP 2



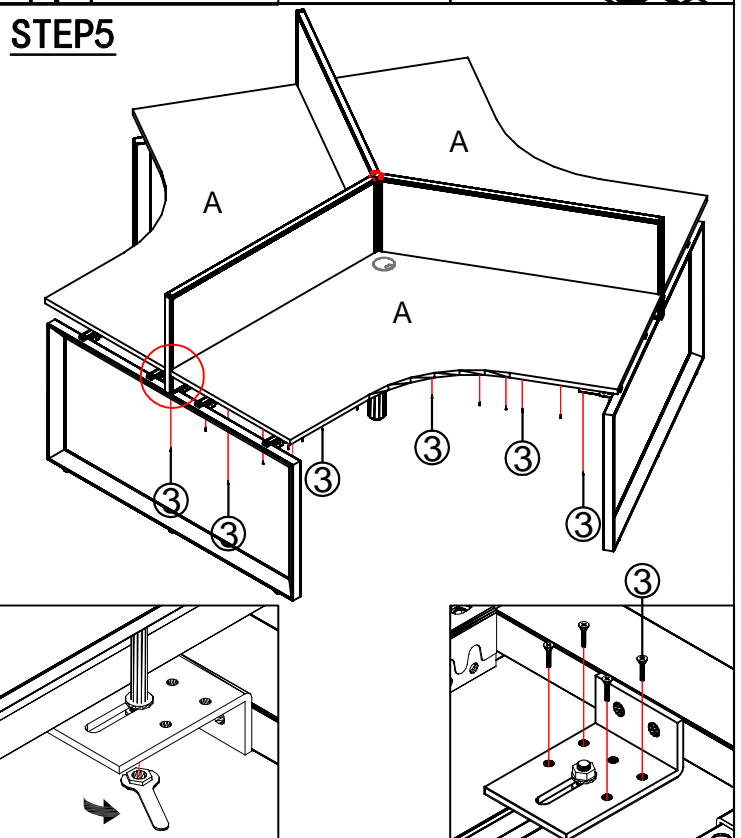
## STEP 3



## STEP 4



## STEP 5



### IMPORTANT NOTE:

- Place all laminated parts on a clean and smooth surface such as a rug or carpet to avoid the parts from being scratched.
- Check to be sure that you have all parts and hardware.
- Remove all wrapping materials, including staples & packing straps before you start to assemble.
- Don't tighten all screws/bolts until all completely assembled.
- Keep all hardware parts out of reach of children

