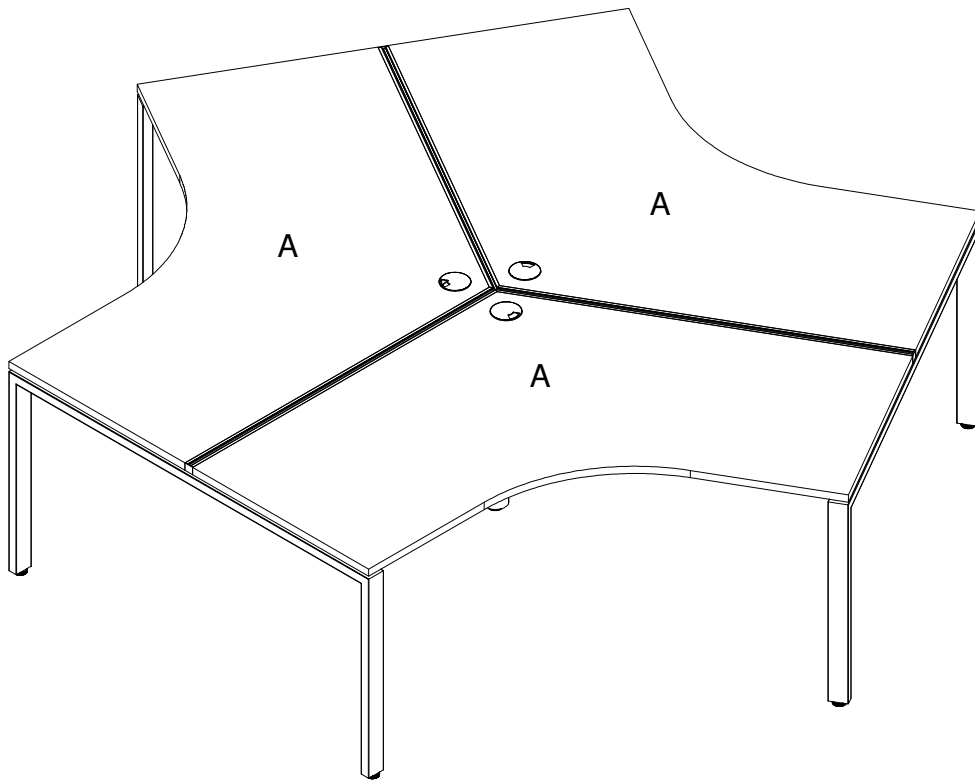

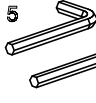

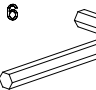


Assembly Instructions

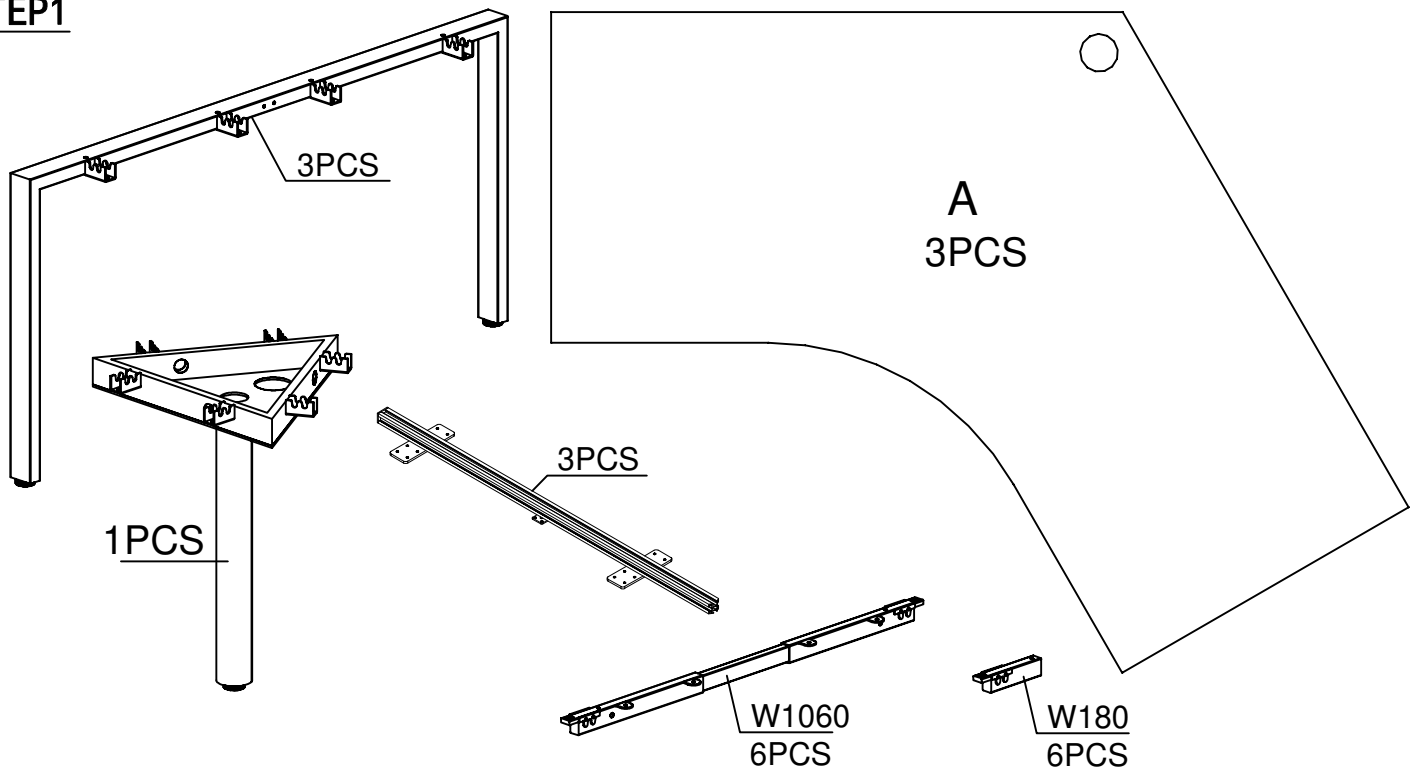
MODEL NO: Avenger Mercury 120 Degree Workstation - Profile Leg



Screw	8×16	M5
	1	
	66PCS	1PCS
Screw	5×20	M4
	3	
	102PCS	1PCS

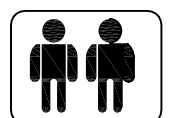


STEP 1



IMPORTANT NOTE:

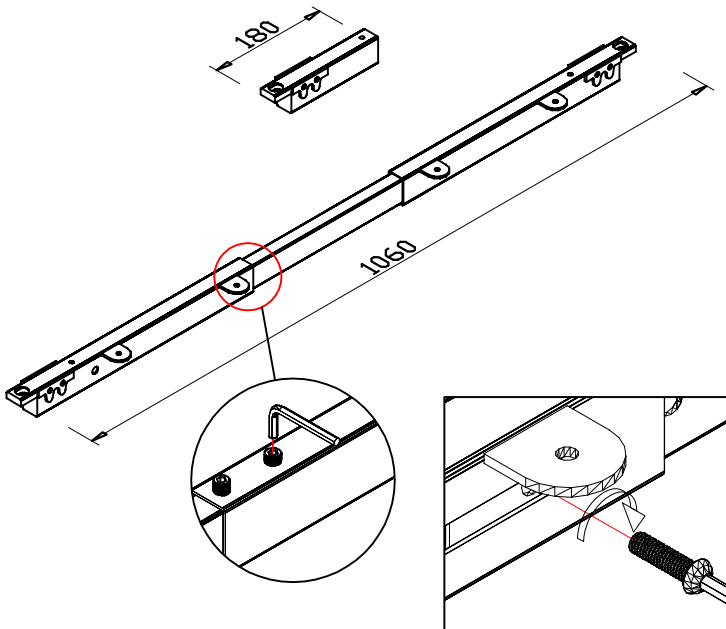
- Place all laminated parts on a clean and smooth surface such as a rug or carpet to avoid the parts from being scratched.
- Check to be sure that you have all parts and hardware.
- Remove all wrapping materials, including staples & packing straps before you start to assemble.
- Don't tighten all screws/bolts until all completely assembled.
- Keep all hardware parts out of reach of children



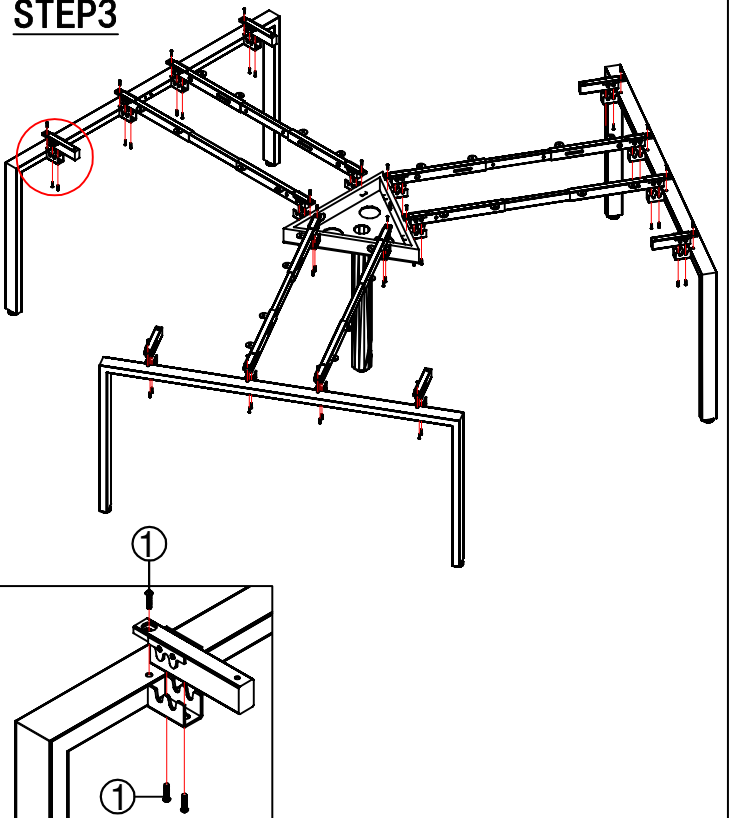
Assembly Instructions

MODEL NO: Avenger Mercury 120 Degree Workstation – Profile Leg

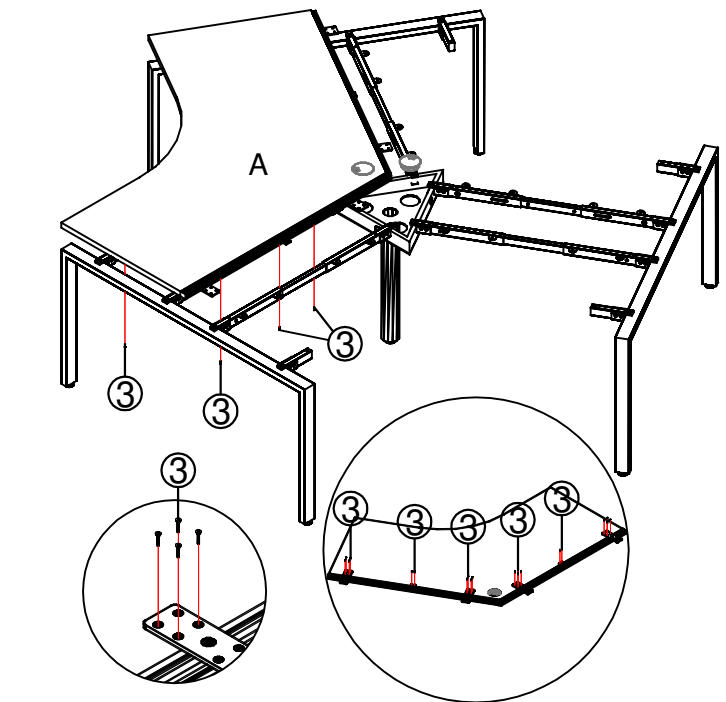
STEP 2



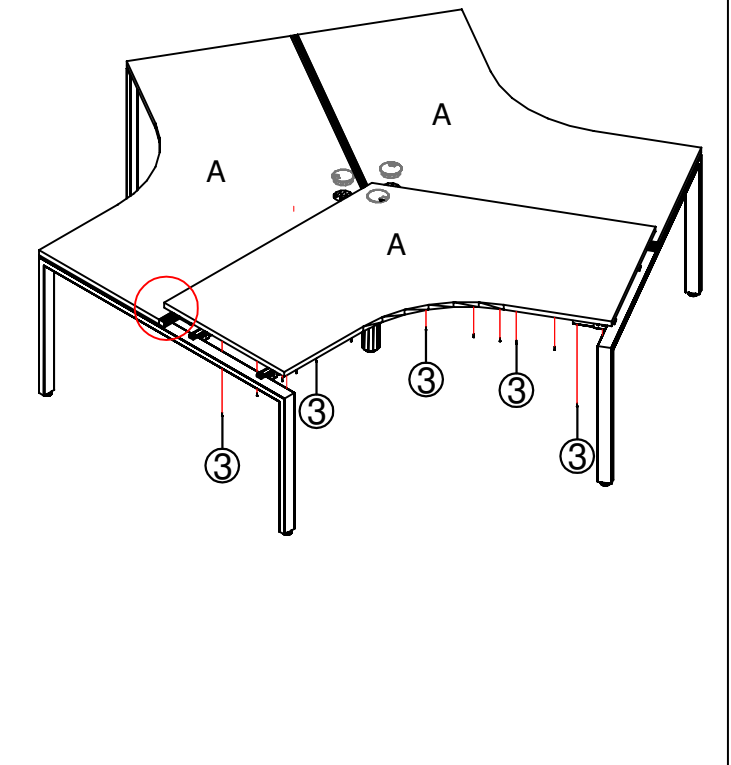
STEP 3



STEP 4

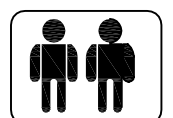


STEP 5



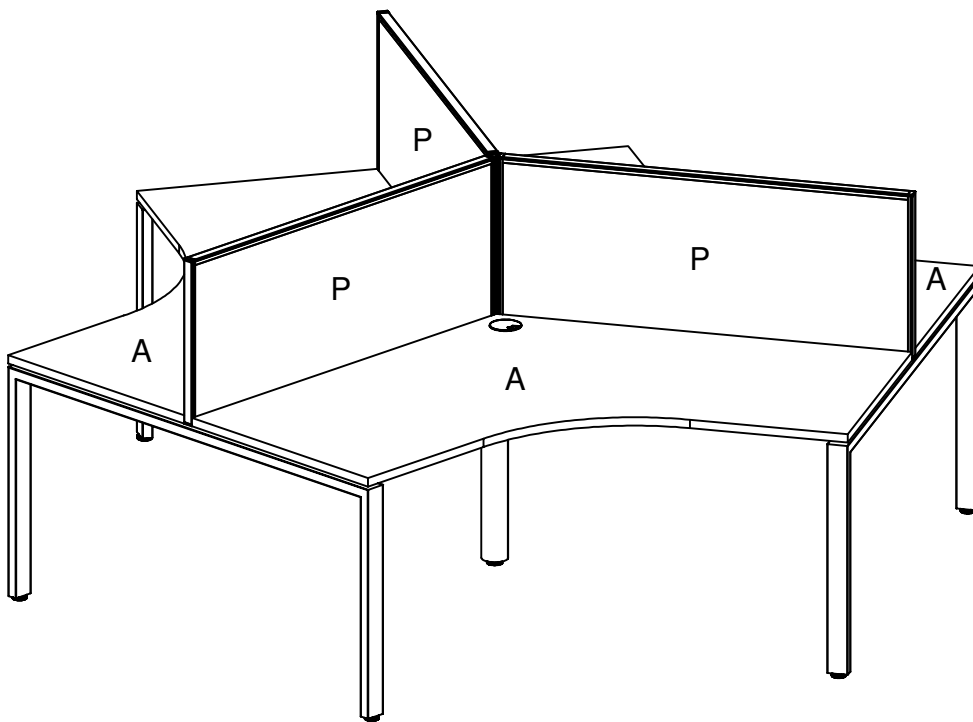
IMPORTANT NOTE:

- Place all laminated parts on a clean and smooth surface such as a rug or carpet to avoid the parts from being scratched.
- Check to be sure that you have all parts and hardware.
- Remove all wrapping materials, including staples & packing straps before you start to assemble.
- Don't tighten all screws/bolts until all completely assembled.
- Keep all hardware parts out of reach of children



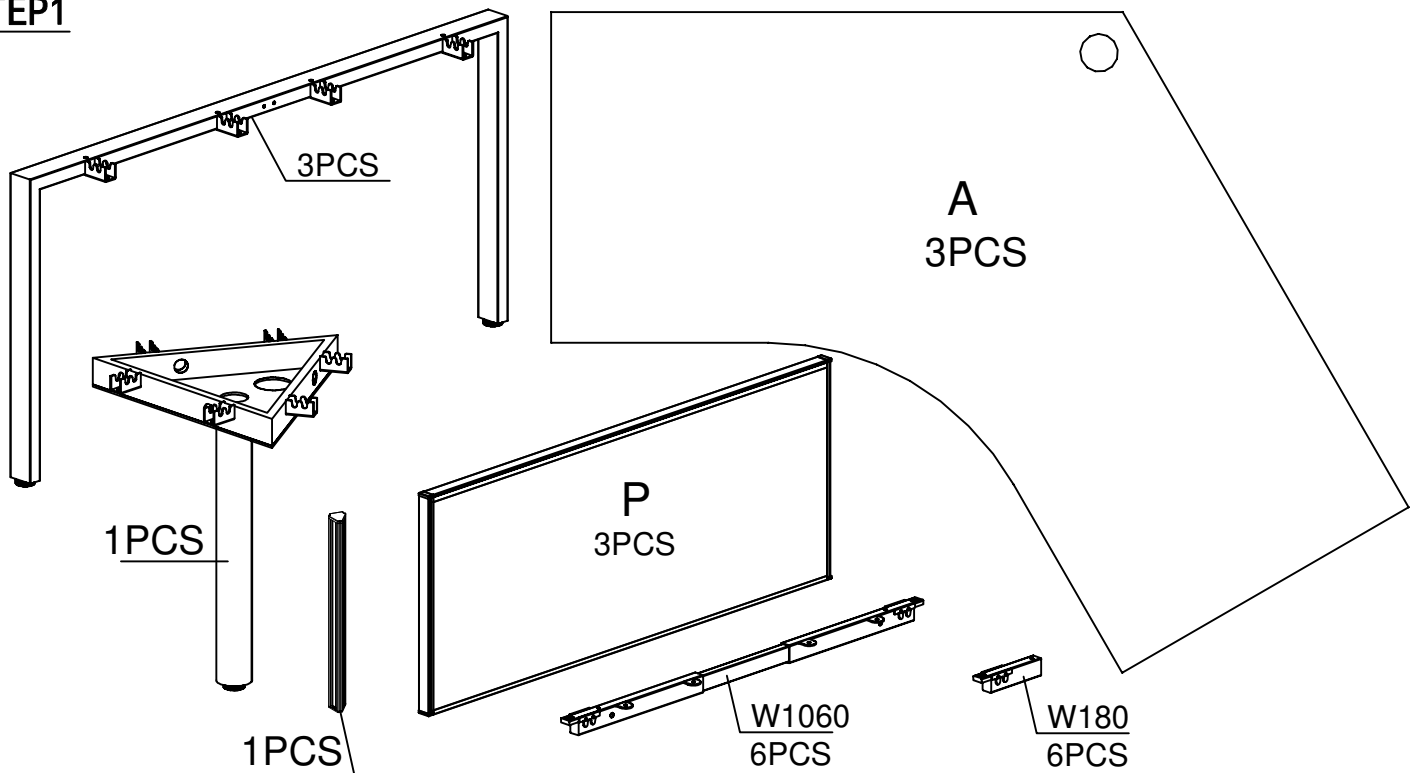
Assembly Instructions

MODEL NO: Avenger Mercury 120 Degree Workstation - Profile Leg



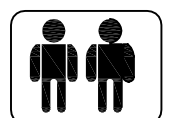
Screw 8×16 1 66PCS	M5 5 1PCS
Screw 6×16 2 12PCS	M4 6 1PCS
Screw 5×20 3 72+4PCS	M8 7 1PCS
L 4 6PCS	

STEP 1



IMPORTANT NOTE:

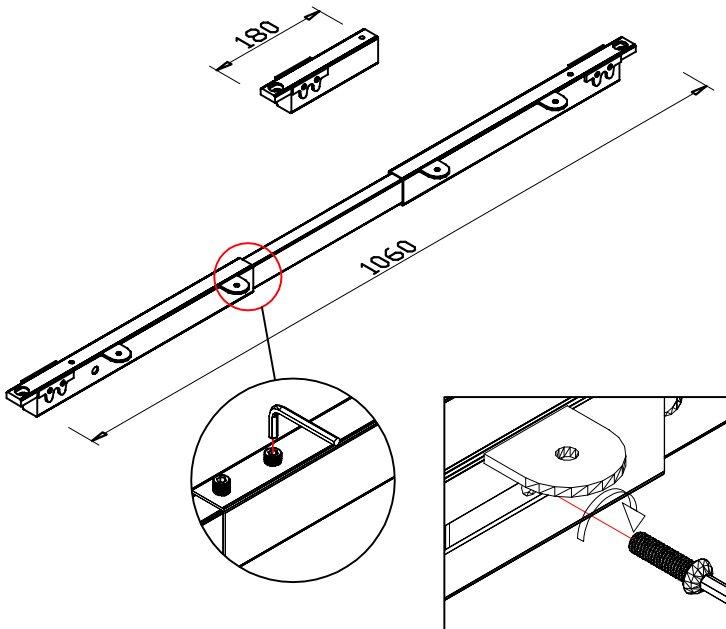
- Place all laminated parts on a clean and smooth surface such as a rug or carpet to avoid the parts from being scratched.
- Check to be sure that you have all parts and hardware.
- Remove all wrapping materials, including staples & packing straps before you start to assemble.
- Don't tighten all screws/bolts until all completely assembled.
- Keep all hardware parts out of reach of children



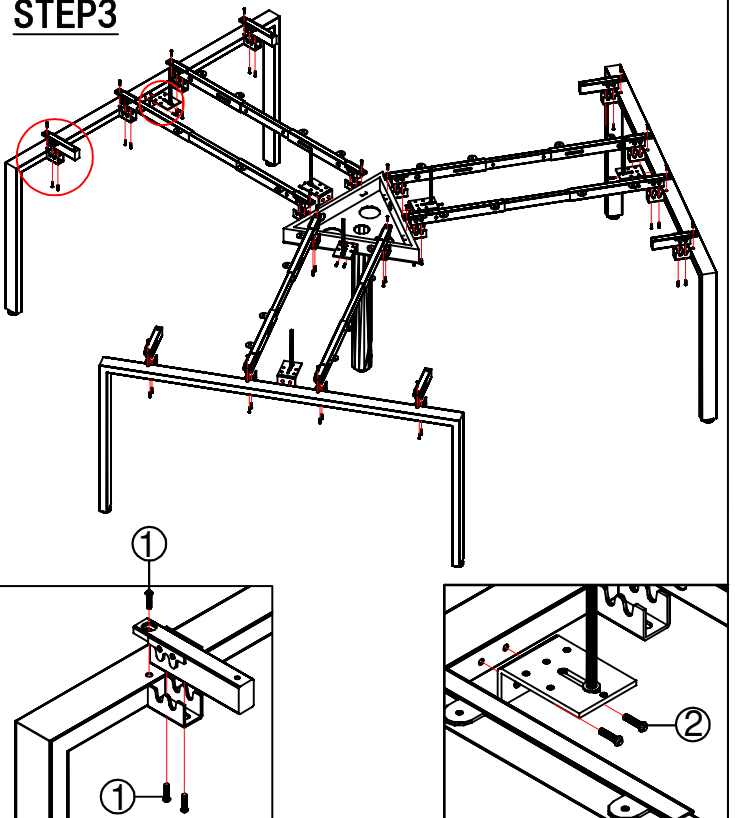
Assembly Instructions

MODEL NO: Avenger Mercury 120 Degree Workstation – Profile Leg

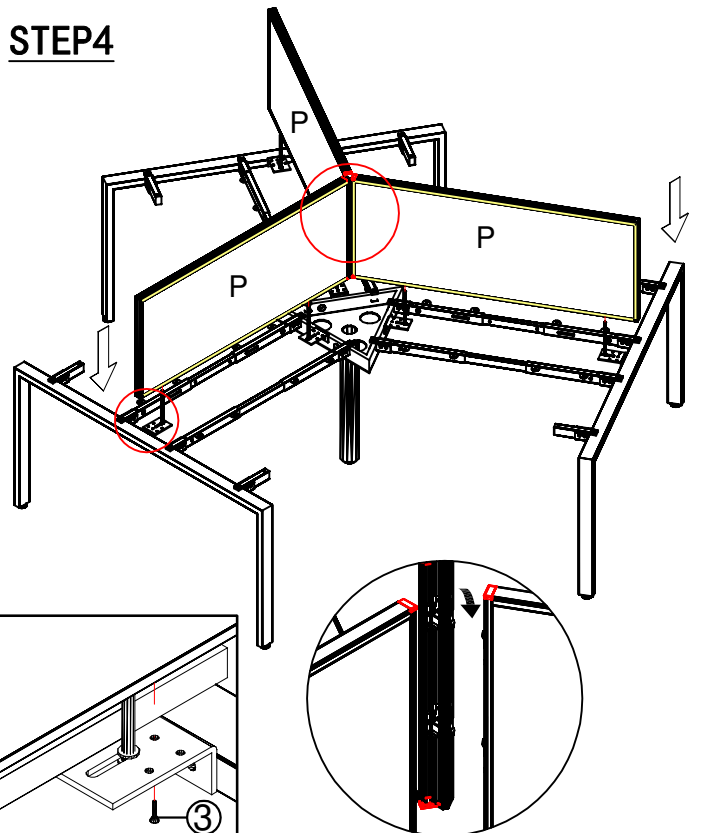
STEP 2



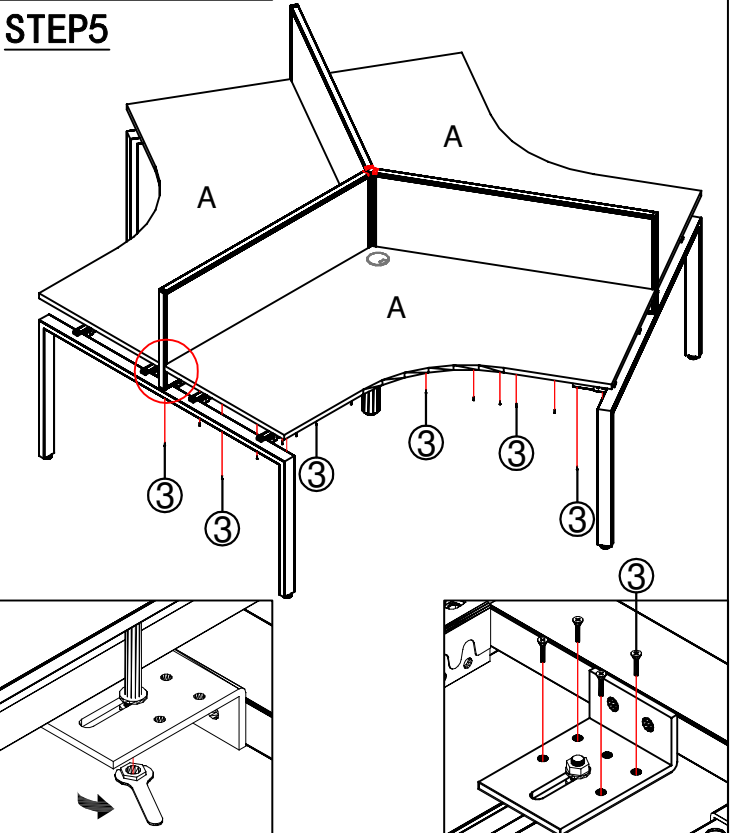
STEP 3



STEP 4



STEP 5



IMPORTANT NOTE:

- Place all laminated parts on a clean and smooth surface such as a rug or carpet to avoid the parts from being scratched.
- Check to be sure that you have all parts and hardware.
- Remove all wrapping materials, including staples & packing straps before you start to assemble.
- Don't tighten all screws/bolts until all completely assembled.
- Keep all hardware parts out of reach of children

