

ASSEMBLY INSTRUCTIONS:

Product Code : DAP-Z

Product Name: Dapper Credenza



TIME REQUIRED:

35 minutes

TOOLS REQUIRED:

Screwdriver, Electric Drill, Pencil, Measuring tape/Ruler

*Tools are not included.

SKILL REQUIRED:

Easy ●●●●○ Hard

The Assembly Skill Rating is a 5-point system that shows the degree of effort needed in assembling a specific product. With 1 being easy for the average person and 5 requiring an expert. For most products, two persons are recommended.

NOTE

- As this is a commercial product, some intermediate skills may be required.
 - No pre-drill holes or markings are provided on our table or desk tops.
 - Please check you have all hardware before assembling.
- If you are missing any hardware, please contact your Danny reseller. Please ensure you have the name of the item, required hardware part and quantity.
 - Please retain your receipt as proof of purchase to validate your warranty.
- Assemble on a clean, flat, smooth surface such as a rug or carpet to avoid parts from being scratched.
 - Remove all wrapping materials, including staples and packing straps before you start to assemble
 - Keep all hardware parts out of reach of children.

CAUTION

- Heavy product. Do not attempt to lift or move without help
- Do not tighten screws and bolts until completely assembled.
- Do not use this product unless all bolts and screws are firmly secured and tightened.

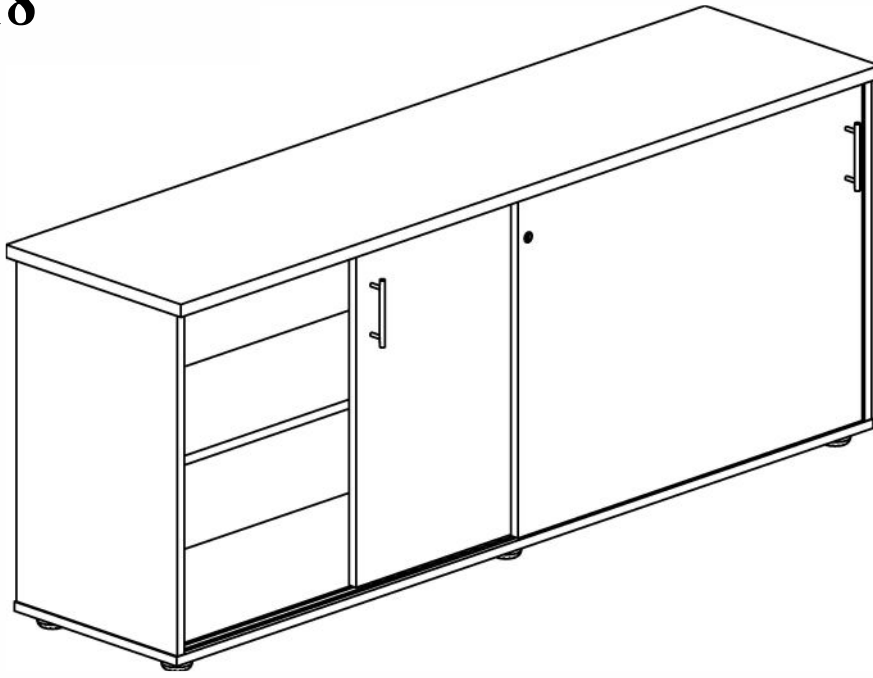
WARNING

- If parts are missing, broken, damaged or worn stop using the product until all repairs are made.
 - Failure to follow these warnings could result in serious injury.

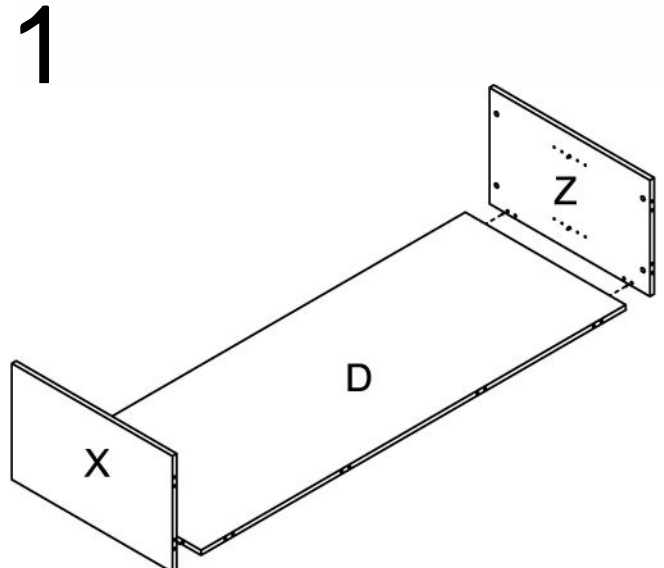
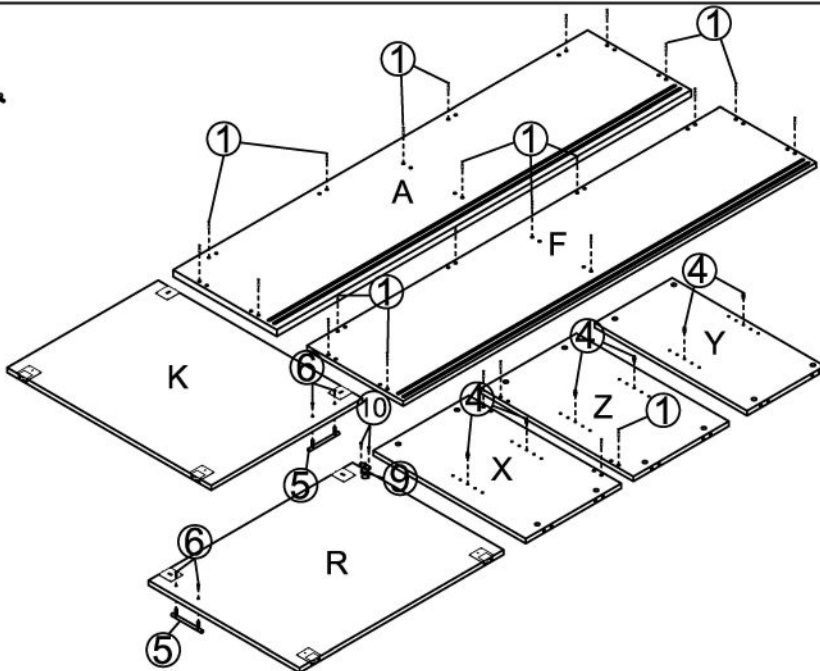
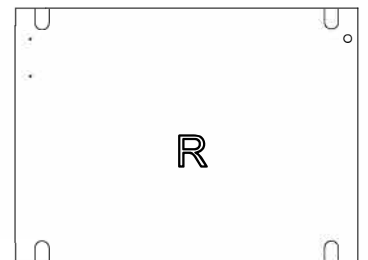
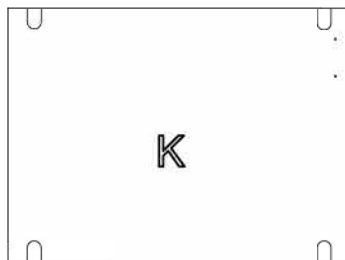
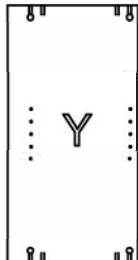
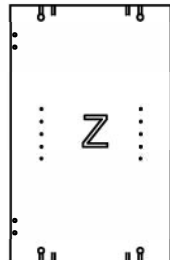
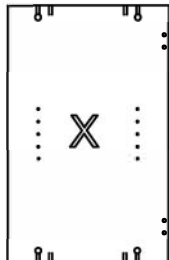
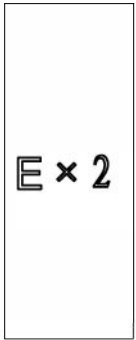
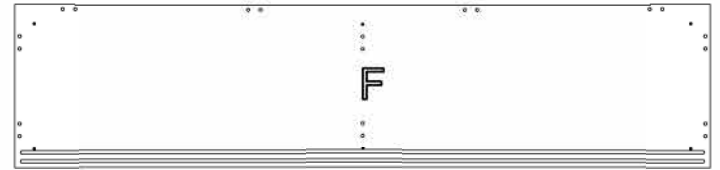
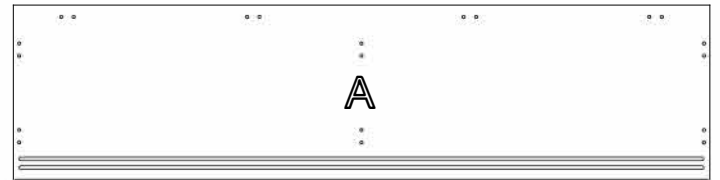
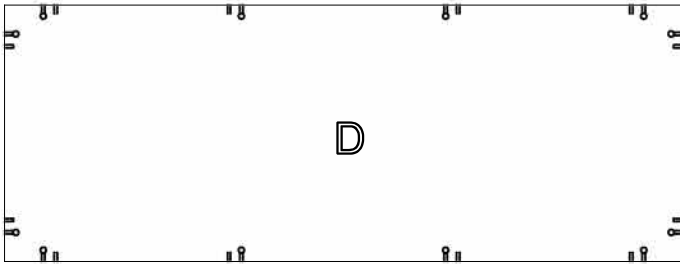


ASSEMBLY INSTRUCTIONS

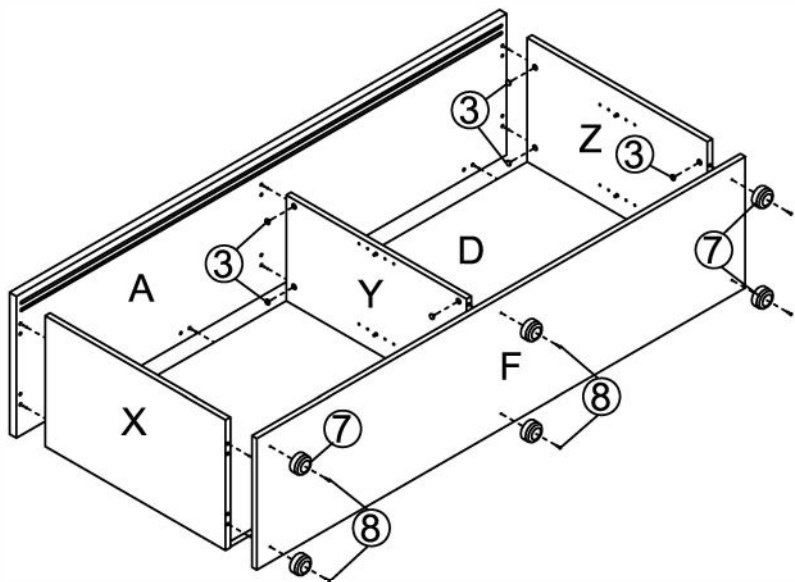
DAP-Z18



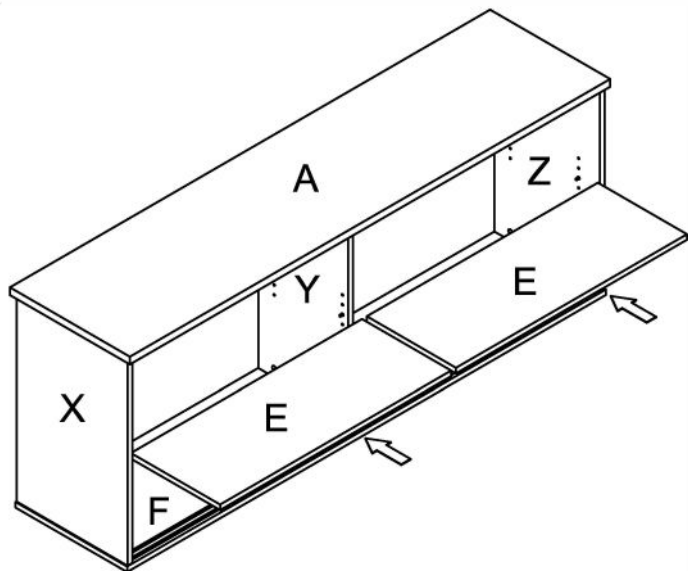
pin 6x35 1 24PCS	CAM 2 24PCS
Cam Cover 3 24PCS	Self-Mixing 16H1A±0.5 4 8PCS
T-Handle 5 2PCS	Screw 4x22 6 4PCS
CUSHION 25H1A±0.5 7 6PCS	Screw 4x30 8 6PCS
LOCK 9 1PCS	Screw 3.5x13 10 2PCS



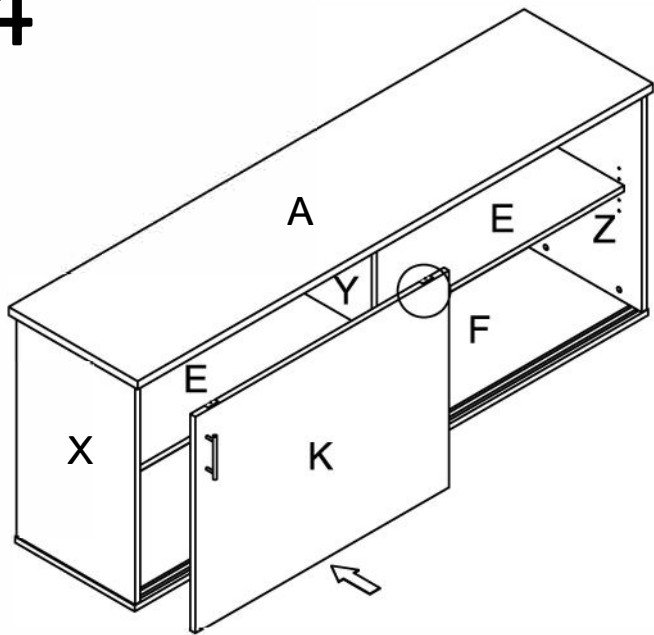
2



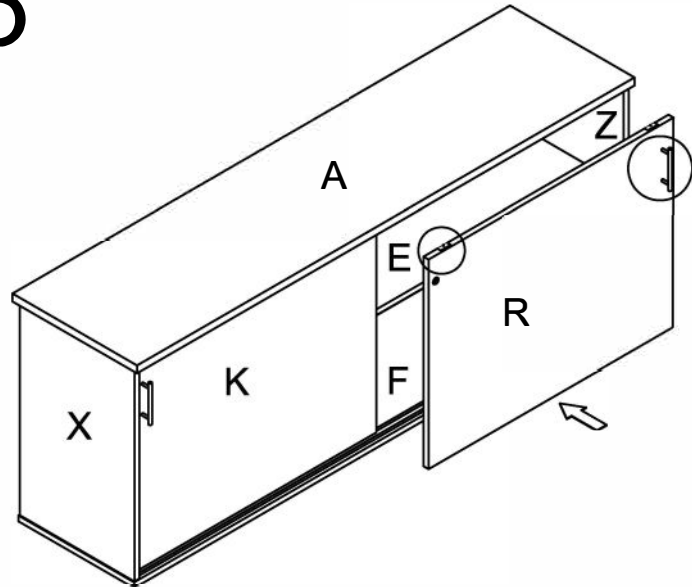
3



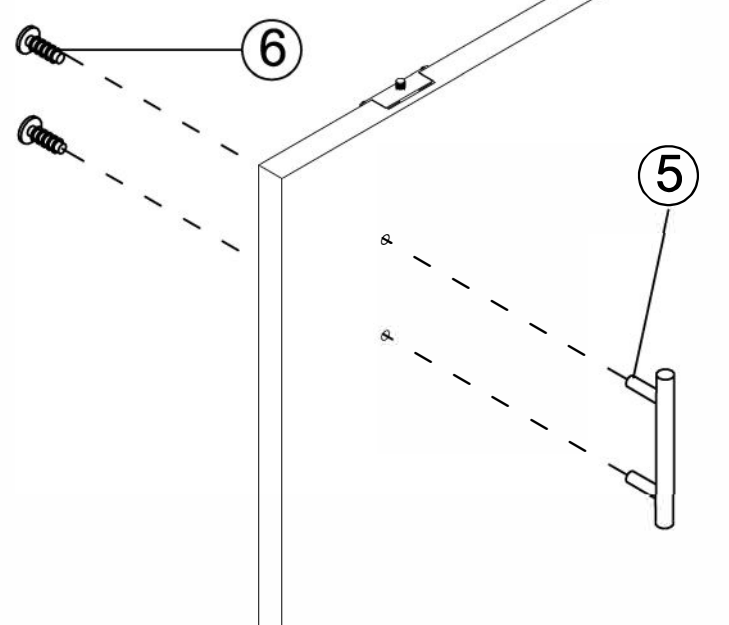
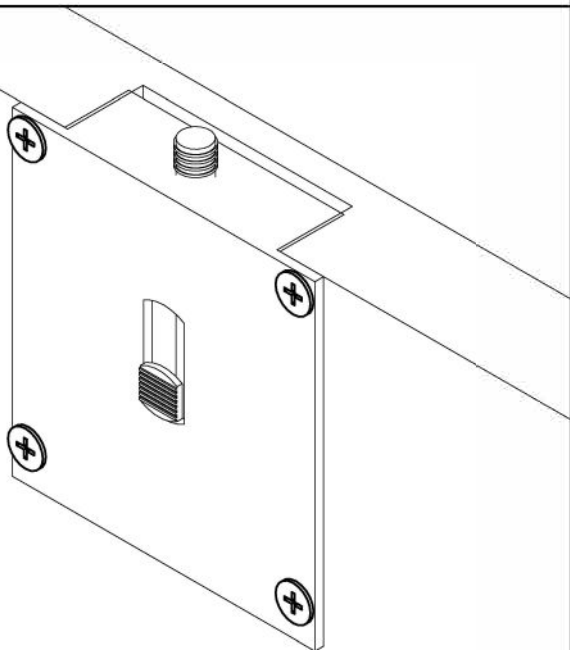
4



5

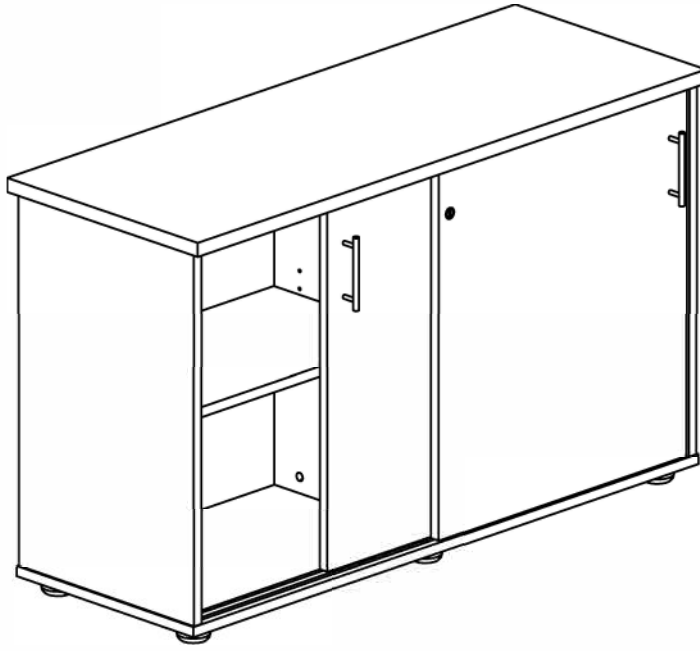


6

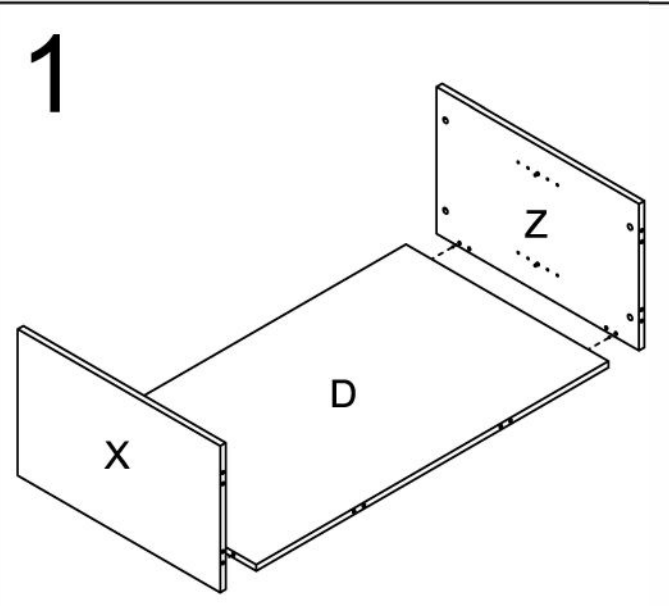
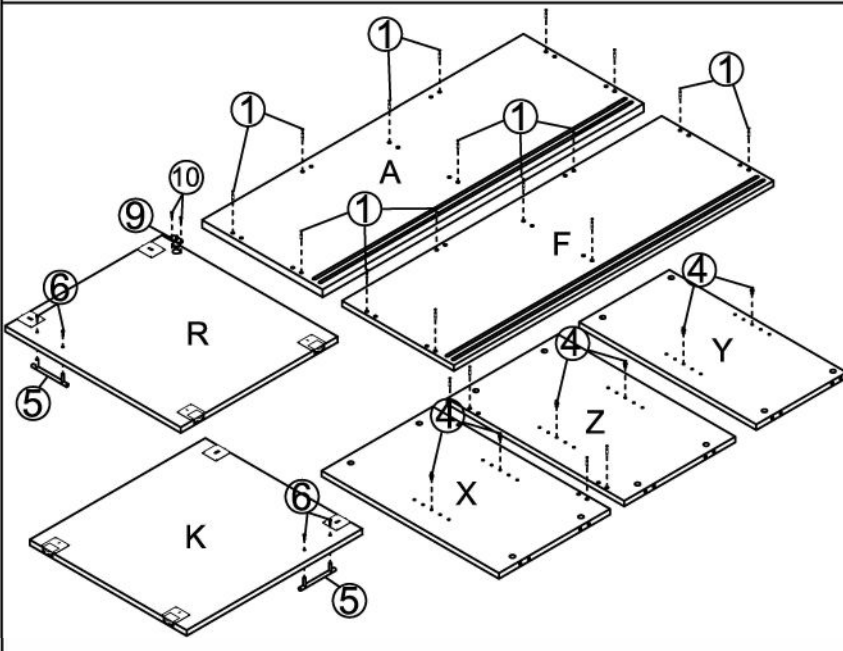
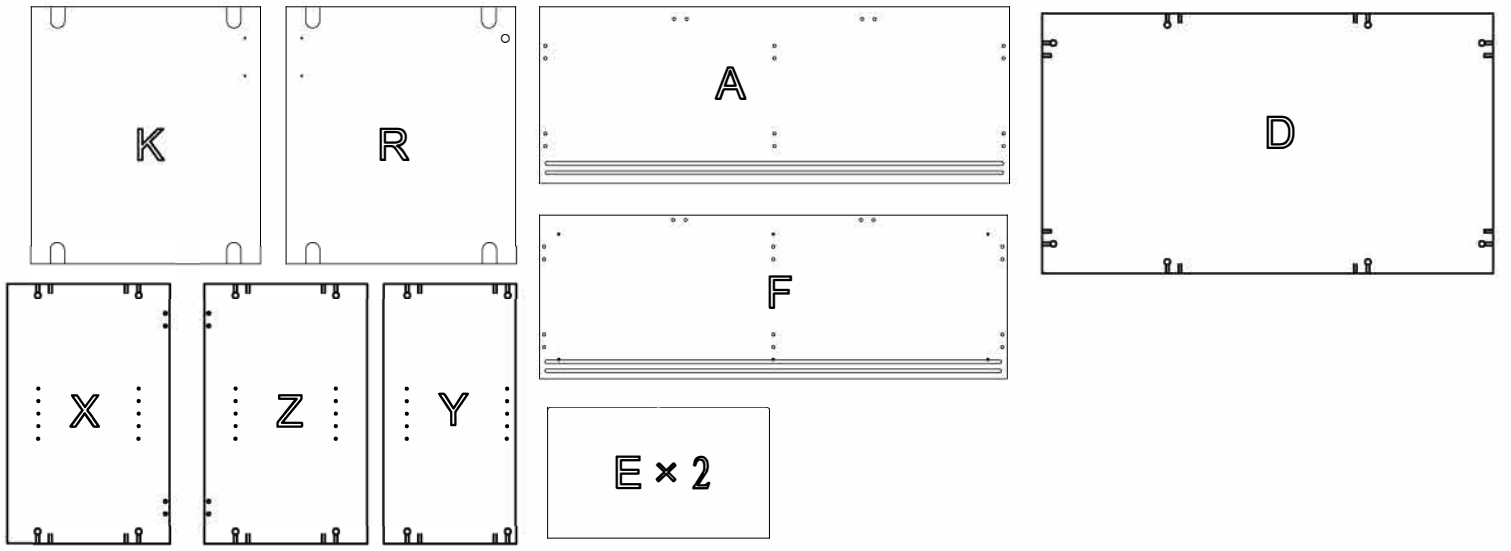


ASSEMBLY INSTRUCTIONS

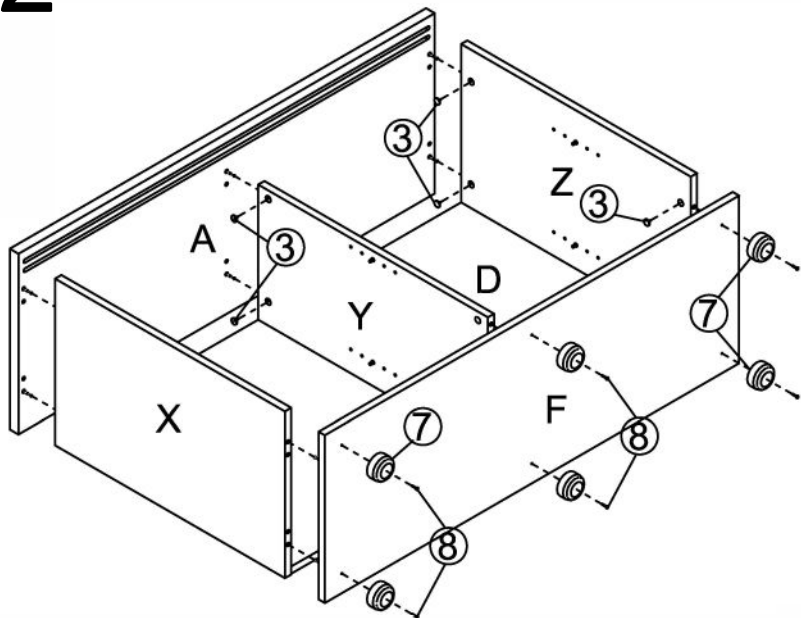
DAP-Z15



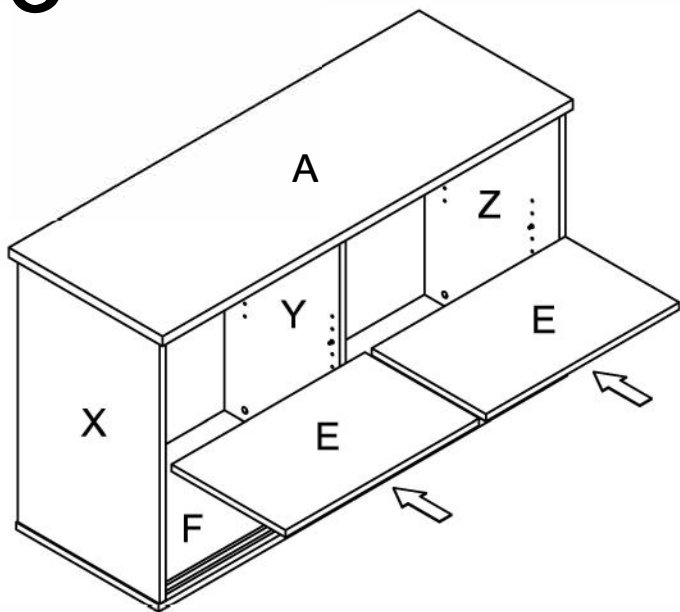
pin 6x35 1 20PCS	CAM 2 20PCS
Cam Cover 3 20PCS	Bolt M8x16 4 8PCS
T-Handle 5 2PCS	Screw 4x22 6 4PCS
CUSHION 7 6PCS	Screw 4x30 8 6PCS
LOCK 9 1PCS	Screw 3.5x13 10 2PCS



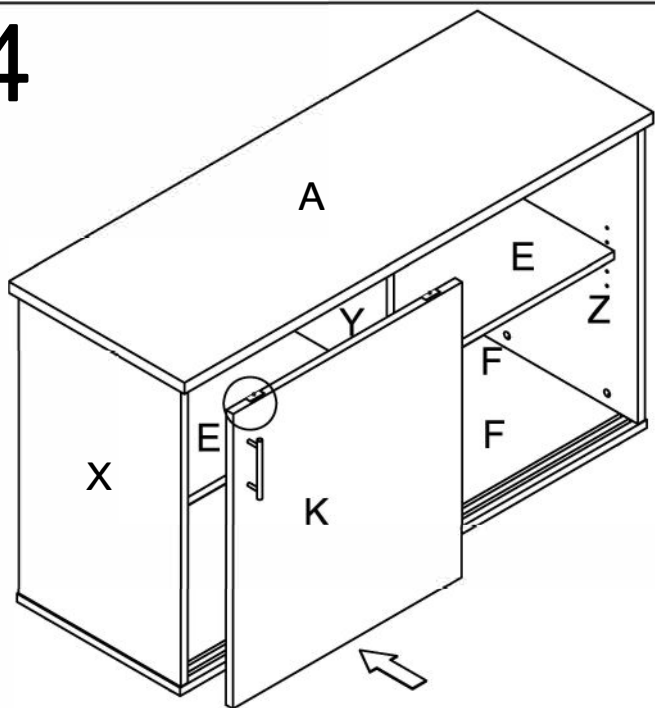
2



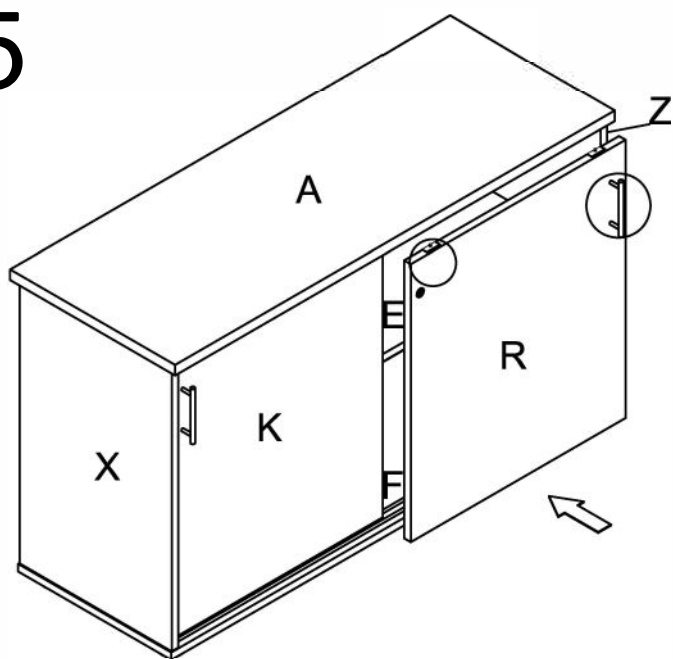
3



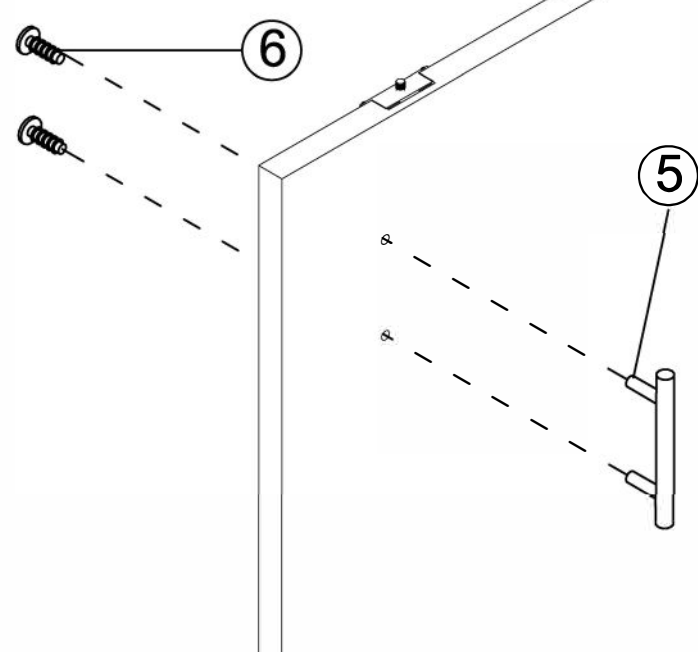
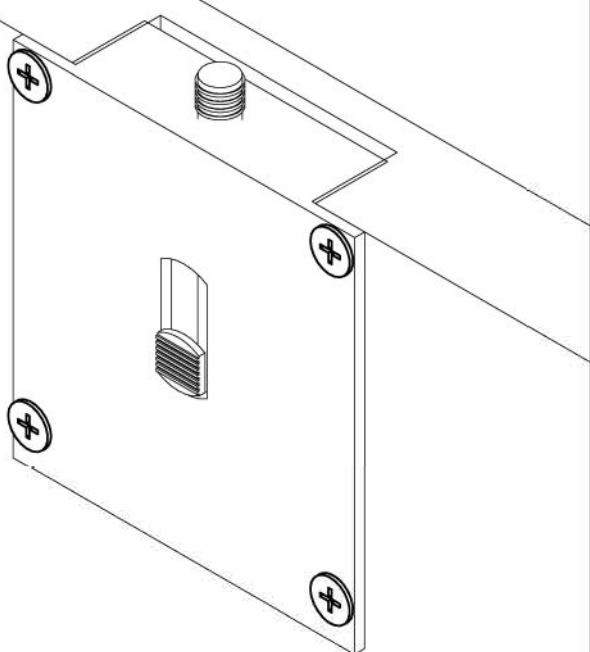
4



5

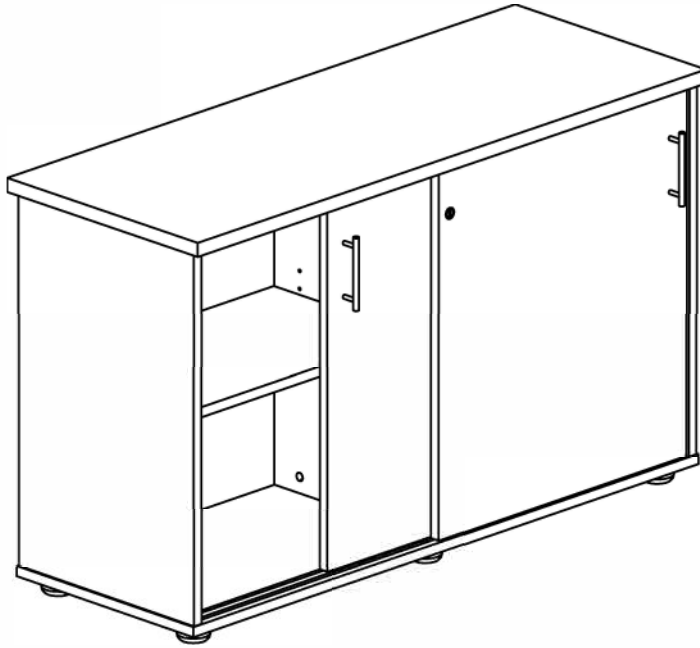


6

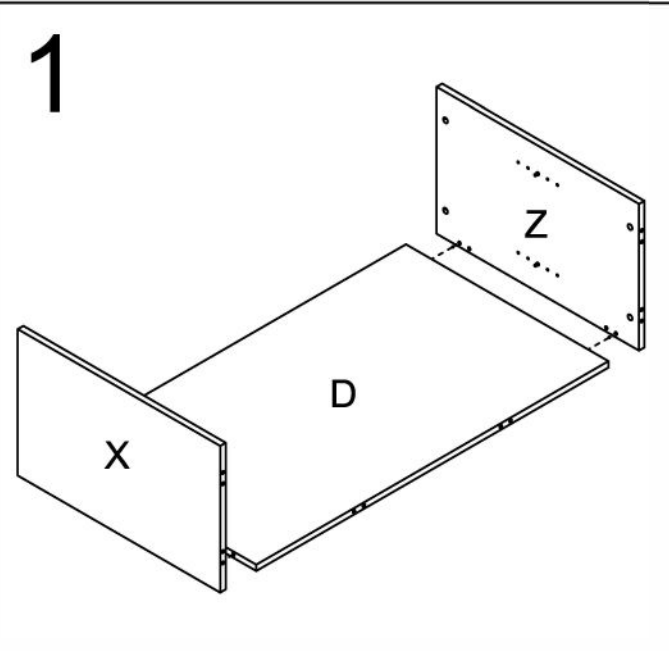
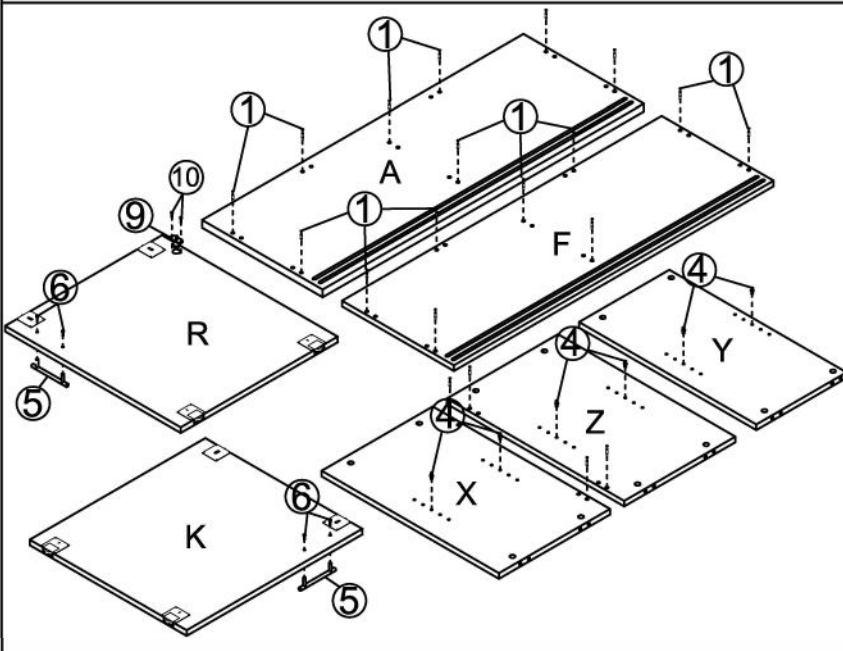
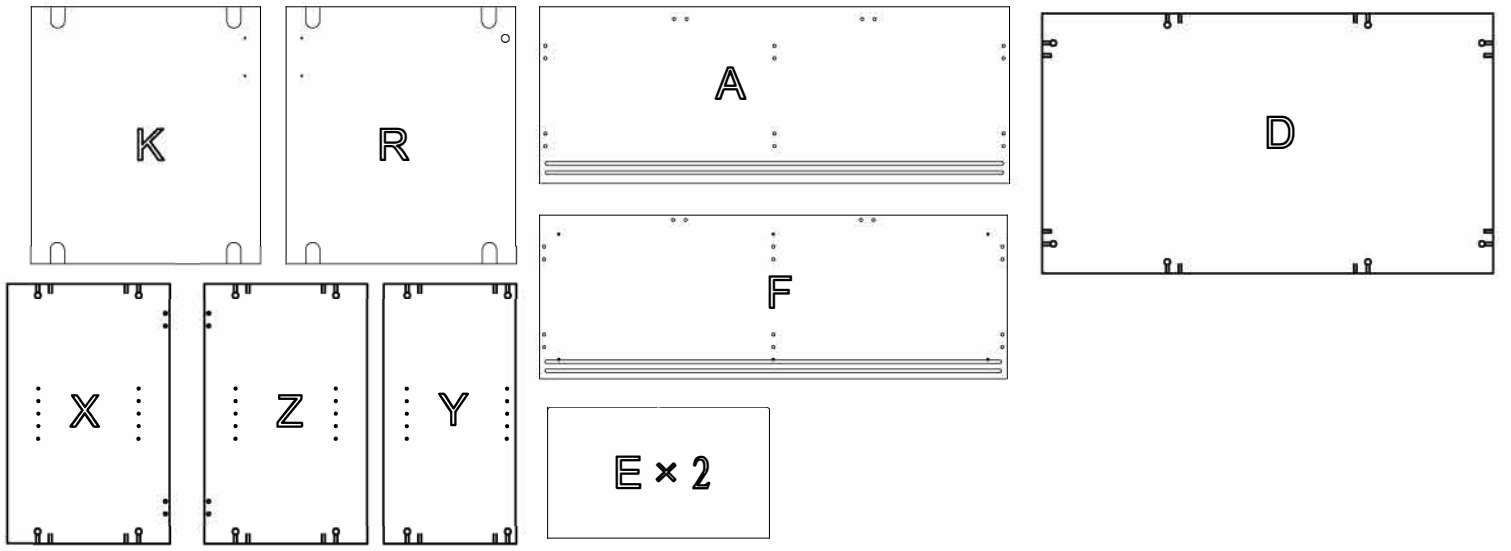


ASSEMBLY INSTRUCTIONS

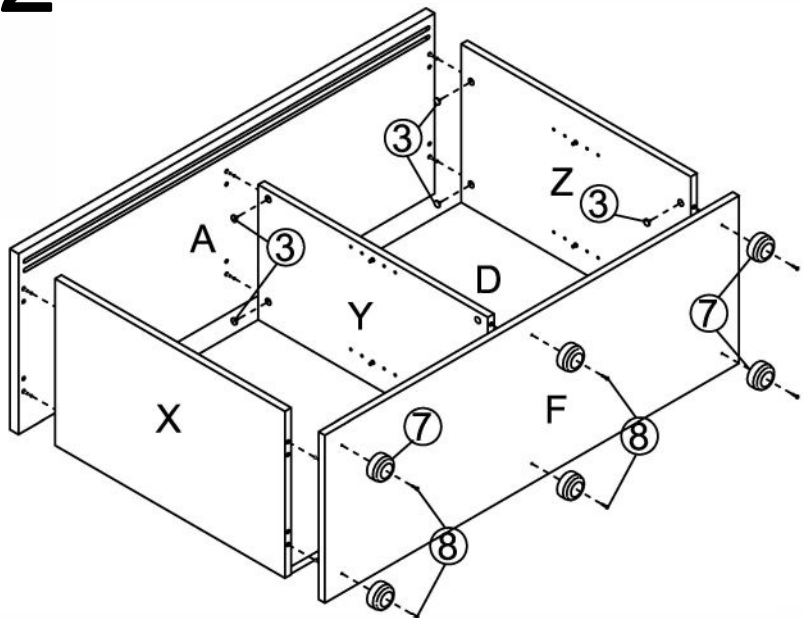
DAP-Z12



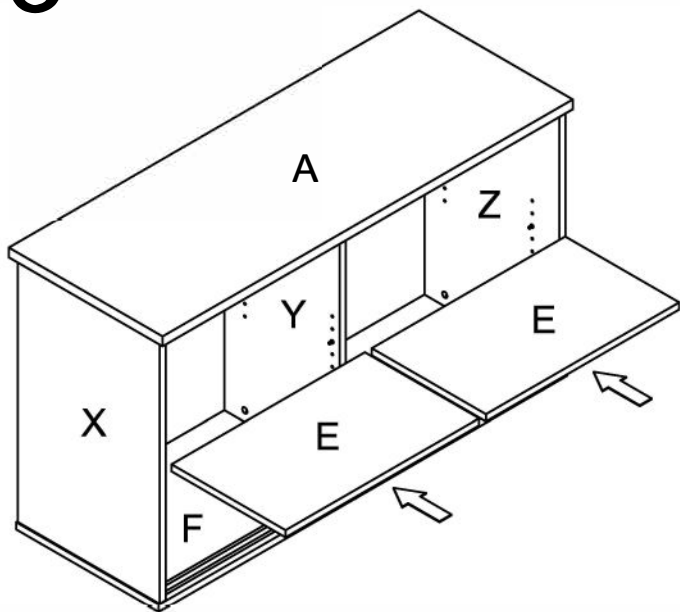
pin 6x35 1 20PCS	CAM 2 20PCS
Cam Cover 3 20PCS	Bolt M8x16 4 8PCS
T-Handle 5 2PCS	Screw 4x22 6 4PCS
CUSHION 25x4x6 7 6PCS	Screw 4x30 8 6PCS
LOCK 9 1PCS	Screw 3.5x13 10 2PCS



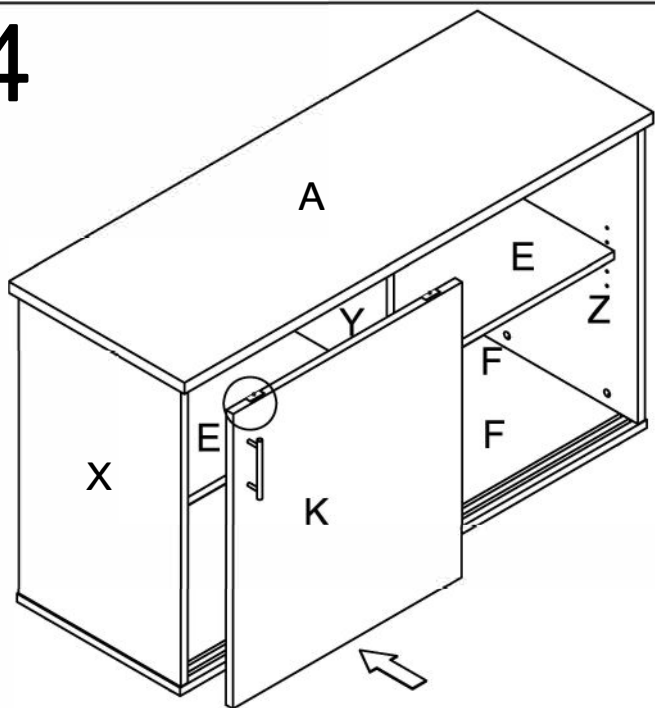
2



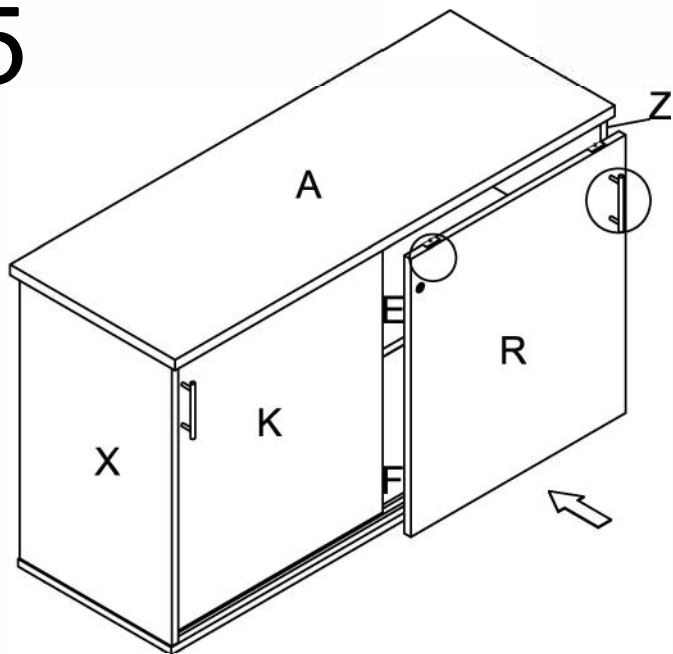
3



4



5



6

