

ASSEMBLY INSTRUCTIONS:

Product Code : PDAP-PH

Product Name: Dapper Pigeon Hole Unit



TIME REQUIRED:

30 minutes

TOOLS REQUIRED:

Screwdriver, Electric Drill, Pencil, Measuring tape/Ruler

*Tools are not included.

SKILL REQUIRED:

Easy ●●●●○ Hard

The Assembly Skill Rating is a 5-point system that shows the degree of effort needed in assembling a specific product. With 1 being easy for the average person and 5 requiring an expert. For most products, two persons are recommended.

NOTE

- As this is a commercial product, some intermediate skills may be required.
 - No pre-drill holes or markings are provided on our table or desk tops.
 - Please check you have all hardware before assembling.
- If you are missing any hardware, please contact your Danny reseller. Please ensure you have the name of the item, required hardware part and quantity.
 - Please retain your receipt as proof of purchase to validate your warranty.
- Assemble on a clean, flat, smooth surface such as a rug or carpet to avoid parts from being scratched.
 - Remove all wrapping materials, including staples and packing straps before you start to assemble
 - Keep all hardware parts out of reach of children.

CAUTION

- Heavy product. Do not attempt to lift or move without help
- Do not tighten screws and bolts until completely assembled.
- Do not use this product unless all bolts and screws are firmly secured and tightened.

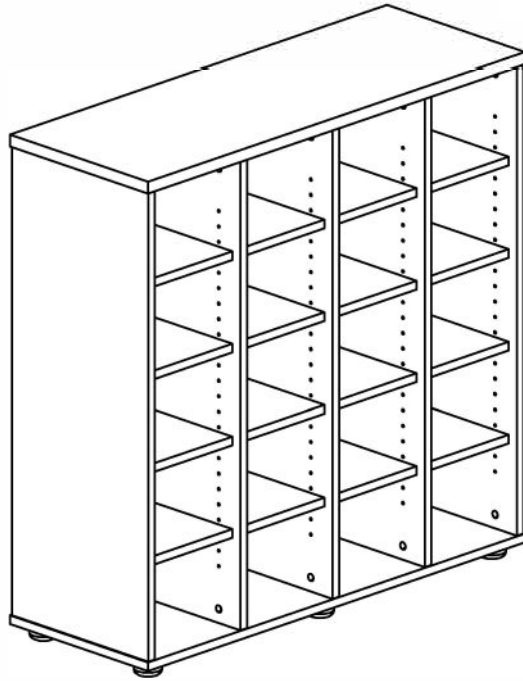
WARNING

- If parts are missing, broken, damaged or worn stop using the product until all repairs are made.
 - Failure to follow these warnings could result in serious injury.



ASSEMBLY INSTRUCTIONS

DAP-PH



2 PIECES EXTRA
SHELVES

| | | |
|---------------|---|-------|
| pin 6x35 | 1 | 34PCS |
| CAM | 2 | 34PCS |
| Cam Cover | 3 | 64PCS |
| End Miter | 4 | 72PCS |
| GLIDE 25Hxφ52 | 5 | 6PCS |
| Screw 4x30 | 6 | 6PCS |
| | | |

E x 18

