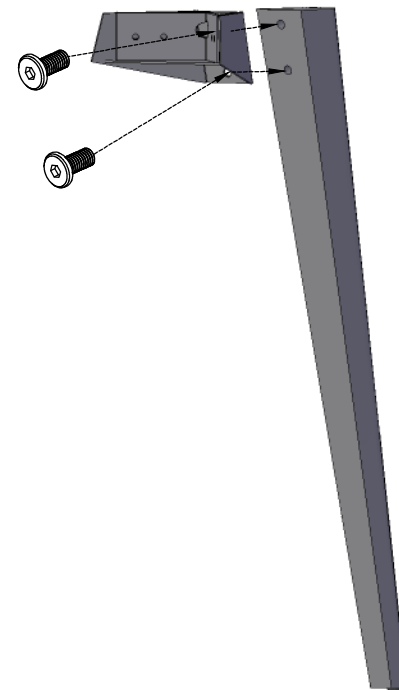




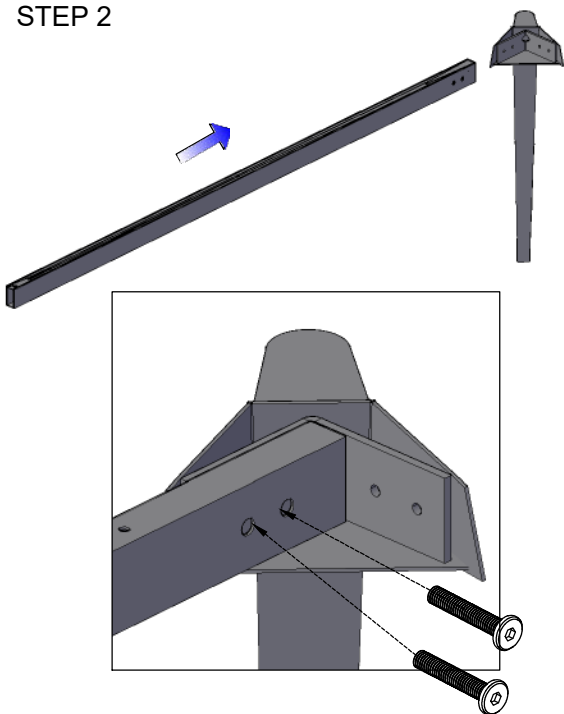
# Assembly Instruction



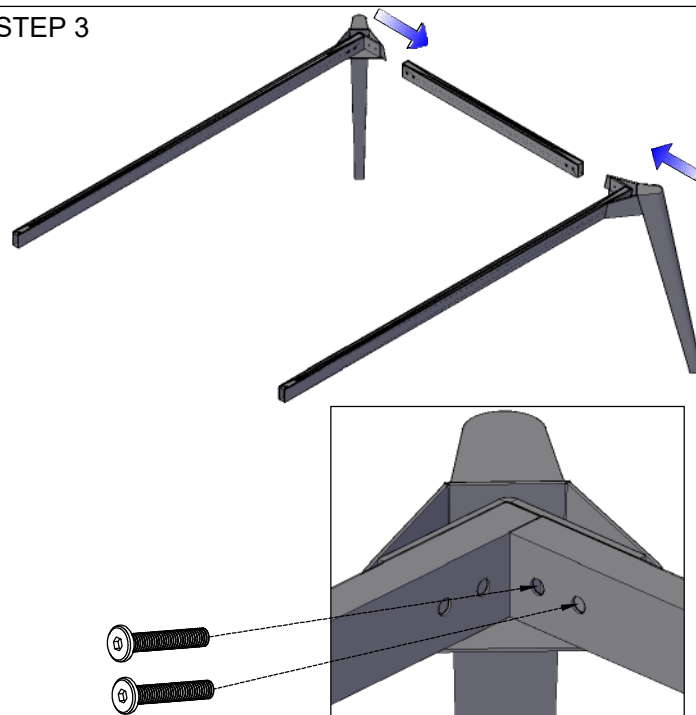
## STEP 1



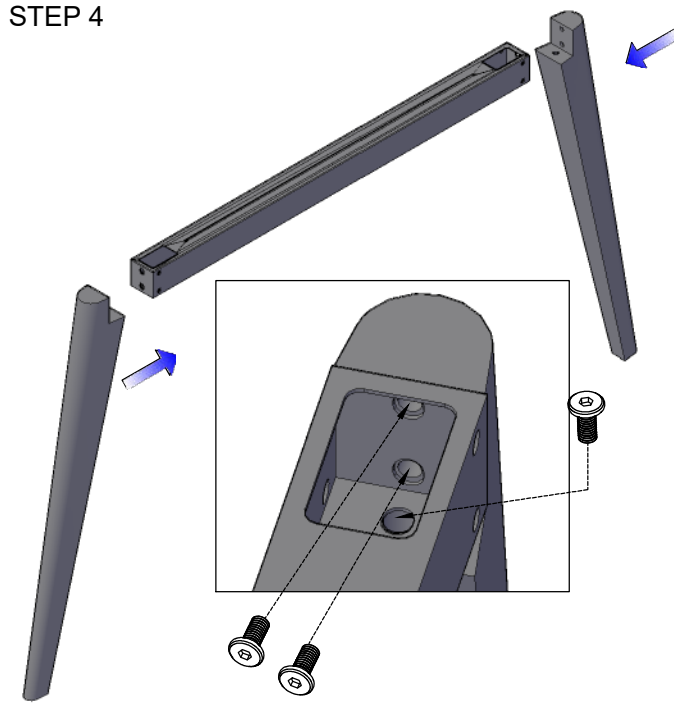
## STEP 2



## STEP 3



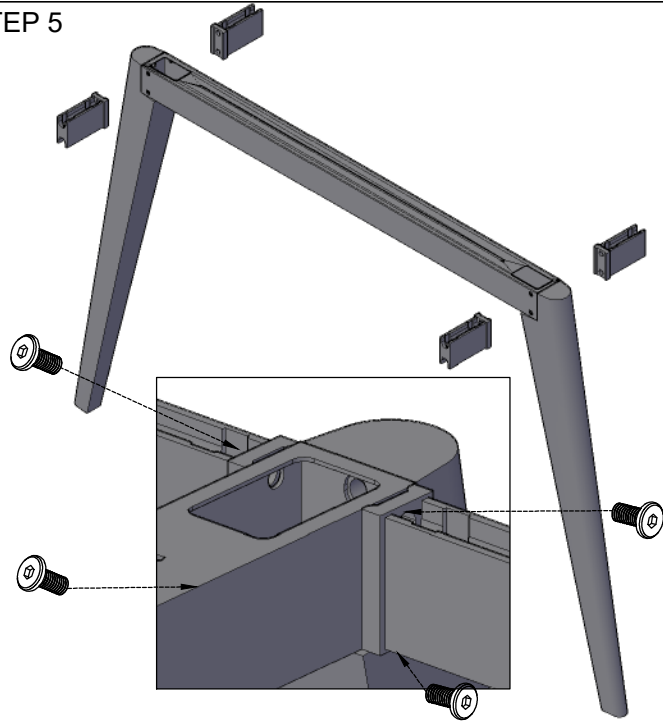
## STEP 4



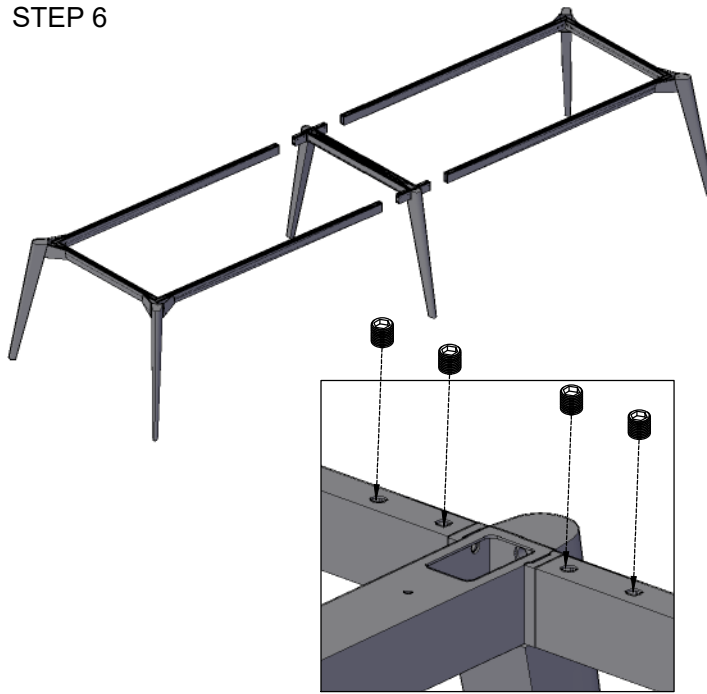


# Assembly Instruction

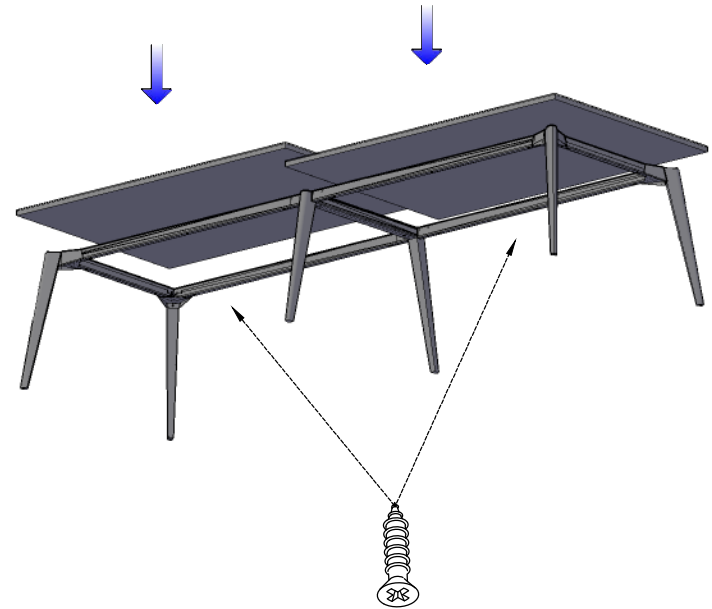
STEP 5



STEP 6



STEP 7



STEP 8

