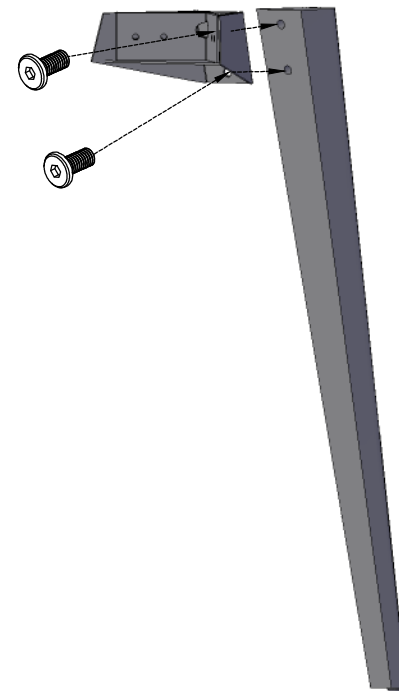




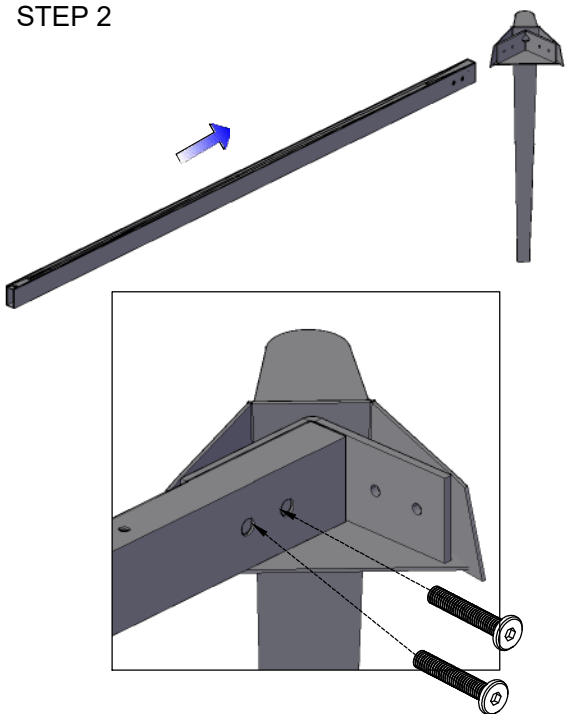
Assembly Instruction



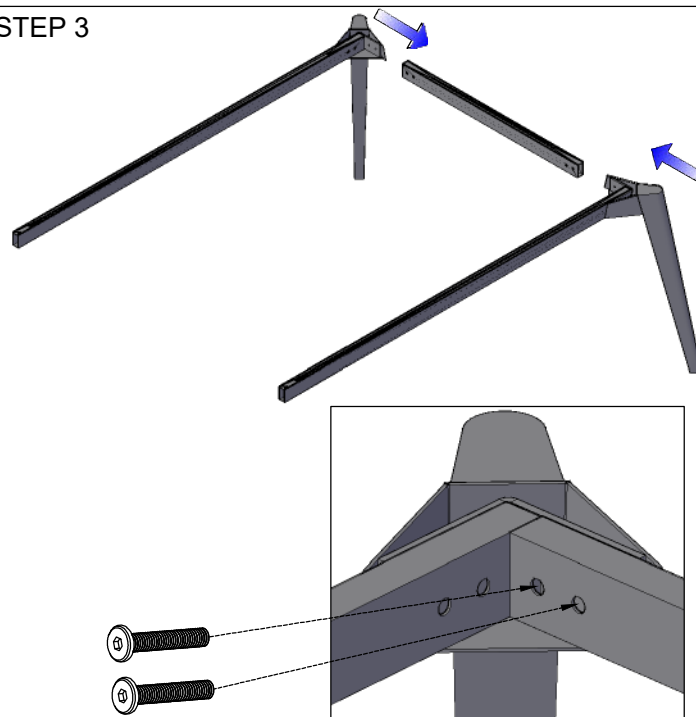
STEP 1



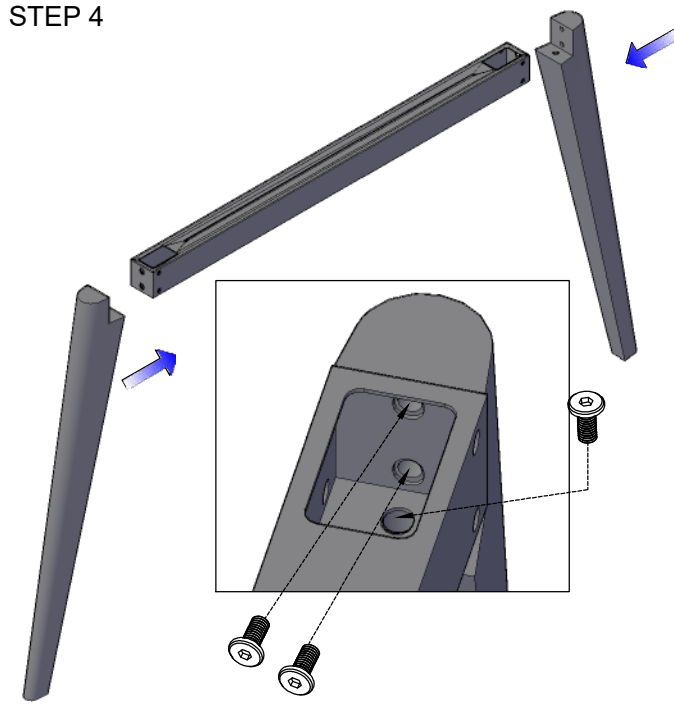
STEP 2



STEP 3



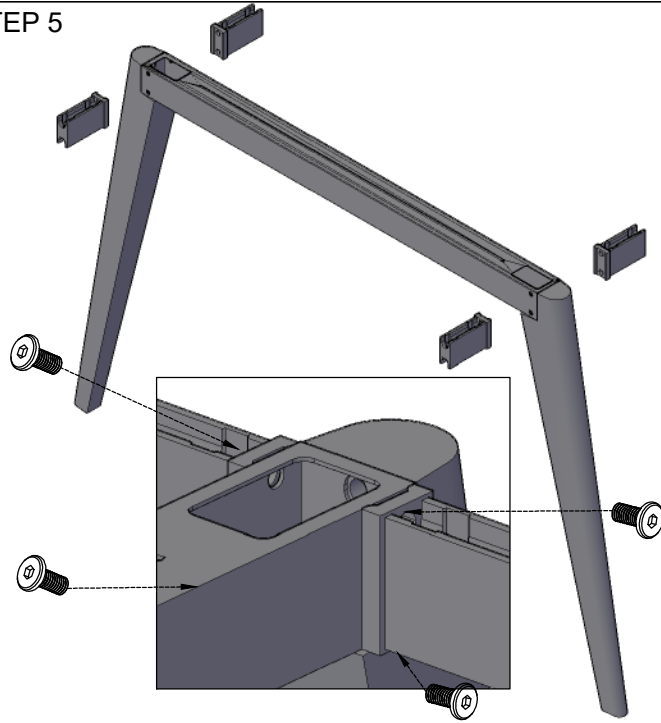
STEP 4



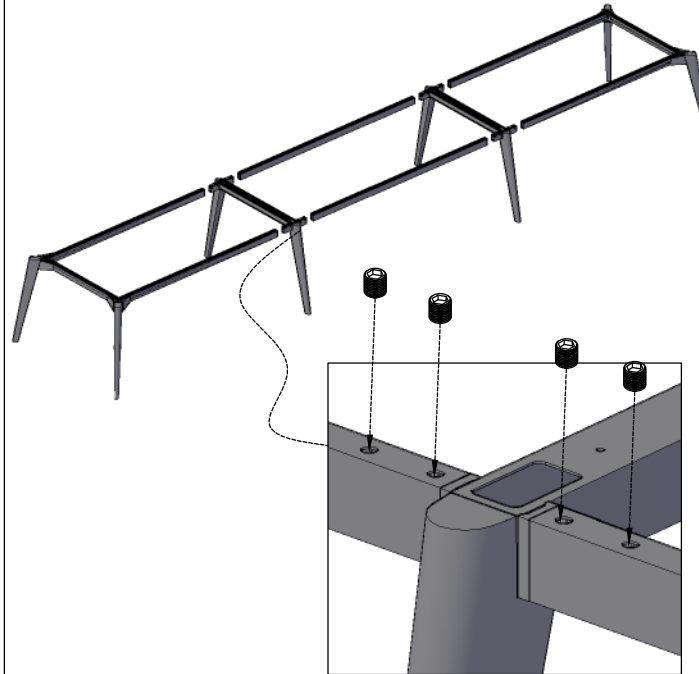


Assembly Instruction

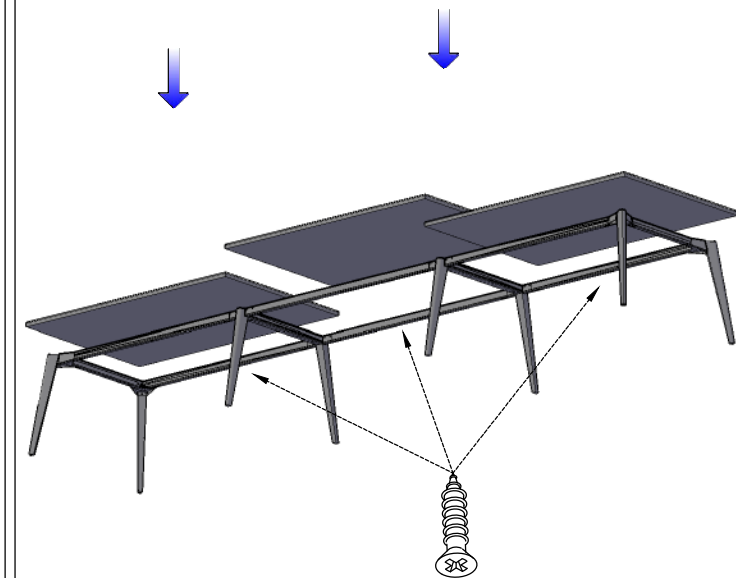
STEP 5



STEP 6



STEP 7



STEP 8

