

Table of Contents

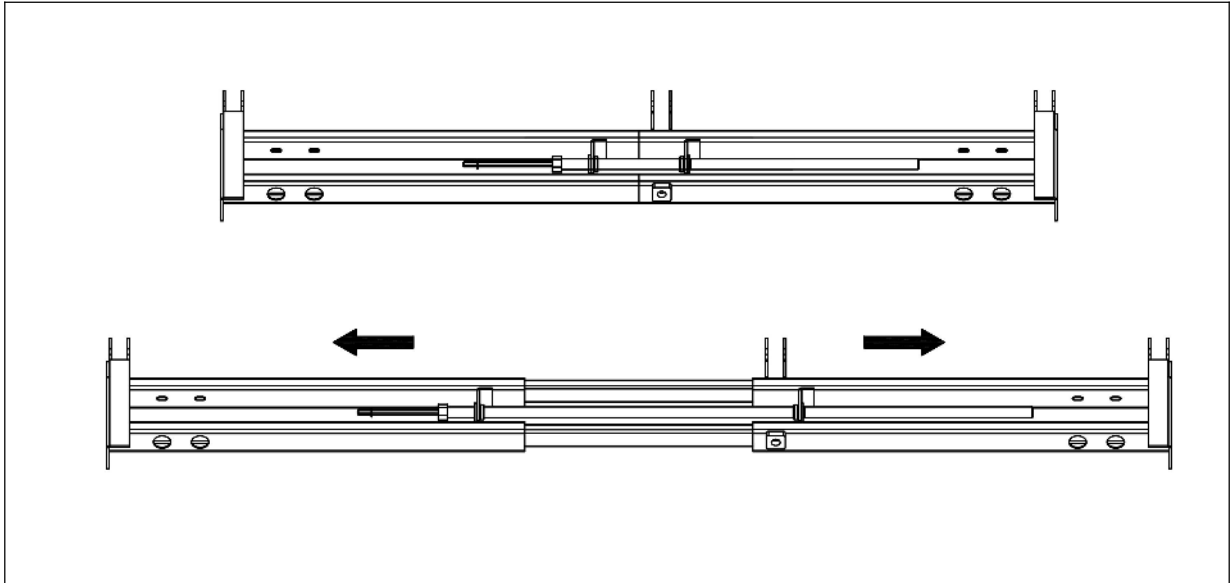
Assembly Instructions	2
Specifications	5



Assembly Instructions

Step 1

Adjust the length of top frame

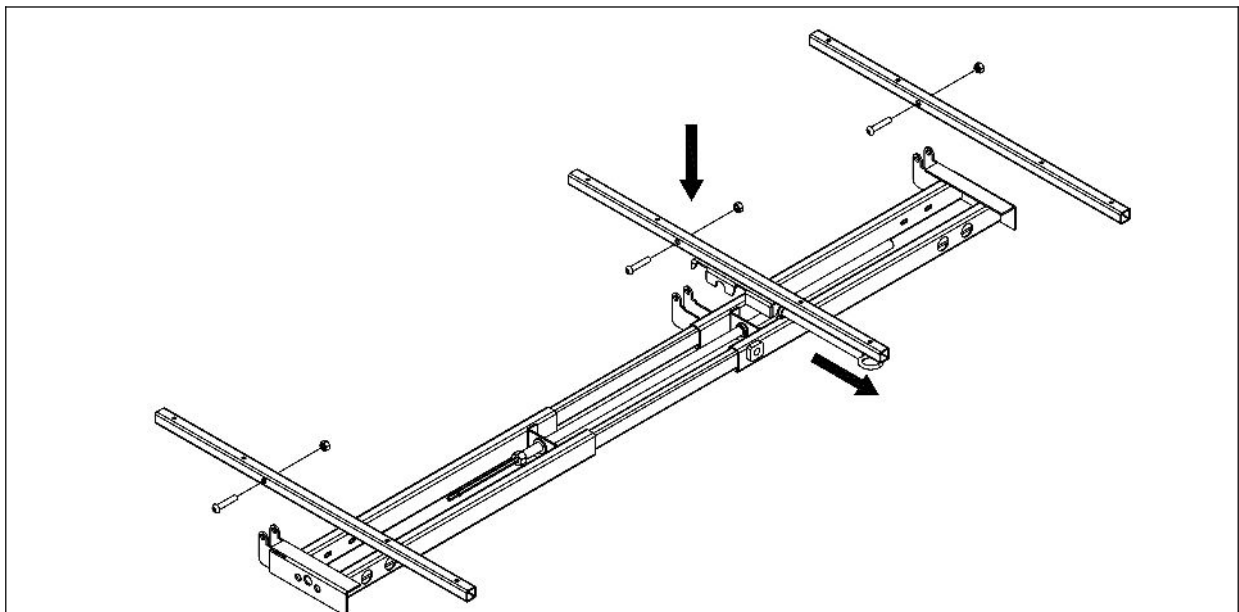


Step 2

Assembly the brackets to the top frame, Required Components:

Parts: M8x40 Bolts ,3 pcs

M8 Nylon nuts ,3 pcs

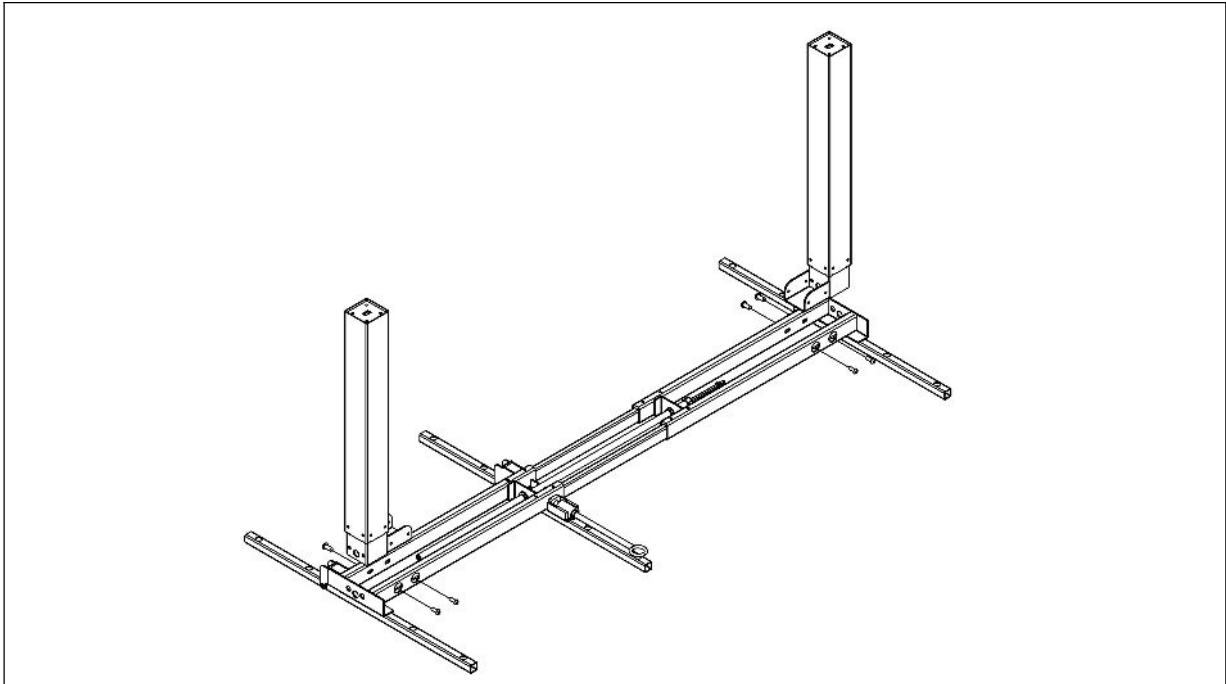


Step 3

Installed the lifting column to the top frame.

Required Components:

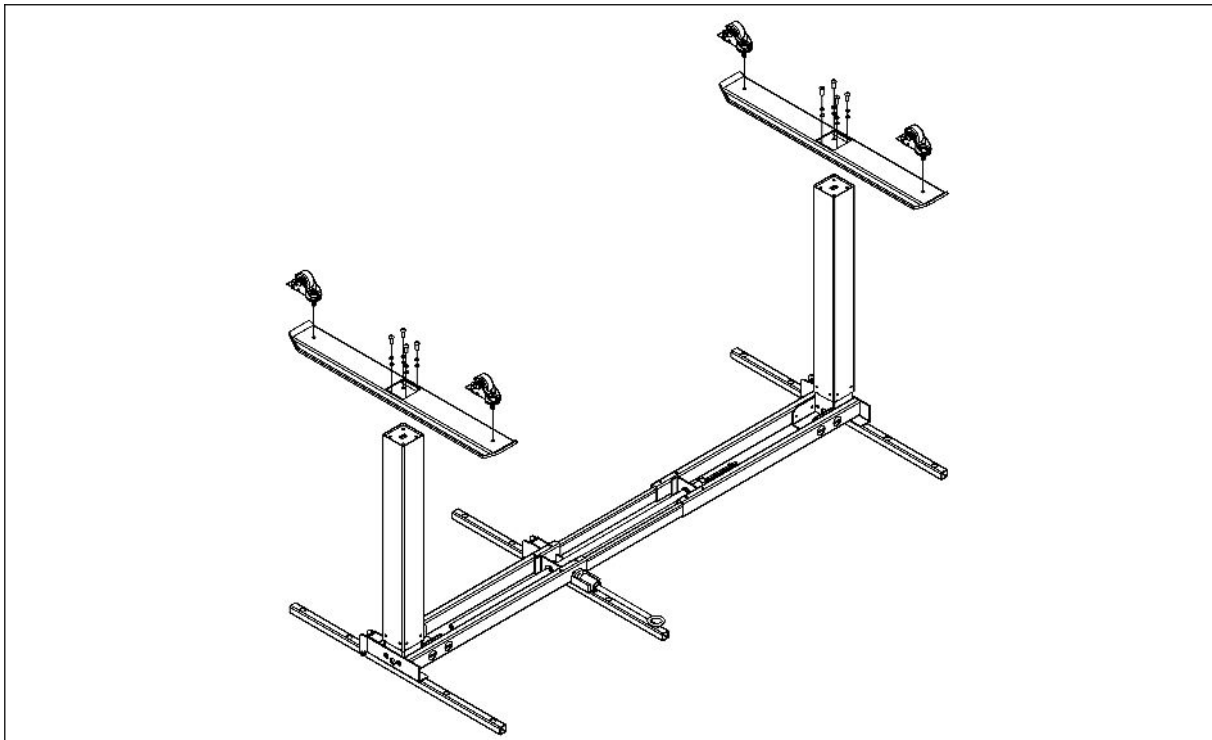
Screws M6x10 - 8pcs



Step 4

Install the table feet and castors

Required parts: M6x16 bolts ,8 pcs Castors: 4 pcs

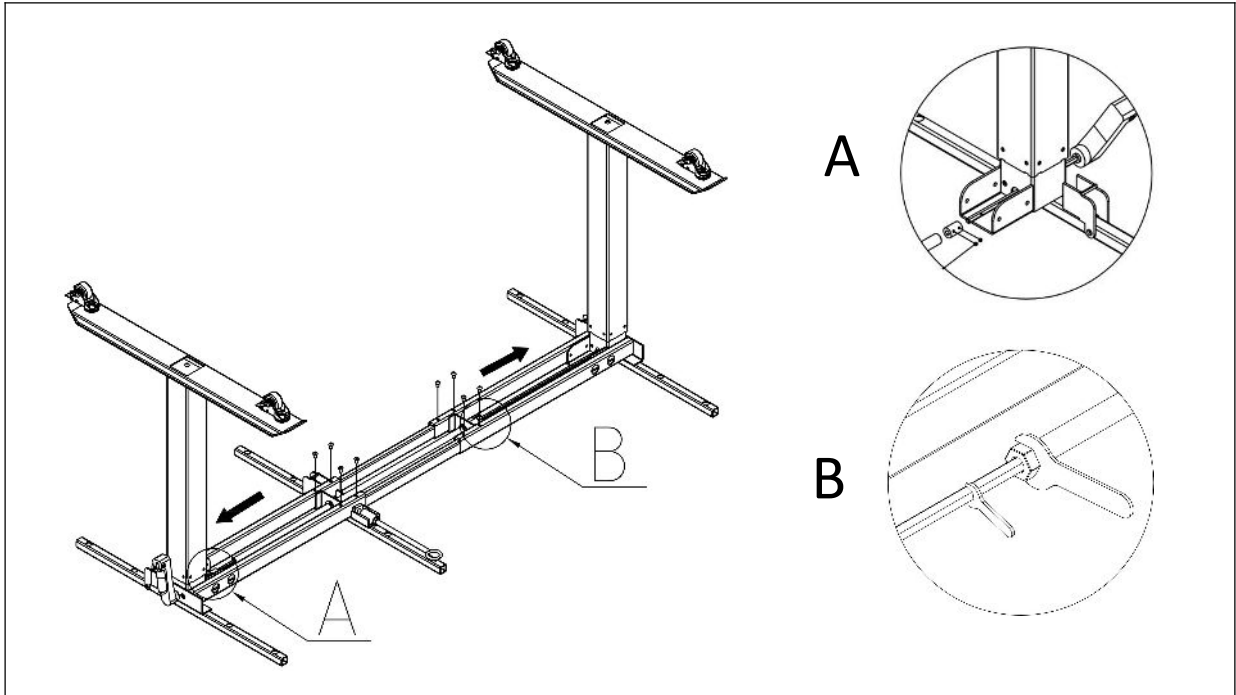


Step 5

Insert the crank handle and fix the pre-installed aluminum pipe screws to prevent crank handle pull out like A displayed.

Adjust the length of the top frame, tighten the aluminum pipe like B displayed.

Required parts: M6x10 bolts ,8 pcs

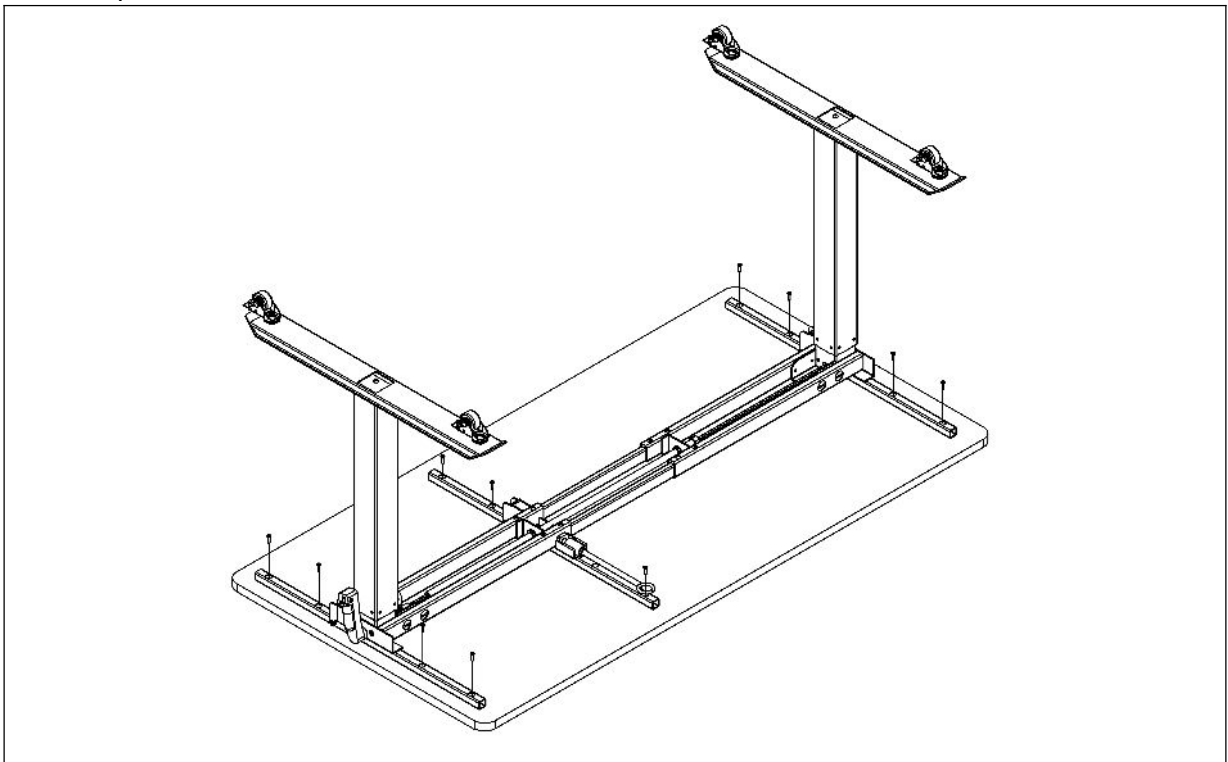


Step 6

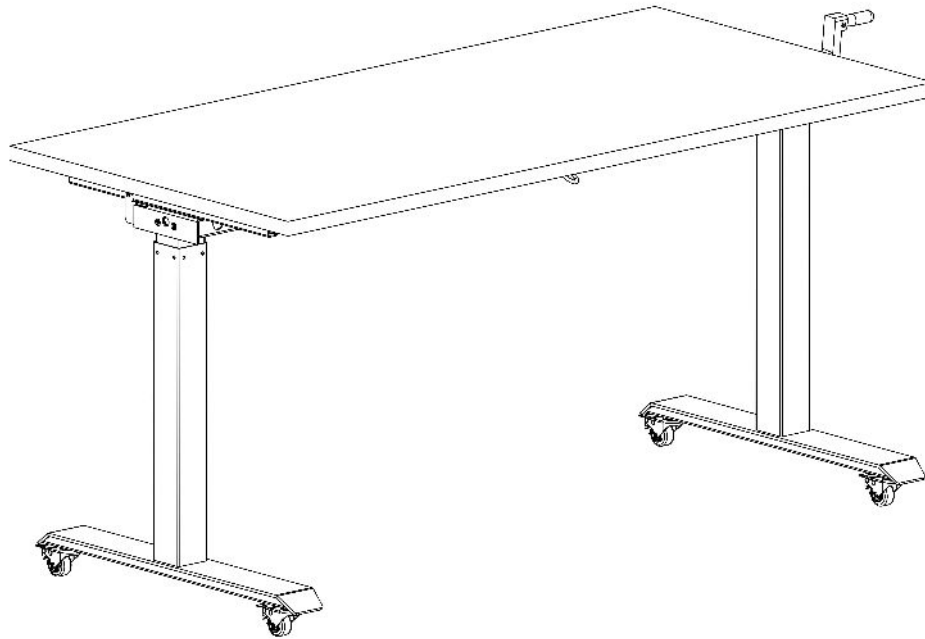
Stick the rubber pads on the top frame before table top mounted, fixed with ST4x20 Screws.

Required Components:

ST4x20- 11pcs



Specifications



Height range	700-1045mm
Length:	1200-1800mm
Load capacity:	80KG
Recommend table top	1200-2000mm
Warranty:	5 Years Limited

Features

- ▶ Use human power” to operate UP and DOWN,Pull the handle that under desk to make tabletop flip.
- ▶ Unique width adjustable base accommodates most different-sized desktops
- ▶ Raises and lowers from 700mm to 1045mm
- ▶ Crafted from rolled stamped steel for superior strength and stability
- ▶ Offers a fine powder coat finish for maximum durability