



## ASSEMBLY INSTRUCTIONS:

Product Code : GLOW-CH

Product Name: Glow Office Chair

### TIME REQUIRED:

15 minutes

### TOOLS REQUIRED:

Screwdriver, Electric Drill, Pencil, Measuring tape/Ruler

\*Tools are not included.

### SKILL REQUIRED:

Easy ●●●○○ Hard

The Assembly Skill Rating is a 5-point system that shows the degree of effort needed in assembling a specific product. With 1 being easy for the average person and 5 requiring an expert. For most products, two persons are recommended.

#### NOTE

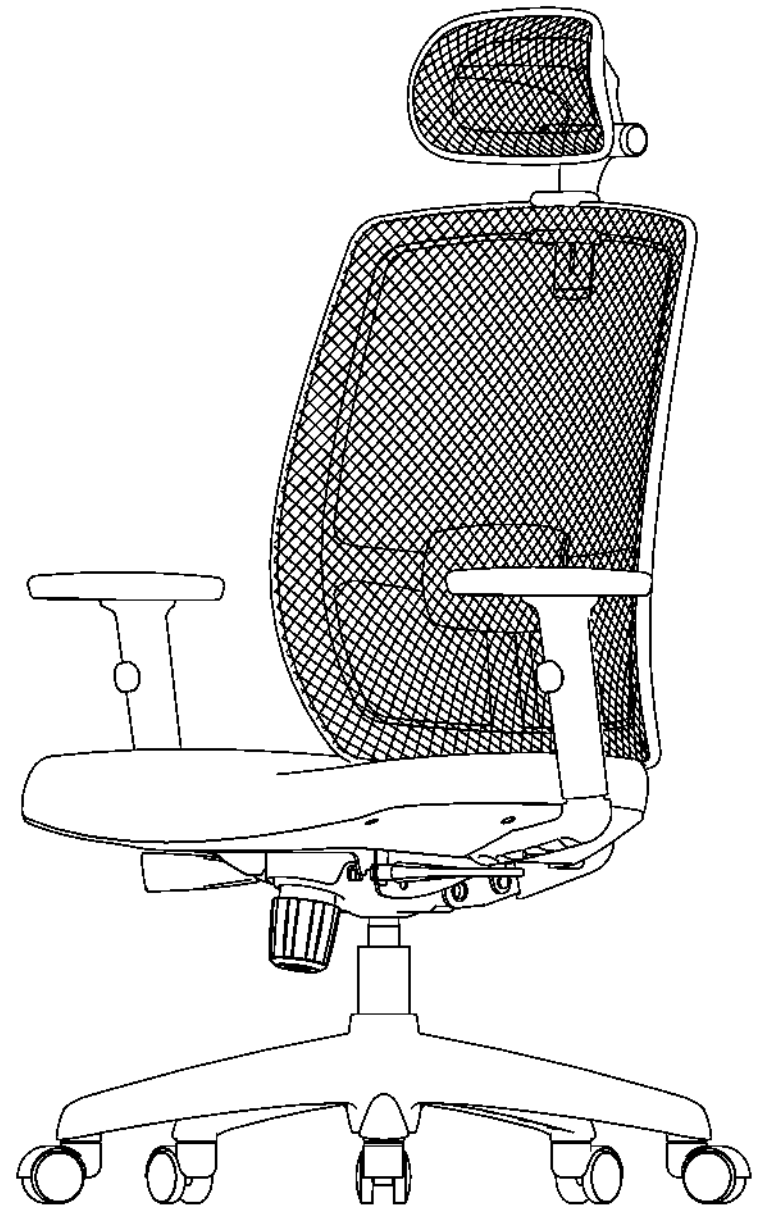
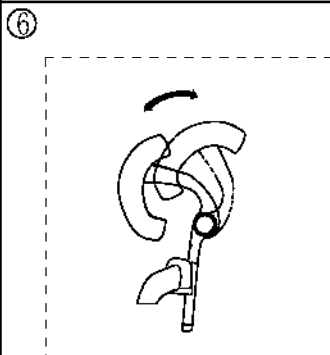
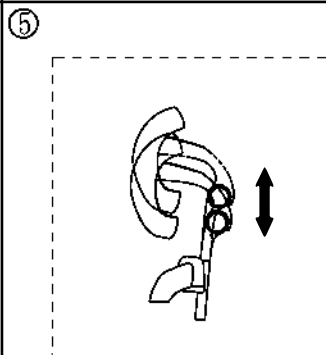
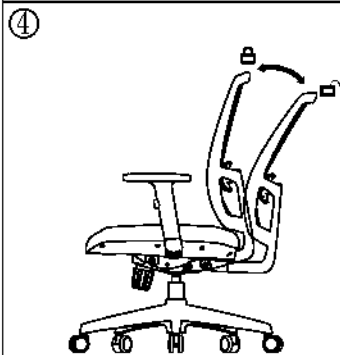
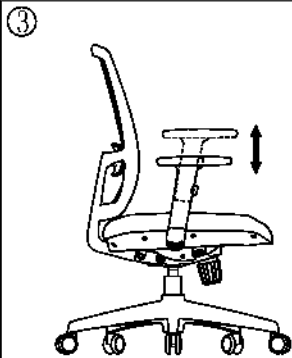
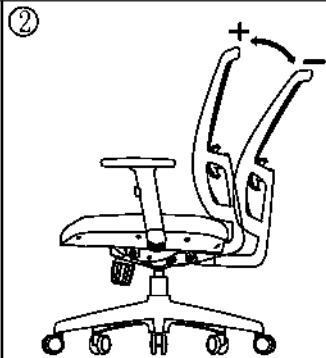
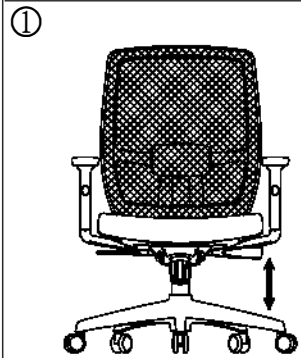
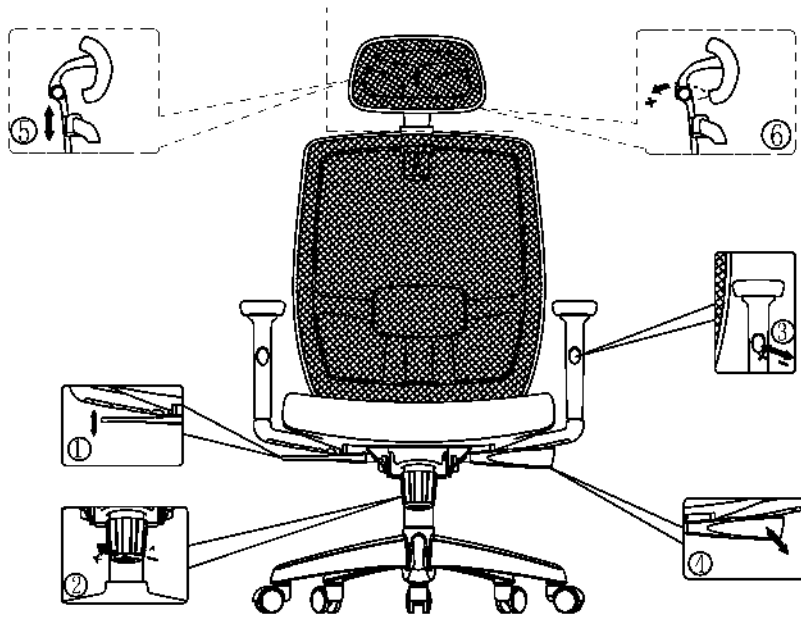
- As this is a commercial product, some intermediate skills may be required.
  - No pre-drill holes or markings are provided on our table or desk tops.
    - Please check you have all hardware before assembling.
- If you are missing any hardware, please contact your Danny reseller. Please ensure you have the name of the item, required hardware part and quantity.
  - Please retain your receipt as proof of purchase to validate your warranty.
- Assemble on a clean, flat, smooth surface such as a rug or carpet to avoid parts from being scratched.
  - Remove all wrapping materials, including staples and packing straps before you start to assemble
    - Keep all hardware parts out of reach of children.

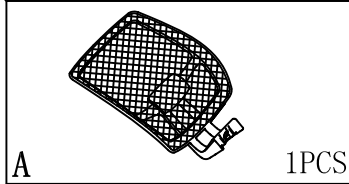
#### CAUTION

- Heavy product. Do not attempt to lift or move without help
- Do not tighten screws and bolts until completely assembled.
- Do not use this product unless all bolts and screws are firmly secured and tightened.

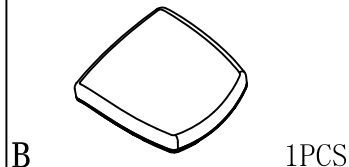
#### WARNING

- If parts are missing, broken, damaged or worn stop using the product until all repairs are made.
  - Failure to follow these warnings could result in serious injury.

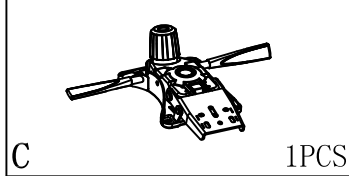




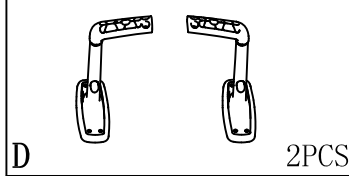
A 1PCS



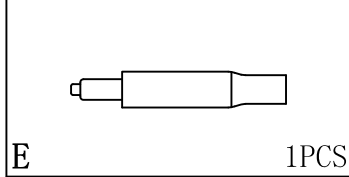
B 1PCS



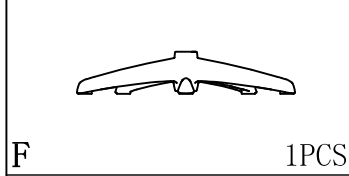
C 1PCS



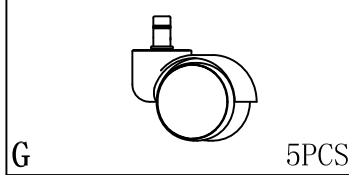
D 2PCS



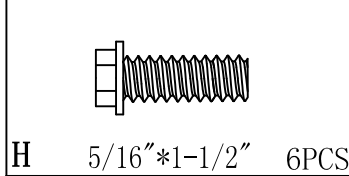
E 1PCS



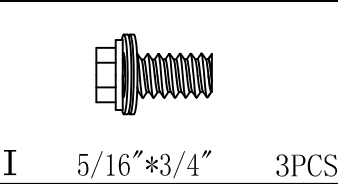
F 1PCS



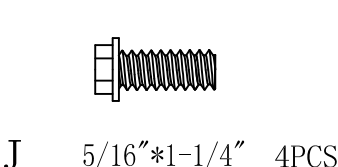
G 5PCS



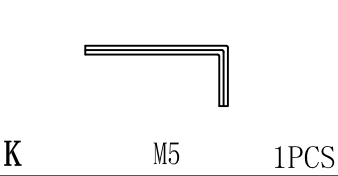
H 5/16" \* 1-1/2" 6PCS



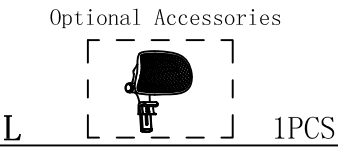
I 5/16" \* 3/4" 3PCS



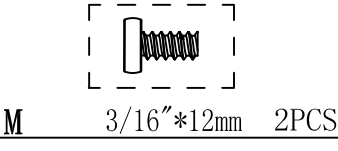
J 5/16" \* 1-1/4" 4PCS



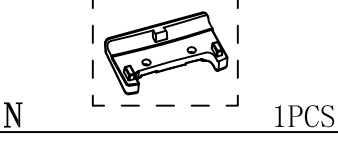
K M5 1PCS



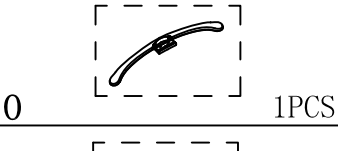
L Optional Accessories 1PCS



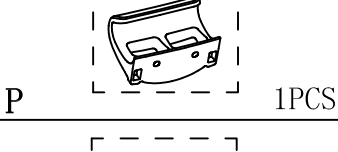
M 3/16" \* 12mm 2PCS



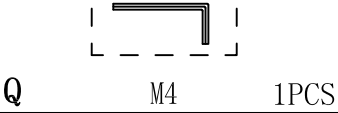
N 1PCS



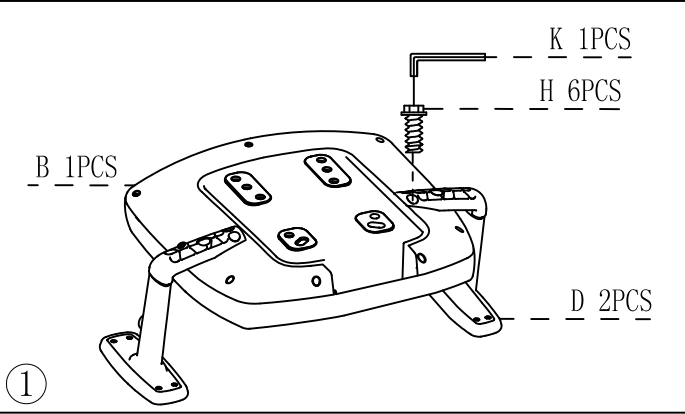
O 1PCS



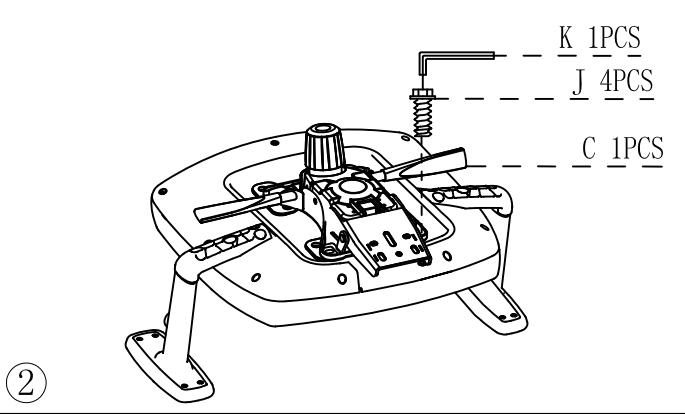
P 1PCS



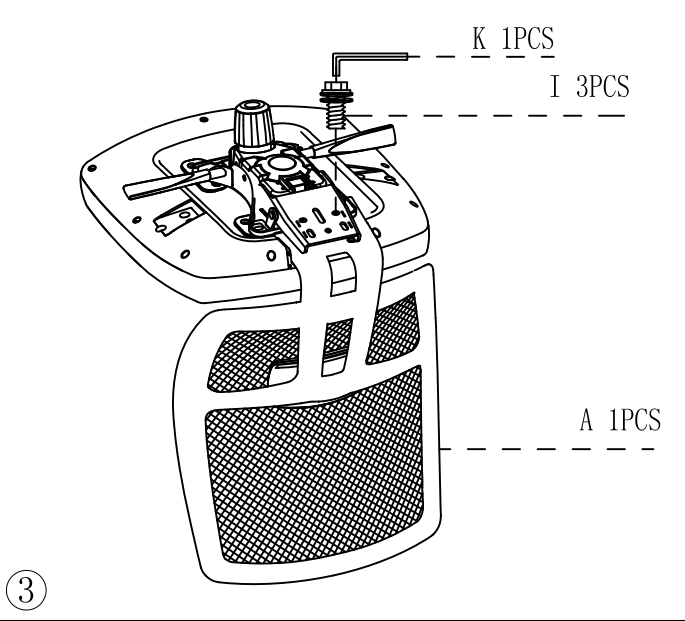
Q M4 1PCS



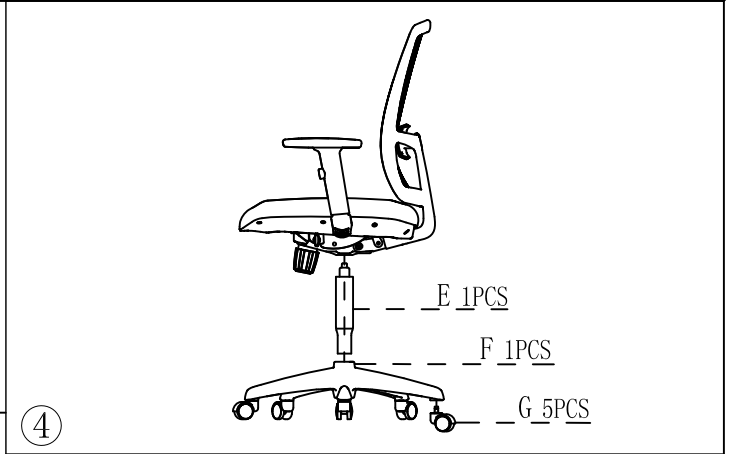
B 1PCS H 6PCS K 1PCS



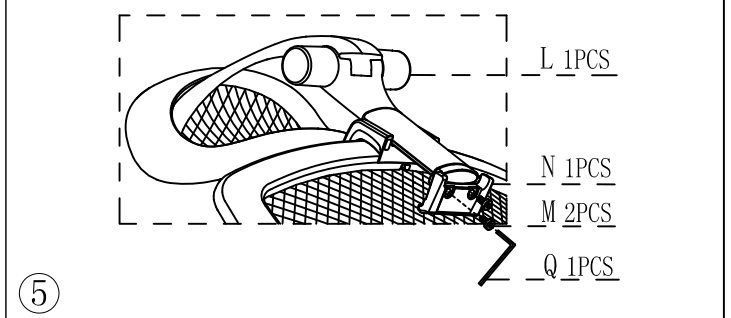
C 1PCS J 4PCS K 1PCS



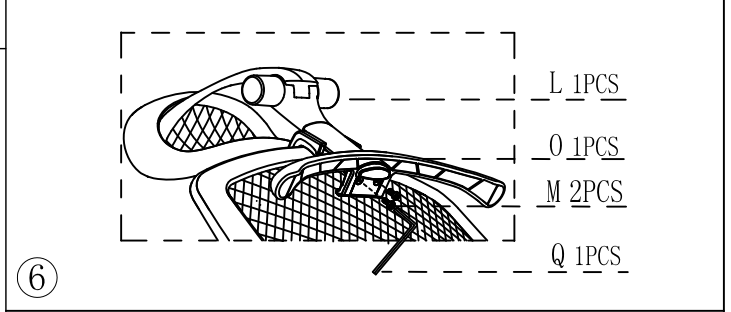
A 1PCS I 3PCS K 1PCS



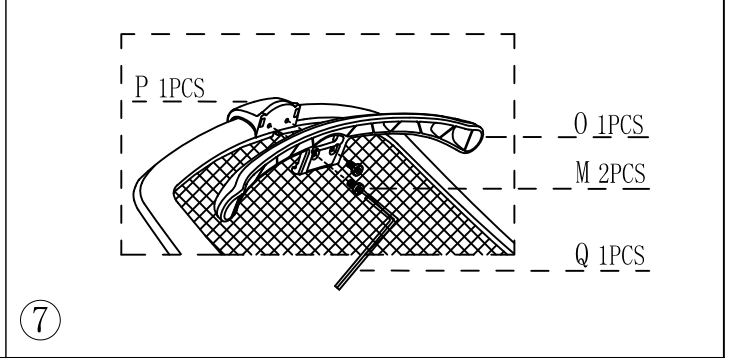
E 1PCS F 1PCS G 5PCS



L 1PCS M 2PCS N 1PCS



L 1PCS M 2PCS Q 1PCS



P 1PCS M 2PCS Q 1PCS