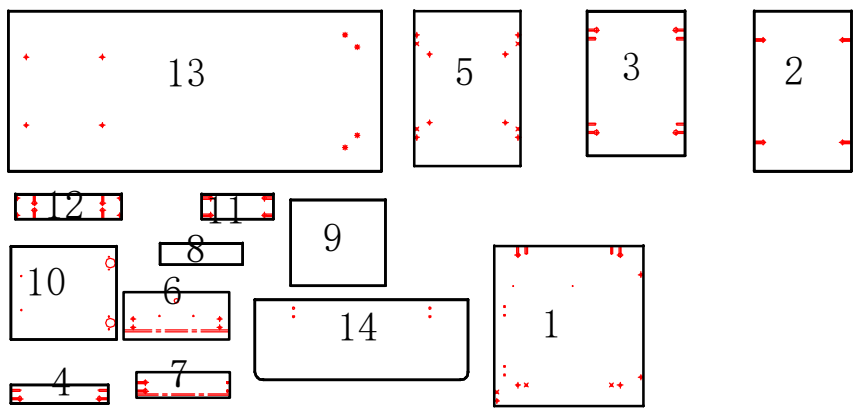
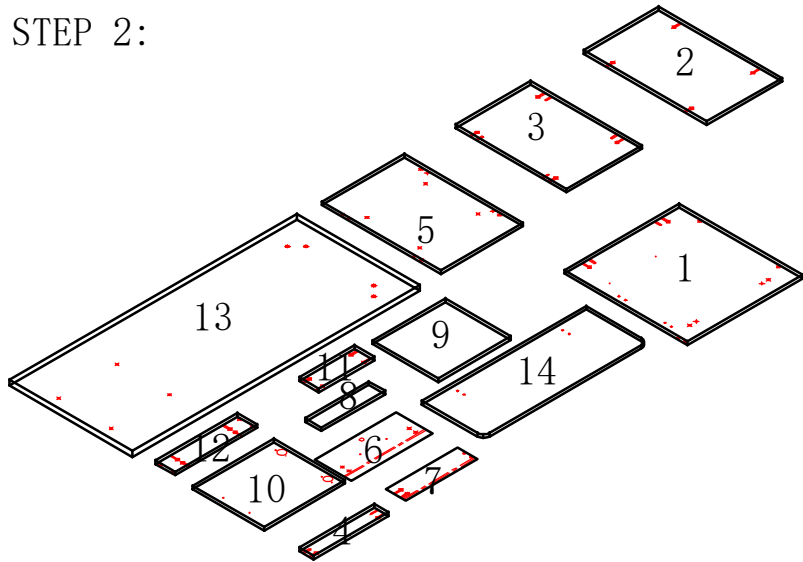


KL-201

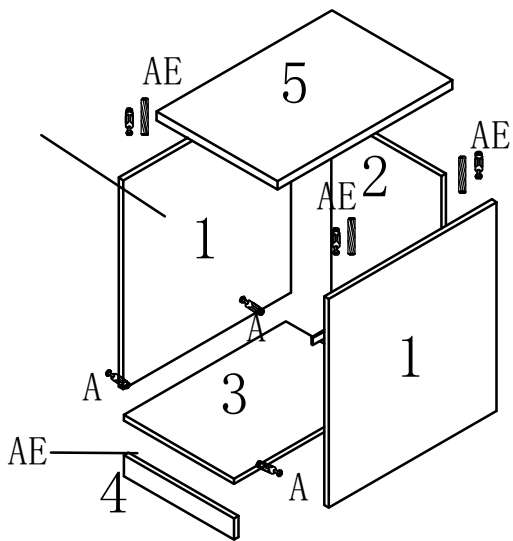
STEP 1:



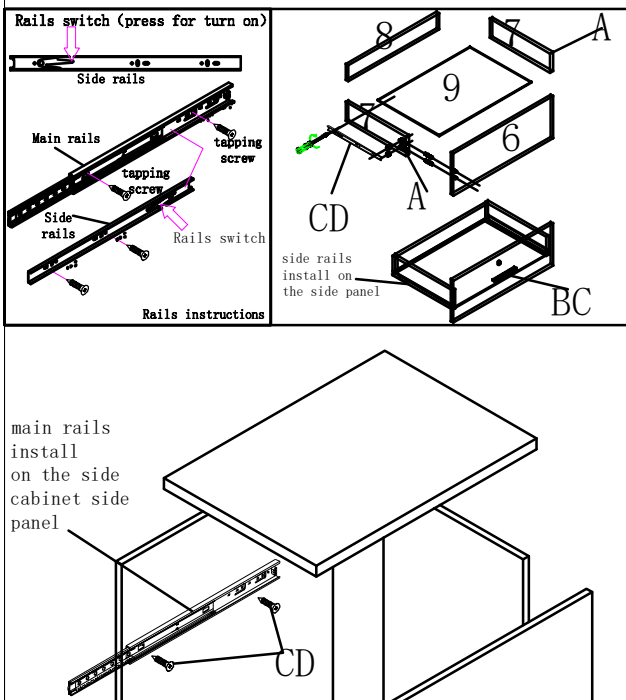
STEP 2:



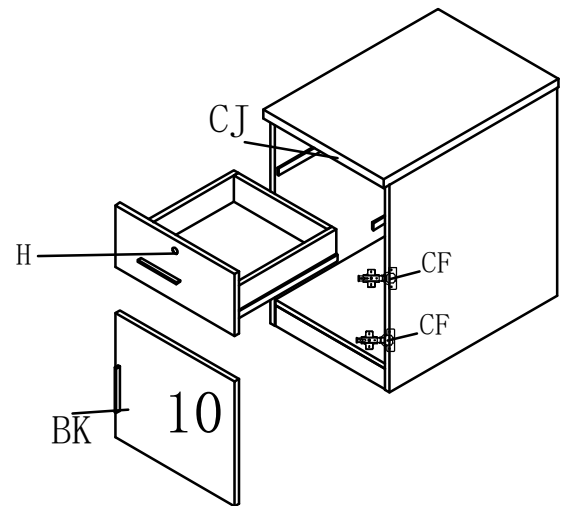
STEP 3:



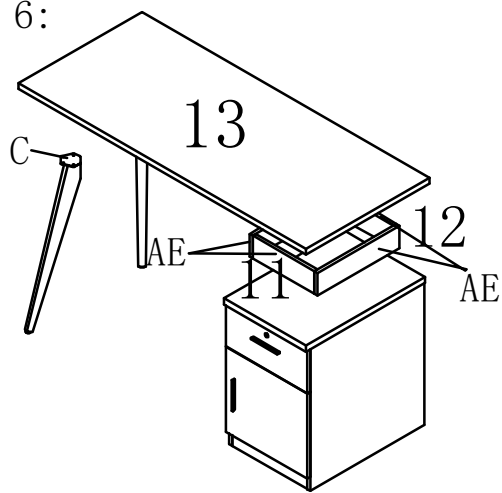
STEP 4:



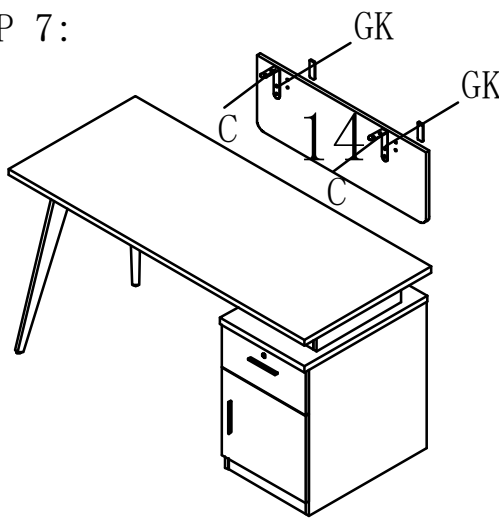
STEP 5:



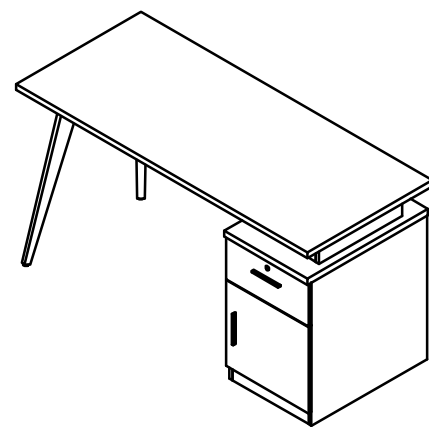
STEP 6:



STEP 7:



STEP 8:



NO.	Diagram	Spec	QTY
A	pin+cam	Ø6*40	34
B	handle		2
C		Ø3.5*14	14
		Ø3.5*30	4
		Ø4*16	12
		Ø4*20	16
		Ø5*25	4
D	rails	14"	1
E	Dowel	Ø8*40	10
F	hinges		2
G	hanging code	L=120mm	2

NO.	Diagram	Spec	QTY
H	drawer lock		1
I			
J	lock plate		1
K		M6*16	4
		M4*18	5
O	Allen Key		1
P	screw driver	Not Supplied	

