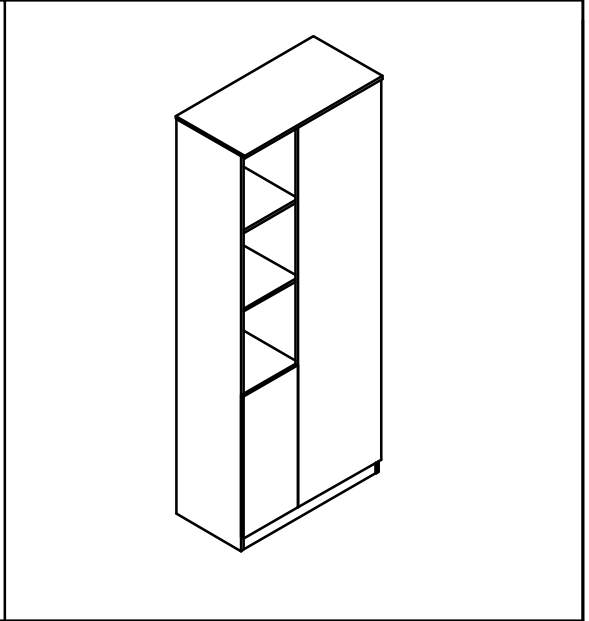
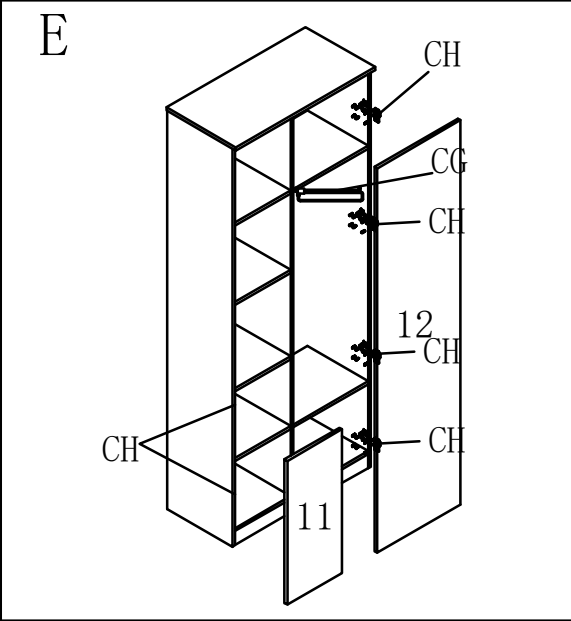
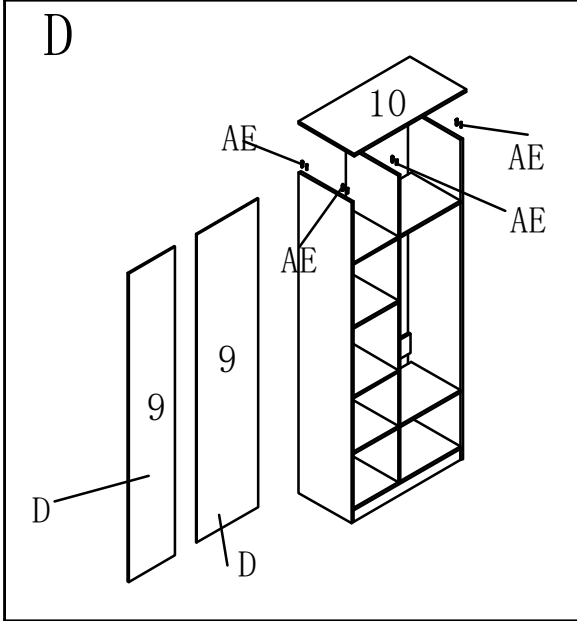
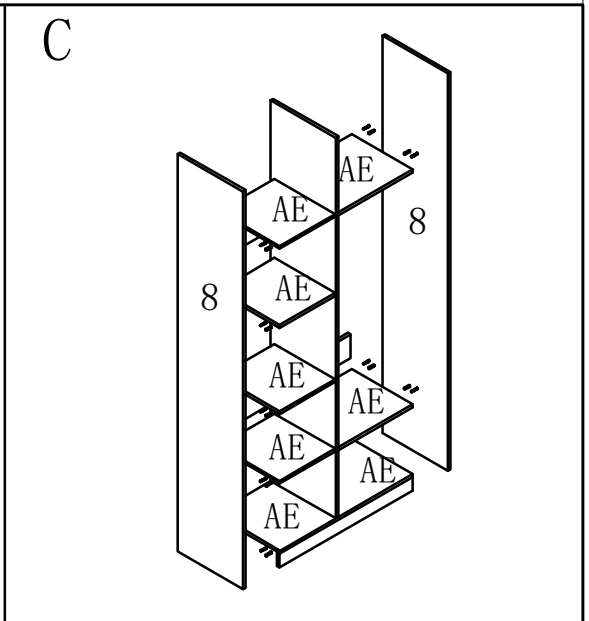
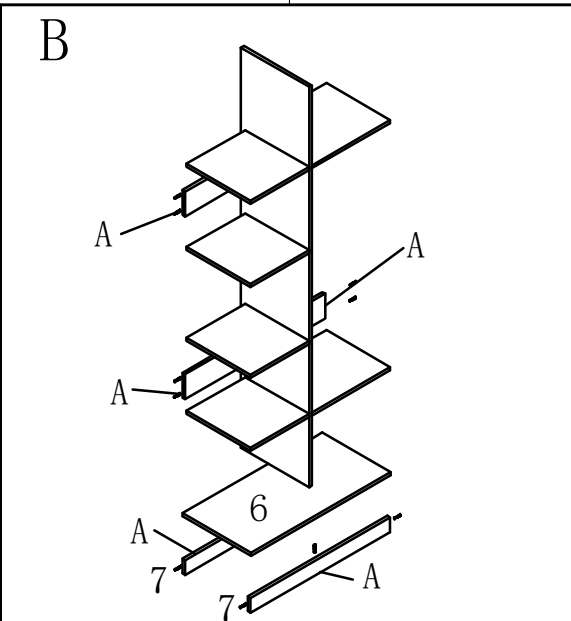
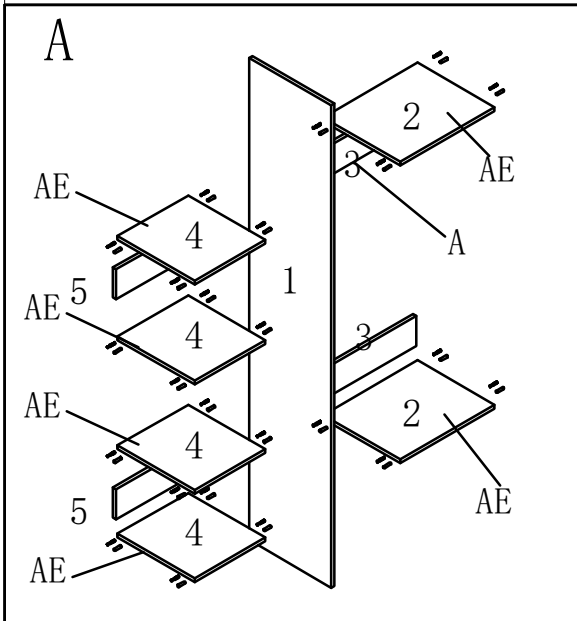
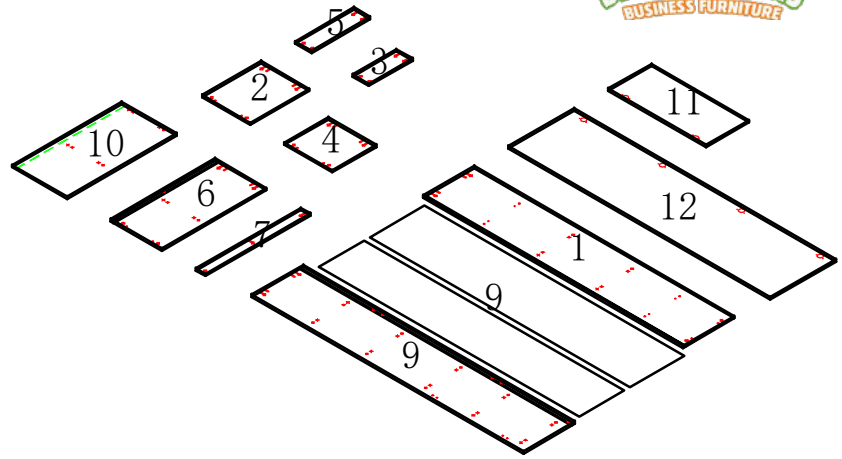
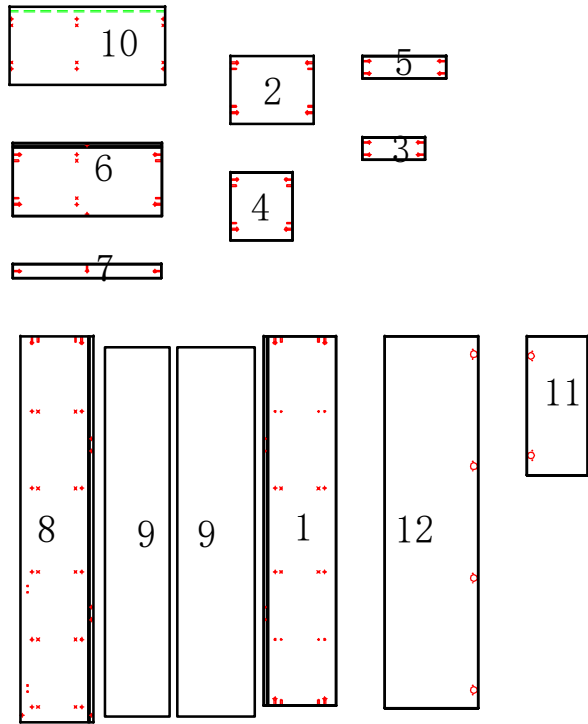


KL-501



NO.	Diagram	Spec	QTY	NO.	Diagram	Spec	QTY
A	pin+cam	∅6*40	58	E	Dowel	∅8*40	32
B	shelf support	∅20	13	H	hinges		6
C	tapping screw	∅3.5*20	12	G	Clothes rail		1
		∅4*16	40				
D	Backplane reinforcement		12	H	Allen Key		1
						screw driver	Not Supplied