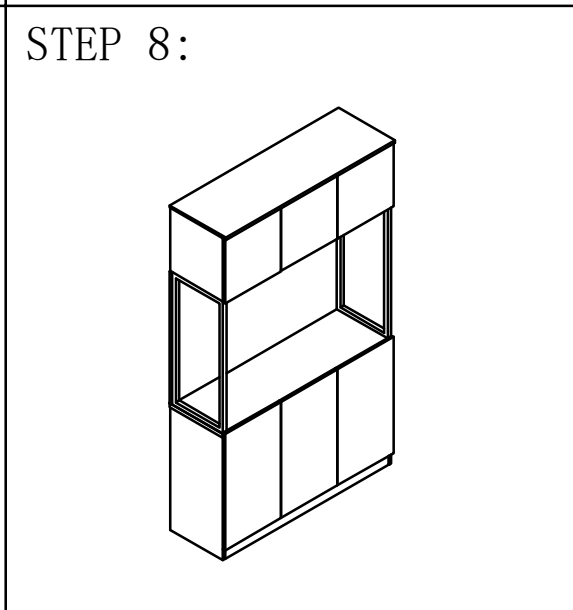
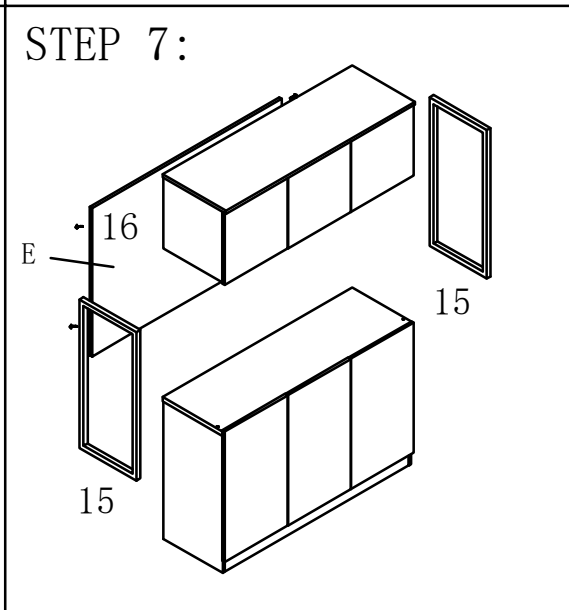
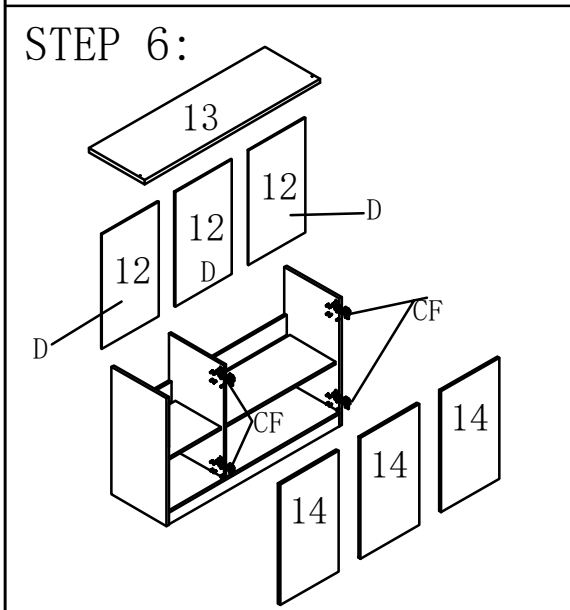
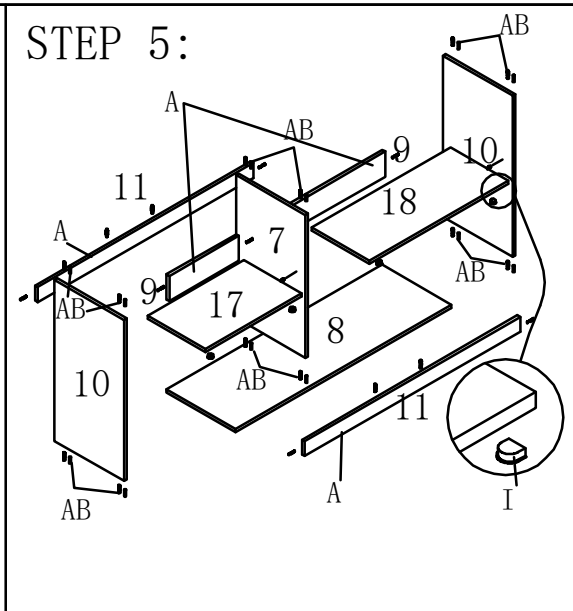
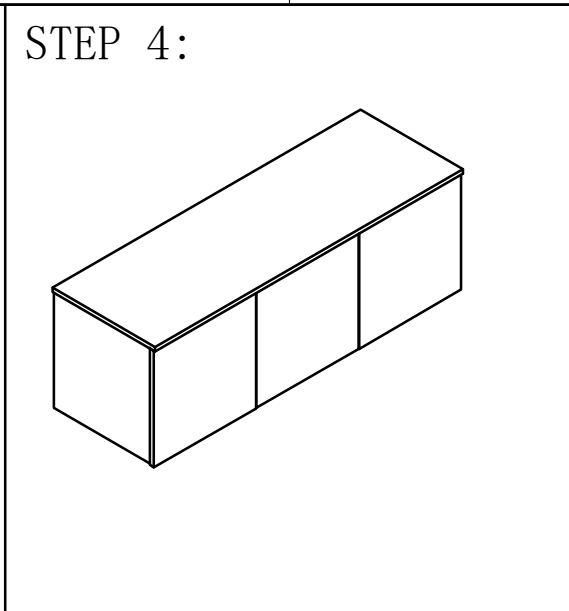
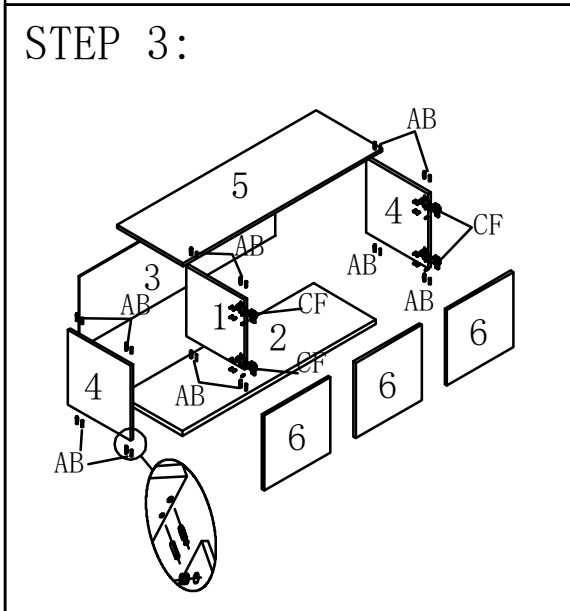
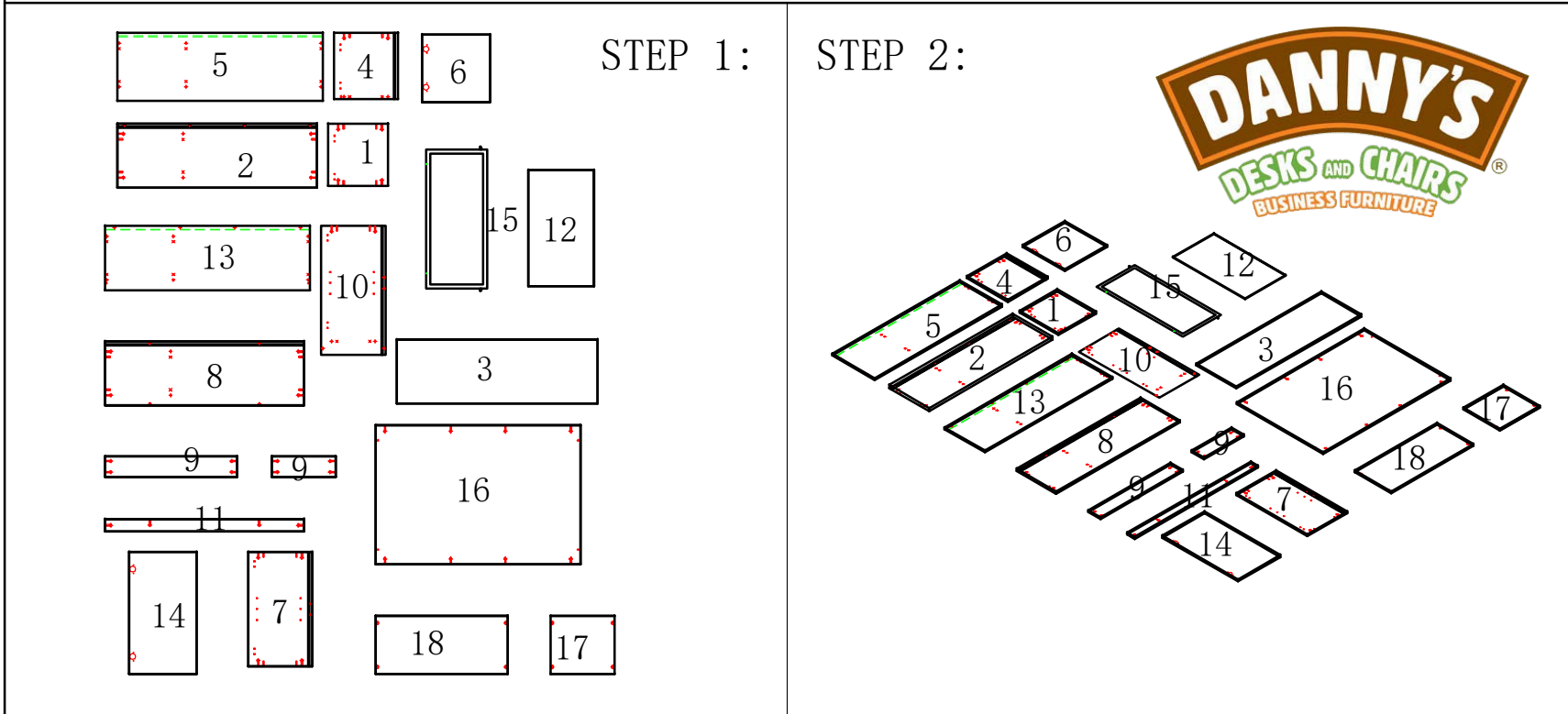
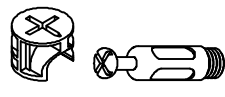


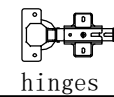
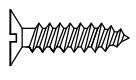

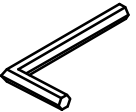
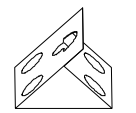
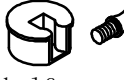



KL-502



NO.	Diagram	Spec	QTY		NO.	Diagram	Spec	QTY
A		φ6*40	48		E		M6*30	4
B		φ8*40	24		F			12
C		φ3.5*20	20		G		L=670	1
		φ4*16	72		H			1
D			20		I		φ20	9
								Not Supplied