



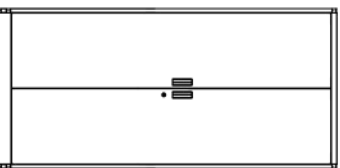
RHS SIDE



LHS SIDE



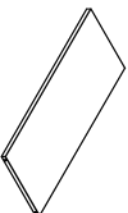
BACK PANEL



FRONT PANEL



TOP PANEL



BASE PANEL



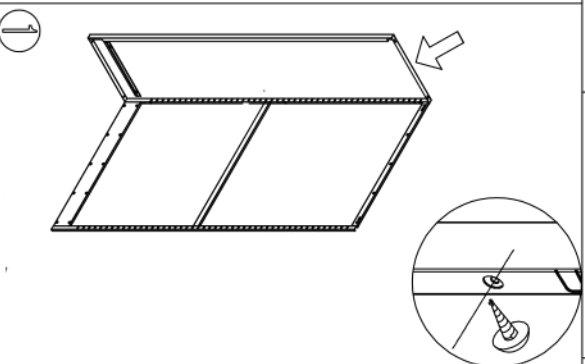
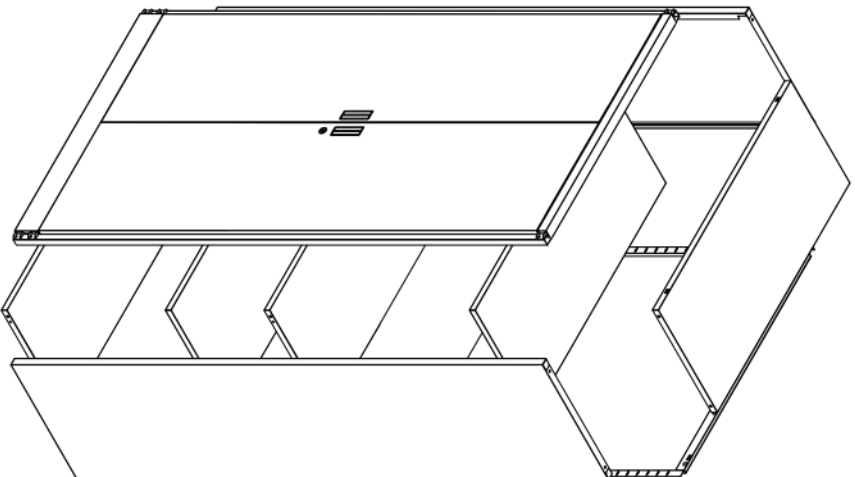
4 x SHELVES



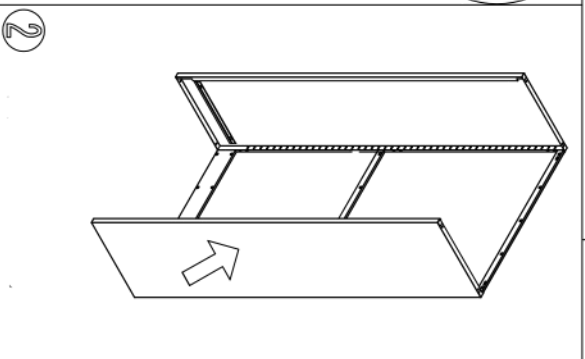
SHELF CLIPS



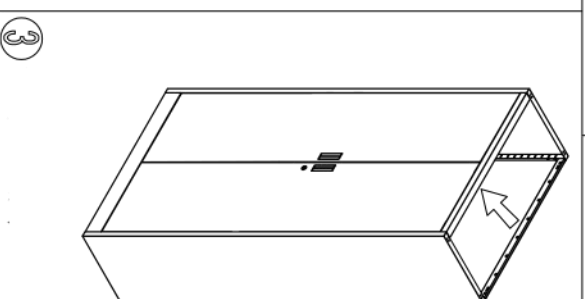
SCREWS



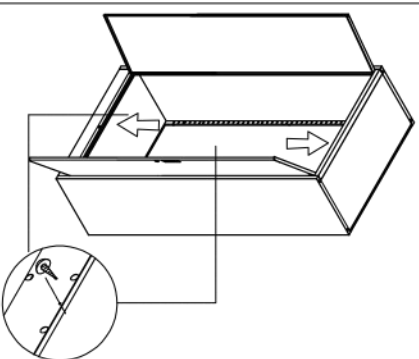
1



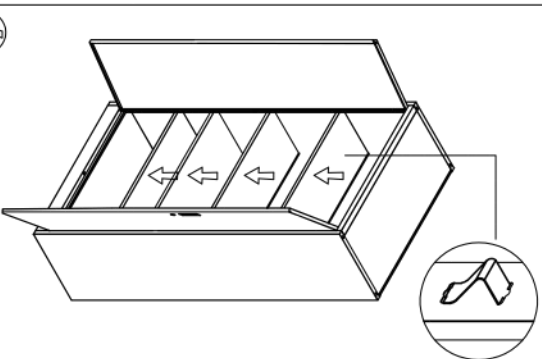
2



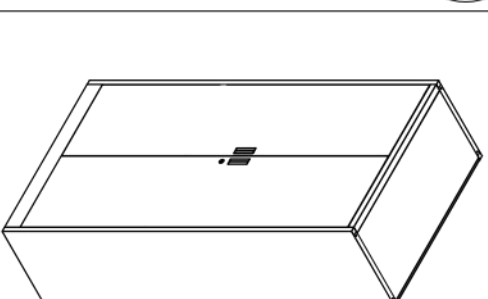
3



4



5



6