

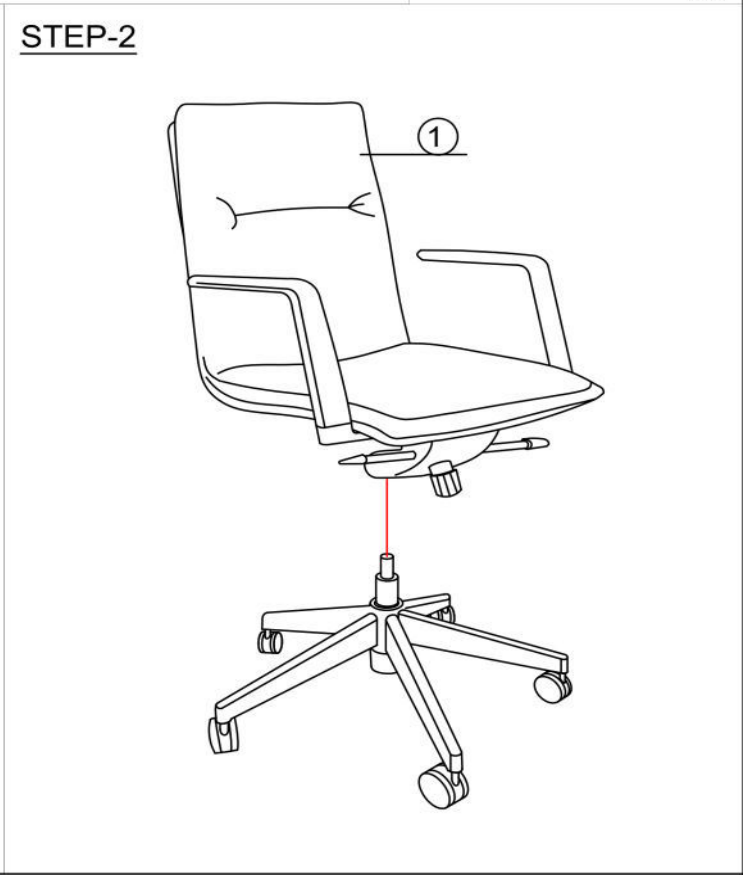
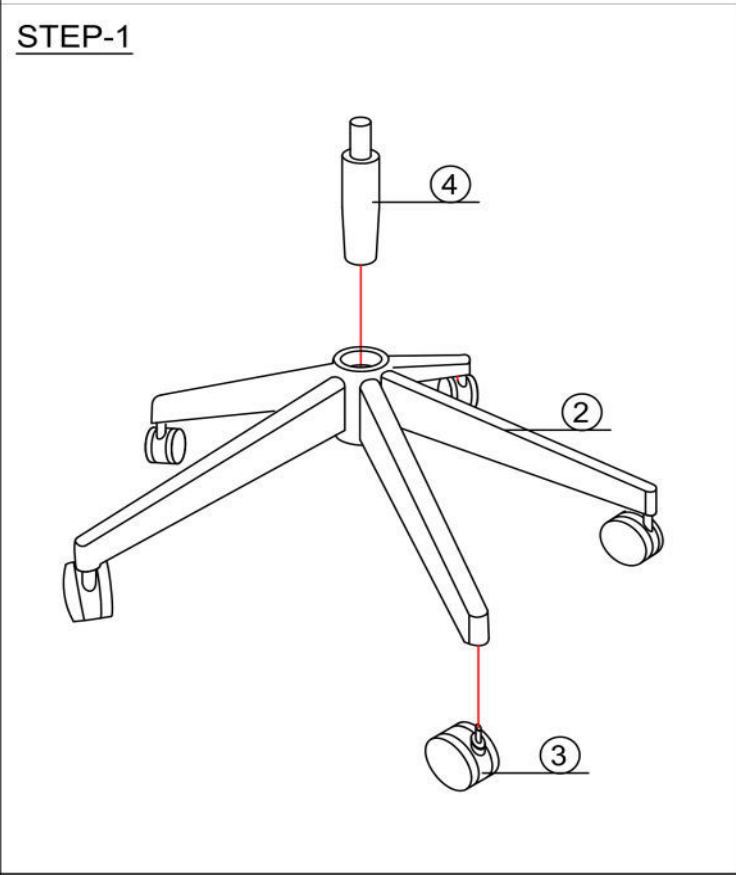
# Assembly Instructions:

Product Code: PHANTOM-MB-BK

Product Name: Phantom Medium Back Chair



	<b>Back</b>  1 1PC
	<b>Star Base</b>  2 1PC
	<b>Castor</b>  3 5PCS
	<b>Gaslift</b>  4 1PC



**IMPORTANT NOTE:**

- Place all laminated parts on a clean and smooth surface such as a rug or carpet to avoid the parts from being scratched.
- Check to be sure that you have all parts and hardware.
- Remove all wrapping materials, including staples & packing straps before you start to assemble.
- Don't tighten all screws/bolts until all completely assembled.
- Keep all hardware parts out of reach of children