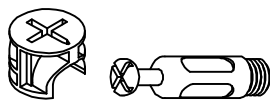
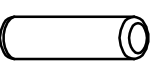

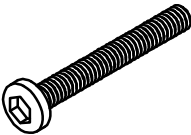


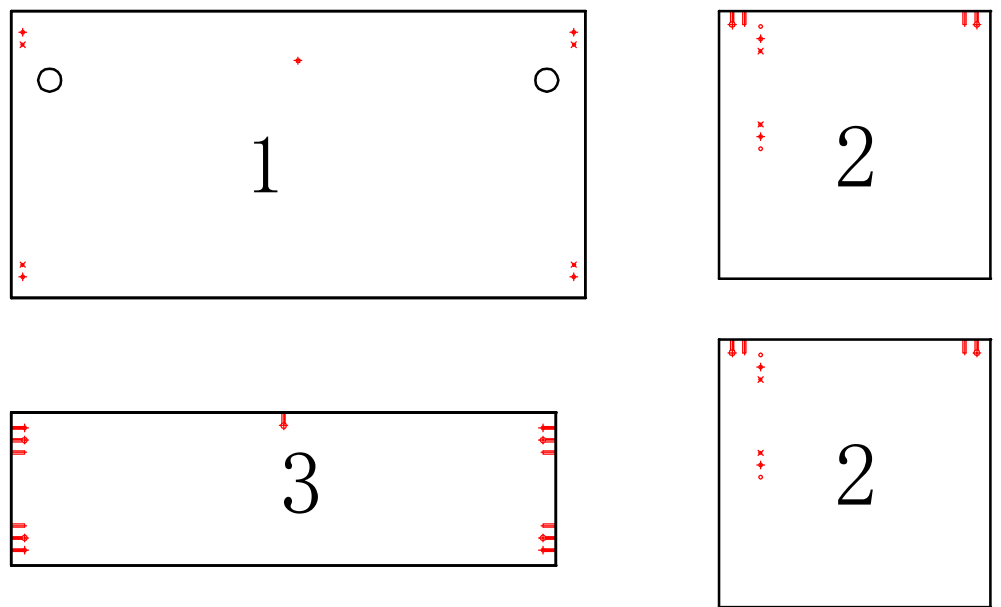


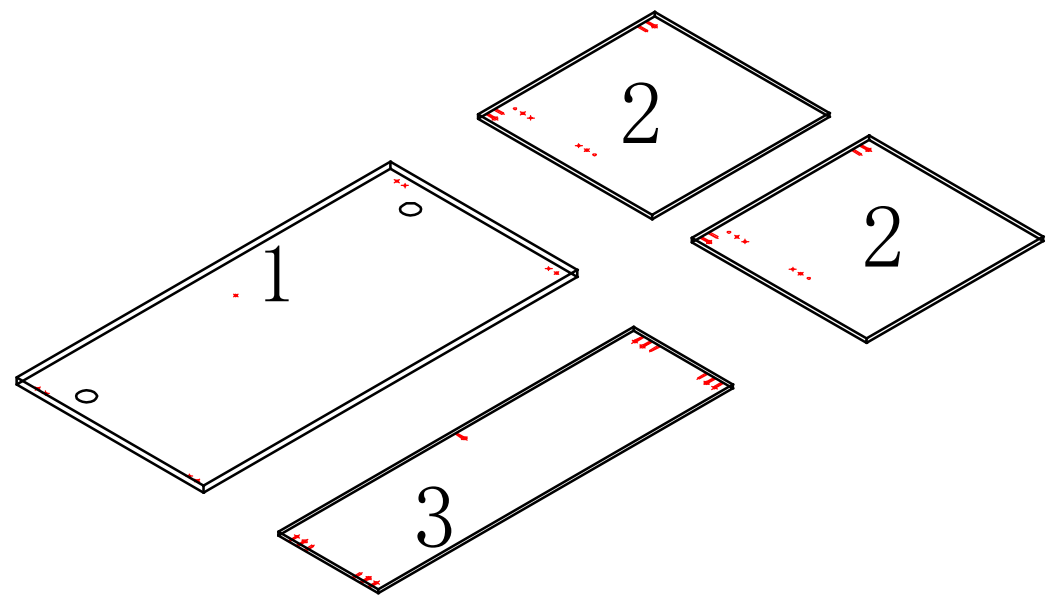
WON-1875

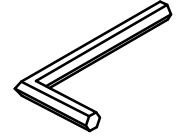
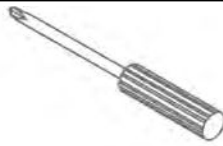
- A  Pin + cam  
X 10pcs
- B  Dowel  
X 9pcs
- C  sticker  
X 14pcs
- D  Bolt  
X 4pcs
- E  Threaded insert  
X 4pcs
- F  Cable cap  
X 2pcs

STEP 1:

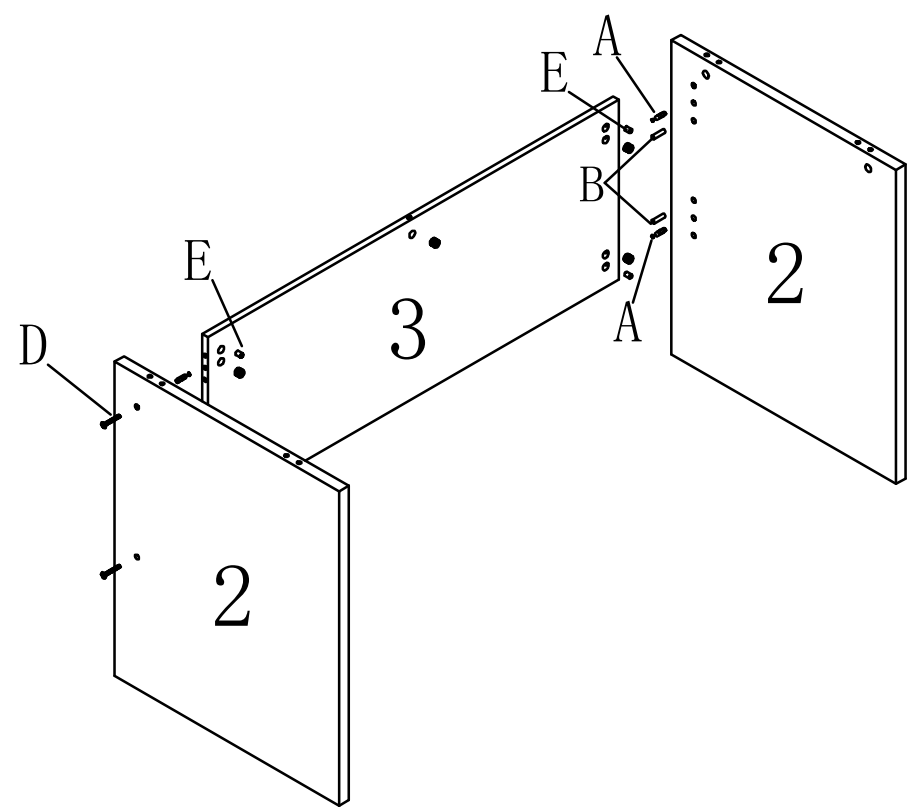


STEP 2:



- G  Allen Key  
X 1pcs
- H  Screw Driver  
Not Supplied

STEP 3:



STEP 4:

