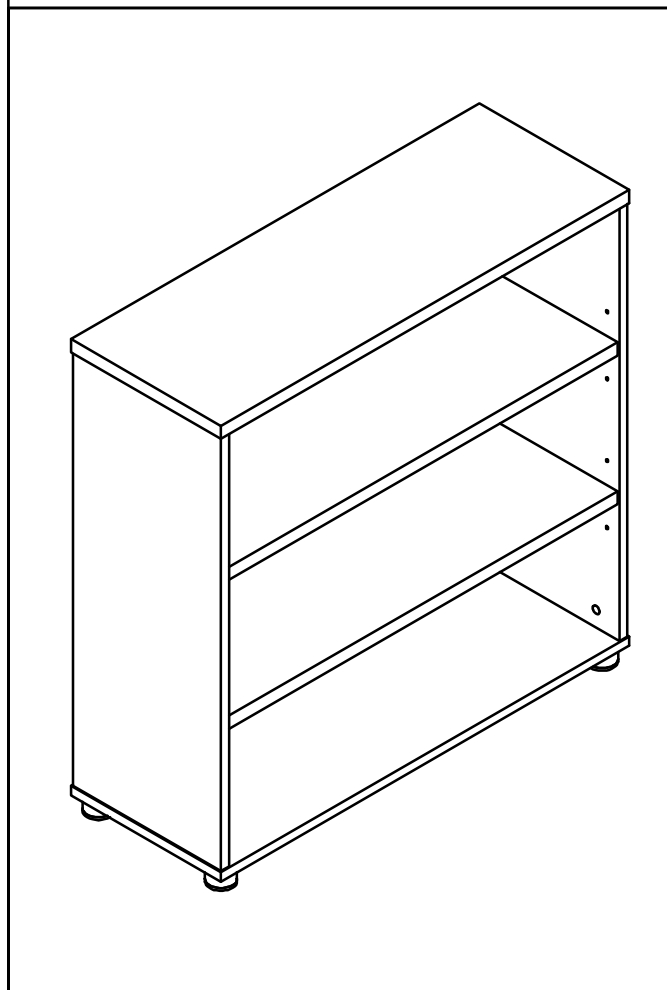
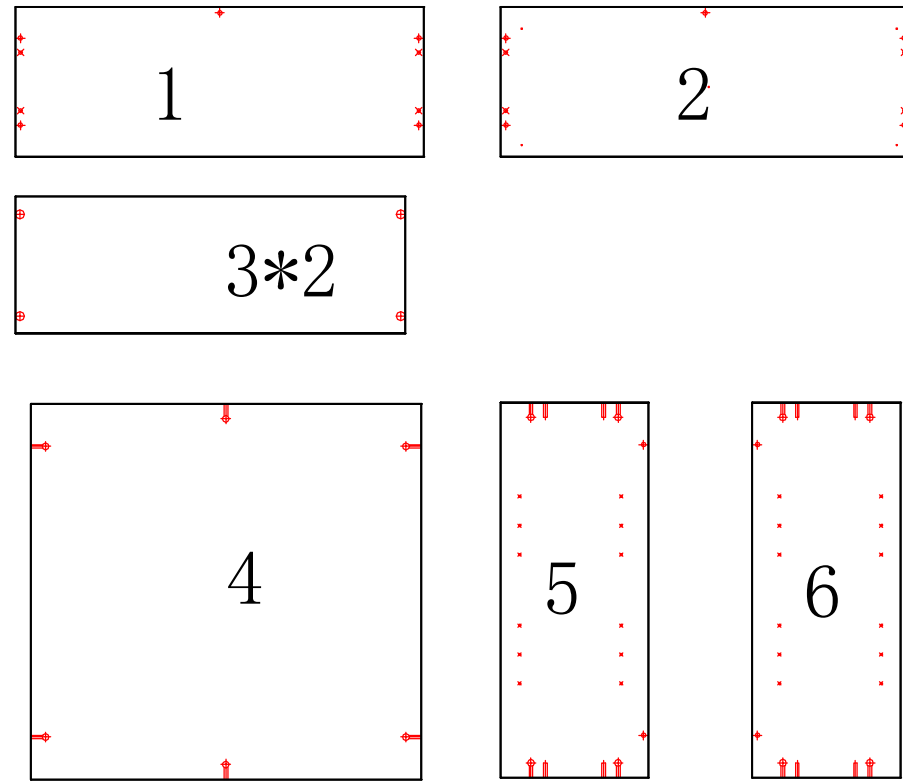


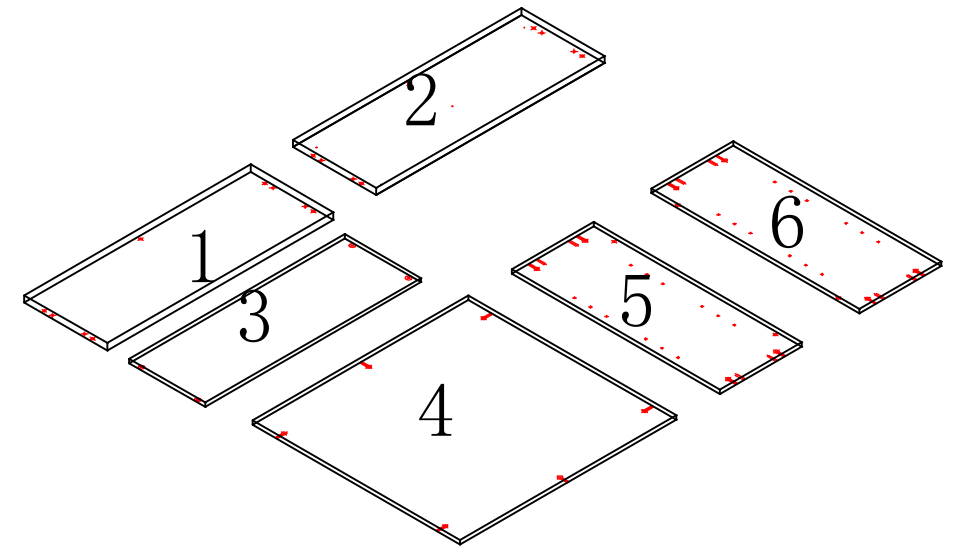
WON-BC9 900*330*900



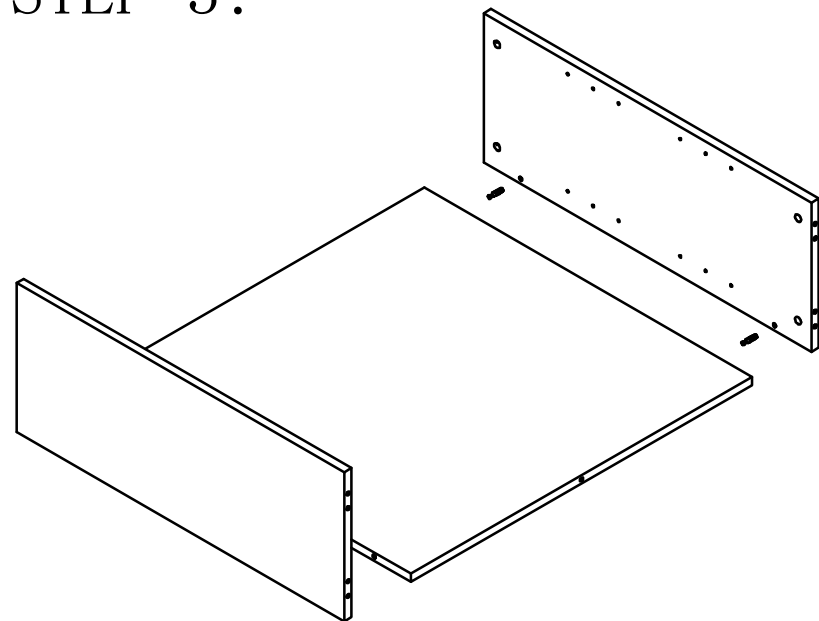
STEP 1:



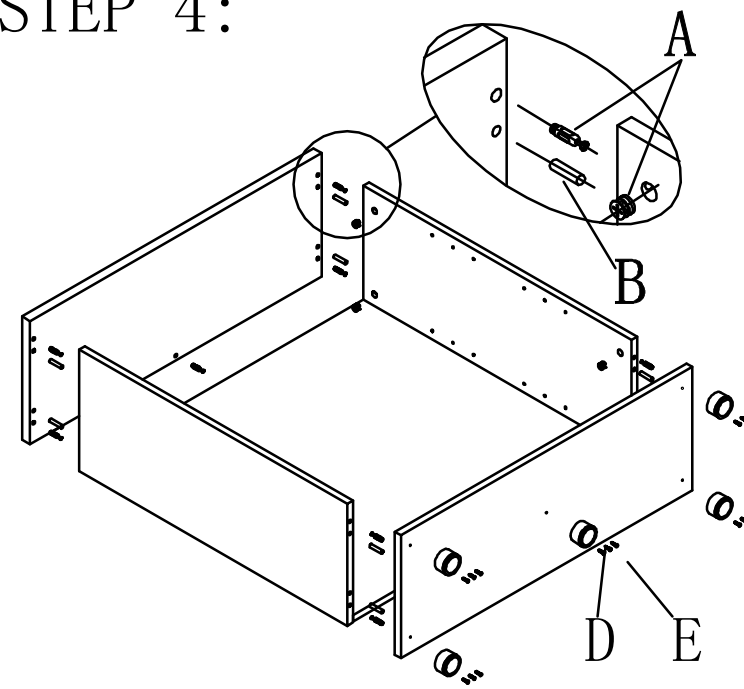
STEP 2:



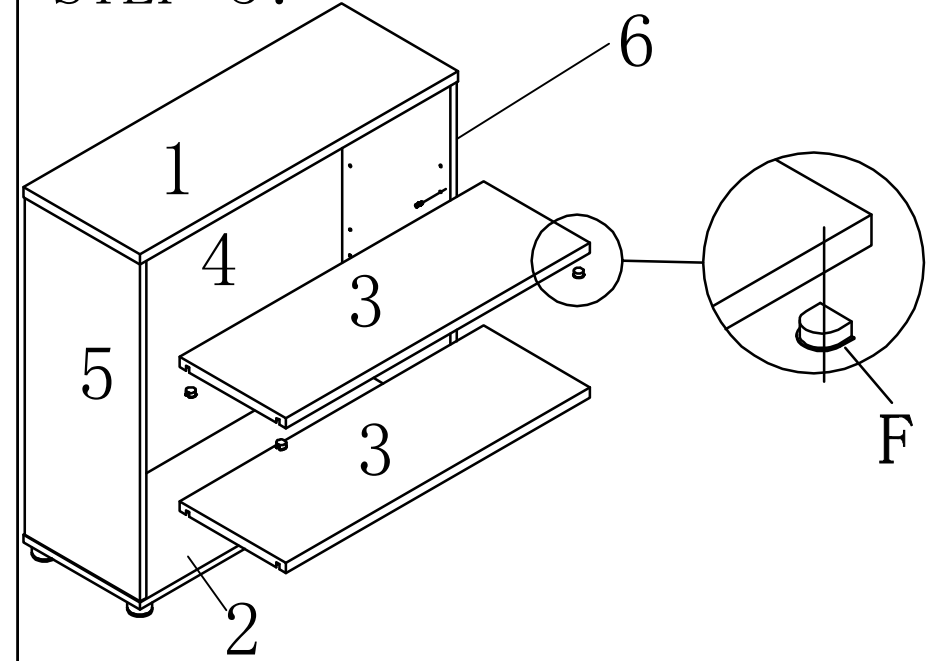
STEP 3:

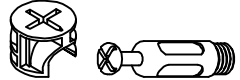


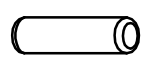
STEP 4:




STEP 5:





A  Pin + cam
X 15pcs


B  Dowel
X 9pcs

C  sticker
X 15pcs

D  cabinet feet
X 5pcs

E  tapping screw
X 16pcs

F  shelf support
X 9pcs

G  Screw Driver
Not supplied