

# ASSEMBLY INSTRUCTIONS:

Product Code : DRIVE-CTB



Product Name: Drive & Radial Back To Back Cable Tray Bridge

## TIME REQUIRED:

45 minutes

## TOOLS REQUIRED:

Screwdriver, Electric Drill, Pencil, Measuring tape/Ruler

\*Tools are not included.

## SKILL REQUIRED:

Easy ●●●●○ Hard

The Assembly Skill Rating is a 5-point system that shows the degree of effort needed in assembling a specific product. With 1 being easy for the average person and 5 requiring an expert. For most products, two persons are recommended.

Please note, as this is a commercial product, some intermediate skills are required.

\*No pre-drill holes or markings are provided on tops.

### NOTE

- As this is a commercial product, some intermediate skills may be required.
  - No pre-drill holes or markings are provided on our table or desk tops.
    - Please check you have all hardware before assembling.
- If you are missing any hardware, please contact your Danny reseller. Please ensure you have the name of the item, required hardware part and quantity.
  - Please retain your receipt as proof of purchase to validate your warranty.
- Assemble on a clean, flat, smooth surface such as a rug or carpet to avoid parts from being scratched.
  - Remove all wrapping materials, including staples and packing straps before you start to assemble
    - Keep all hardware parts out of reach of children.

### CAUTION

- Heavy product. Do not attempt to lift or move without help
- Do not tighten screws and bolts until completely assembled.
- Do not use this product unless all bolts and screws are firmly secured and tightened.

### WARNING

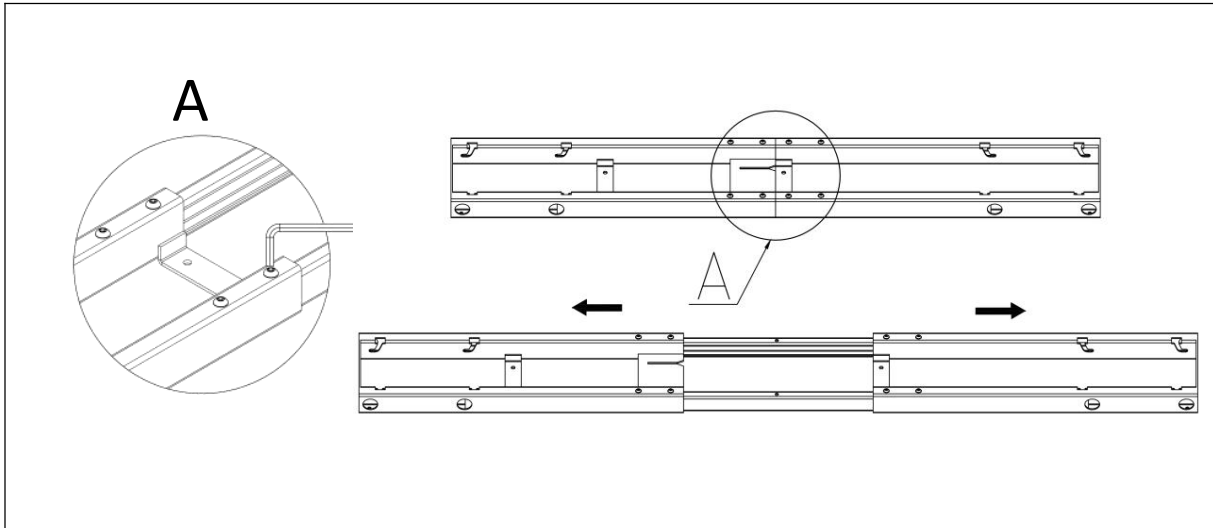
- If parts are missing, broken, damaged or worn stop using the product until all repairs are made.
  - Failure to follow these warnings could result in serious injury.



## Assembly Instructions

### Step 1

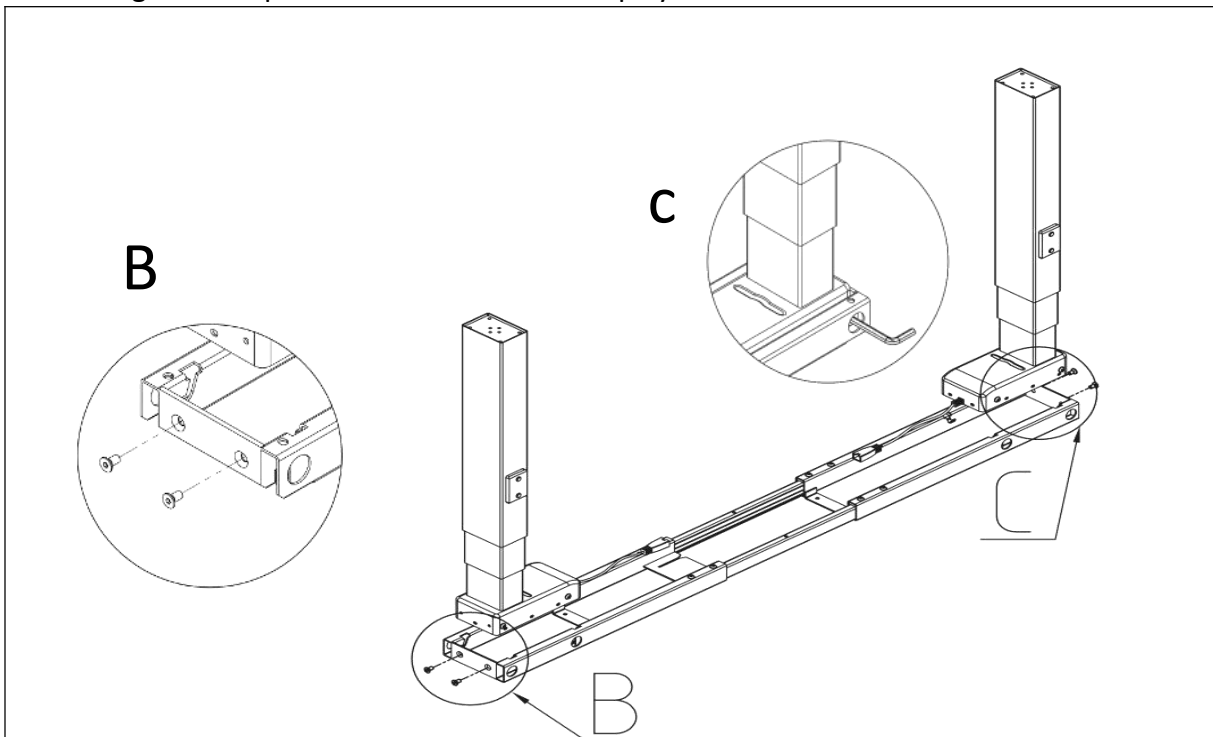
Loosen the pre-installed bolts and Adjust the length of the top frame to match the size of the table top.



### Step 2

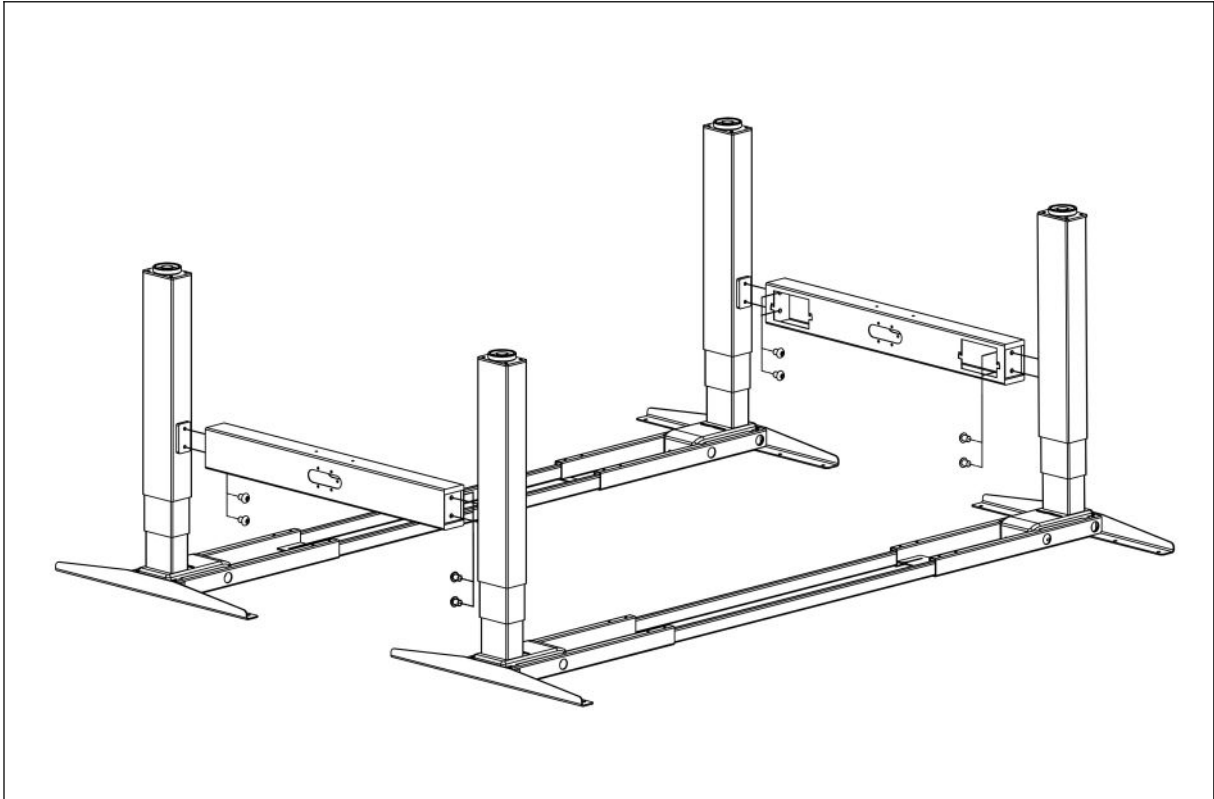
Inset the lifting column to the top frame.

- First fix 2 pcs screws M6x12 like **B** displayed
- And then tighten the pre-installed bolts like **C** displayed



### Step 5

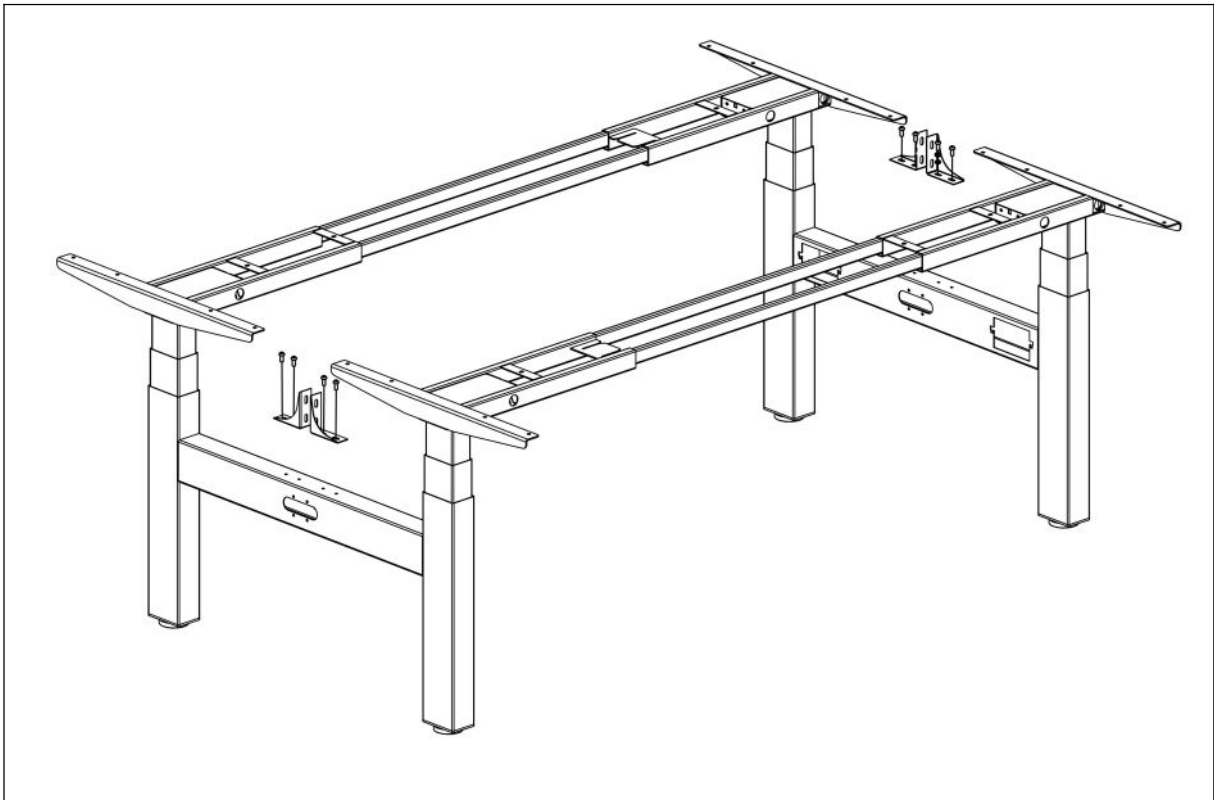
Install the connected pipe with 8 pcs screws M8x10



### Step 6

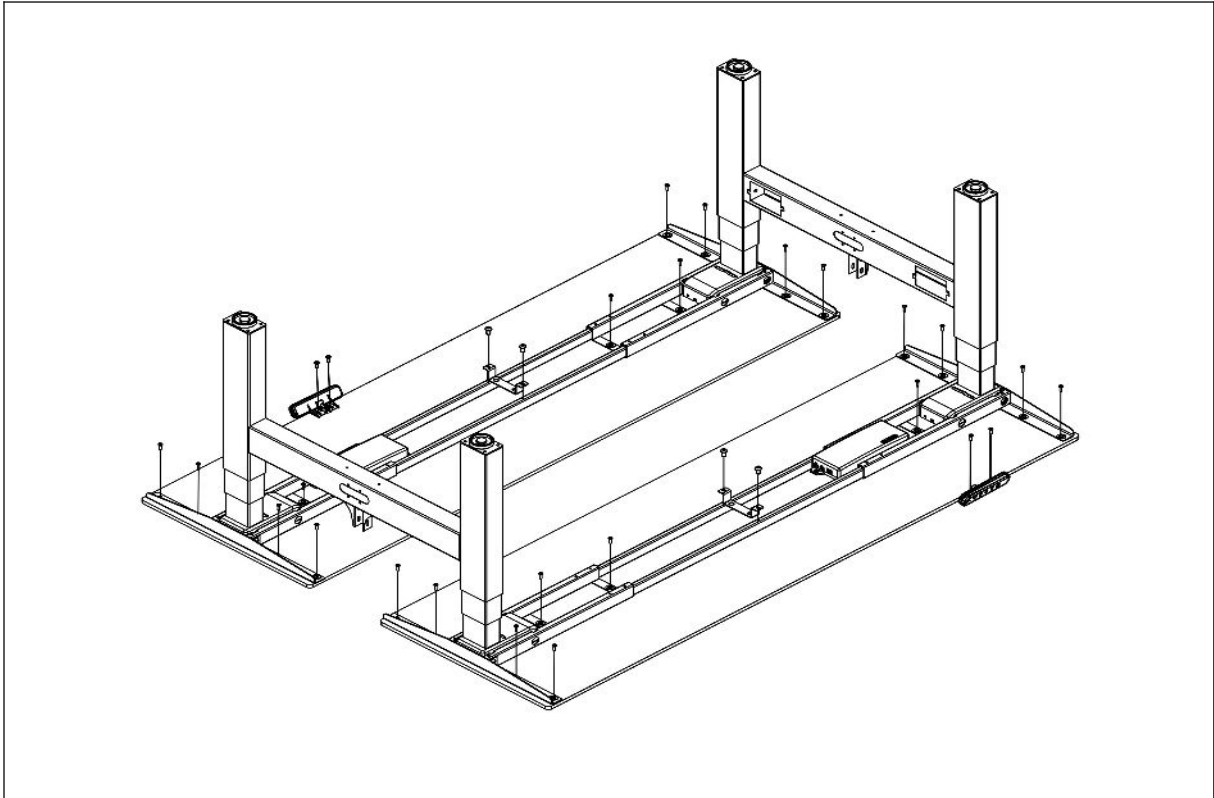
Fix the screen brackets with 8 pcs screws M6x10.

If you have a cable tray, please refer to the page 7 for a cable tray installation before you do the following assembly.



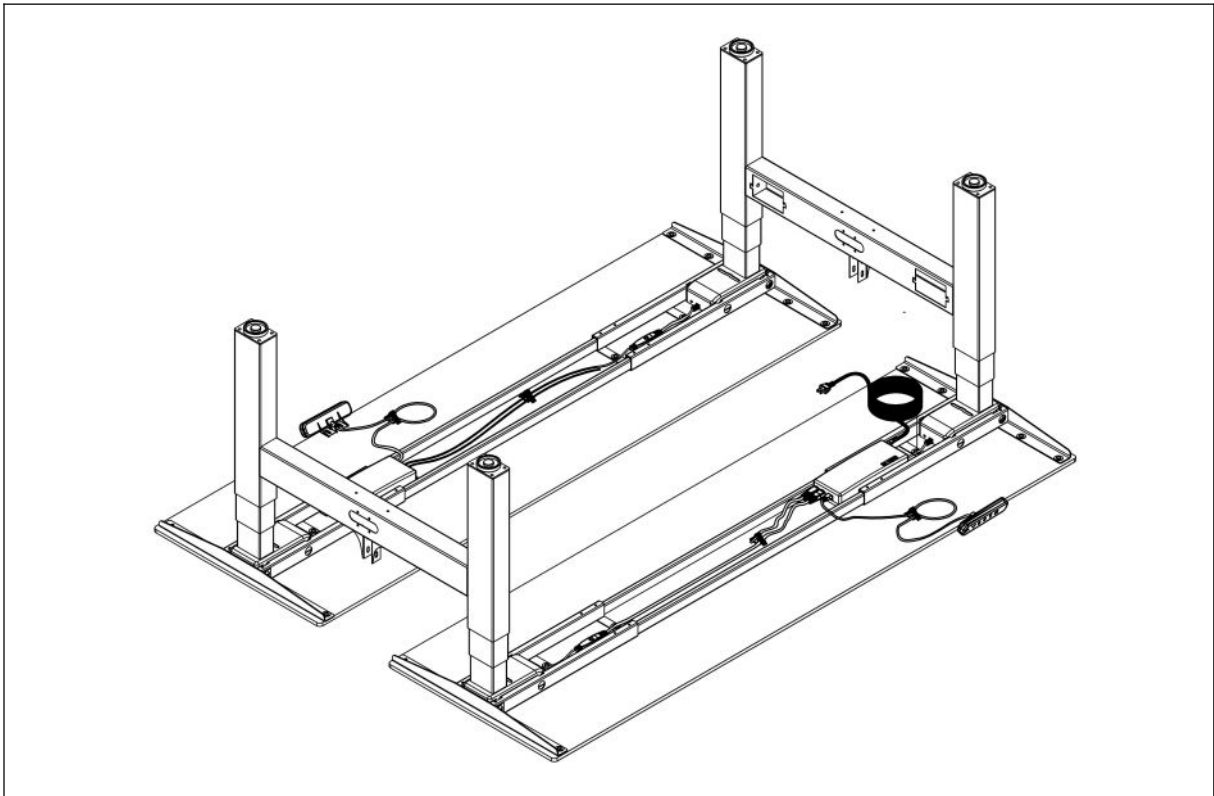
### Step 7

Fix the table top with 21 pcs screws ST4x20 ,Fix the handset with 2 pcs screws with ST4x20  
Install the centre bracket with 2 pcs screws M6x10



### Step 8

Mount the control box to the frame,connected the cables well.  
Zipped the cables with cable tie.



### Cable tray installation

- Fix the cable tray with 8 pcs M6x10 screws to the desk frame.

