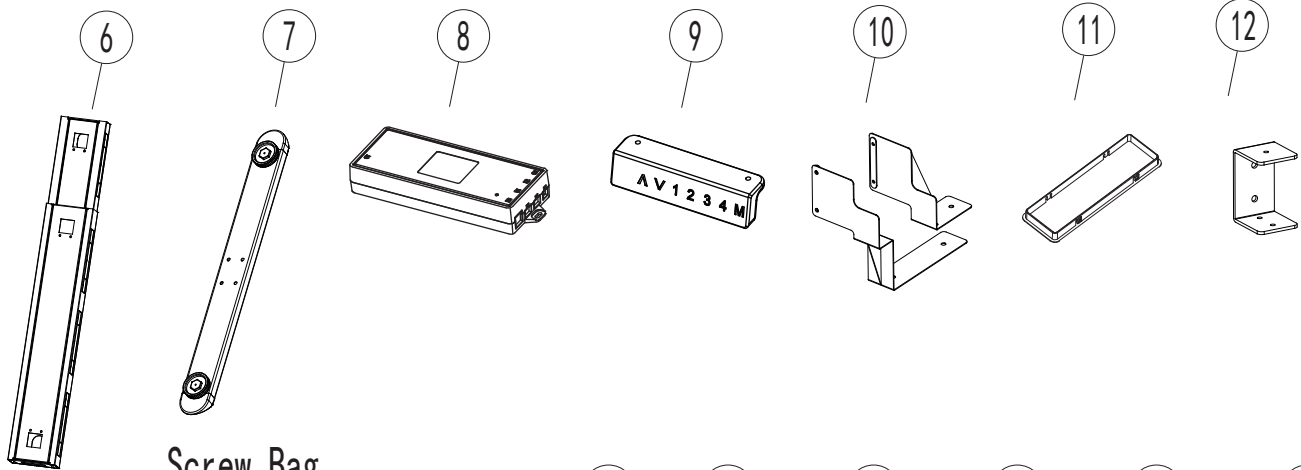
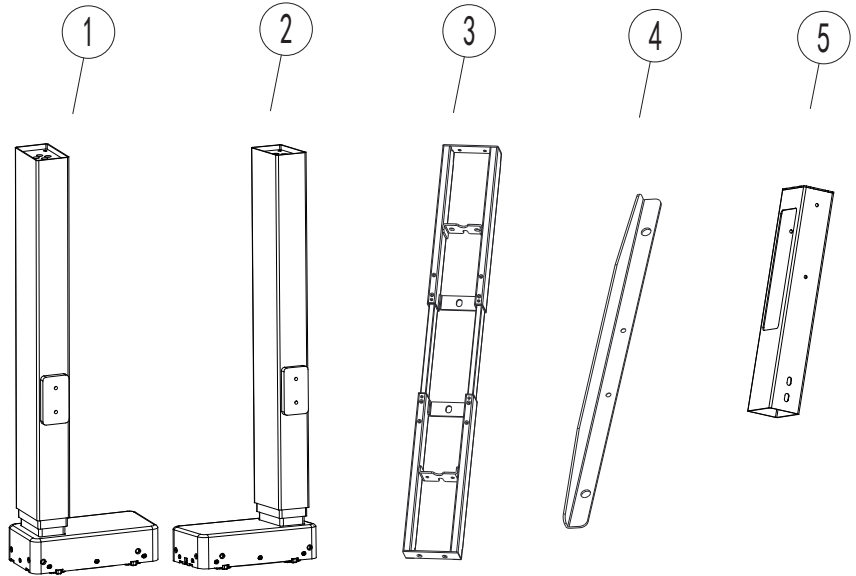


Parts List

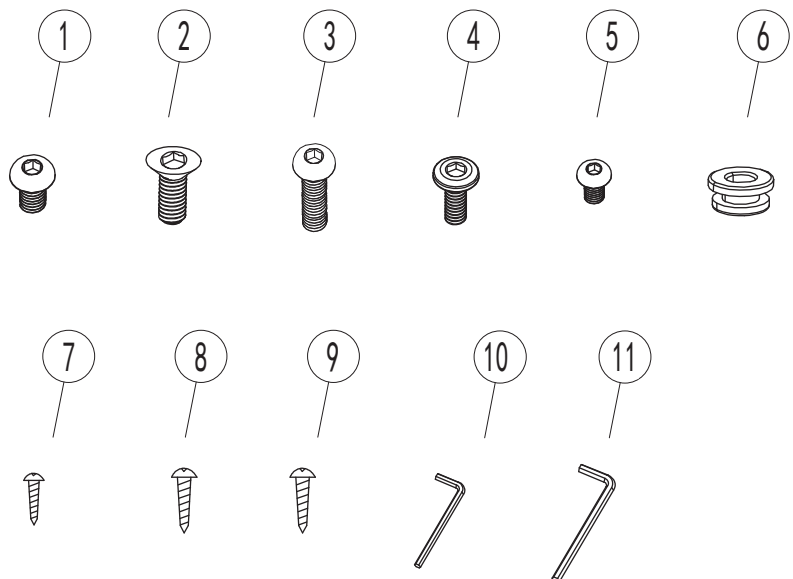
Parts List

No.	Name	Qty
1	Electric Leg (Left)	1
2	Electric Leg (Right)	1
3	Beam	1
4	Bracket	2
5	Connecting Beam	1set
6	Cable Tray	1
7	Feet	2
8	Control Box	1
9	Handset	1
10	Desk Screen Clamp	2set
11	Plastic Cover	2
12	Connecting Beam Connector	2



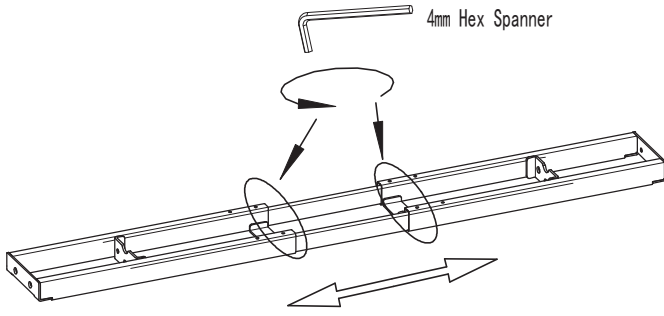
Screw Bag

No.	Name	Qty
1	M6*10 Screw	14
2	M6*12 Screw	12
3	M6*40 Screw	8
4	M6*16 Screw	8
5	M6*8 Screw	10
6	Rubber Cushion	6
7	ST3.5*19 Screw	2
8	ST4.8*19 Screw	2
9	ST4.8*25 Screw	6
10	4mm Hex Spanner	1
11	5mm Hex Spanner	1

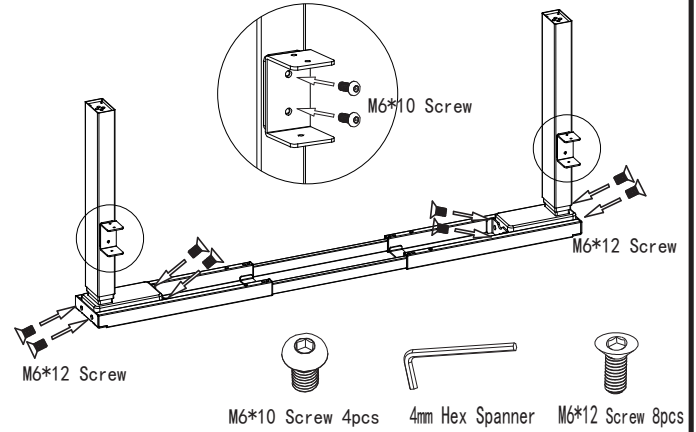


Assembly Instructions

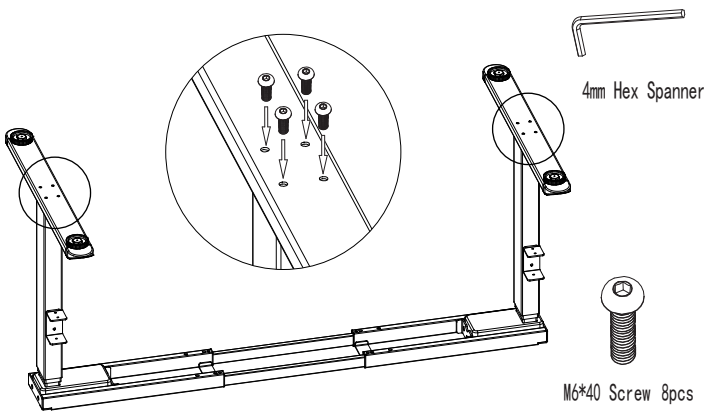
1 Loosen the M6*10 screws on the main beam with 4mm hex spanner.



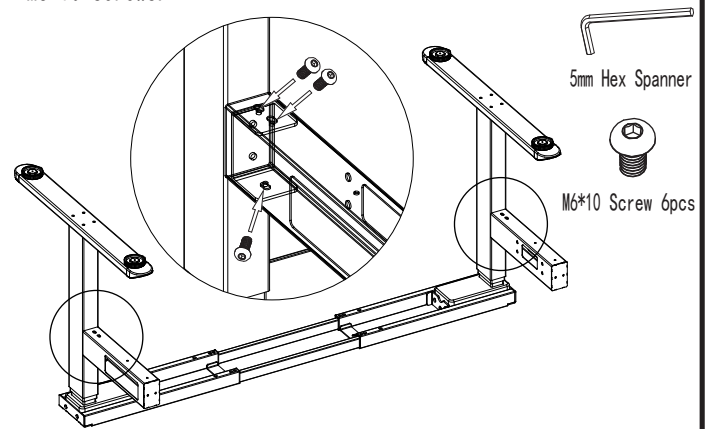
2 Attach the connecting beam connectors to the legs using 4 of M6*10 screws, and attach the electric legs to the main beam using 8 of M6*12 screws.



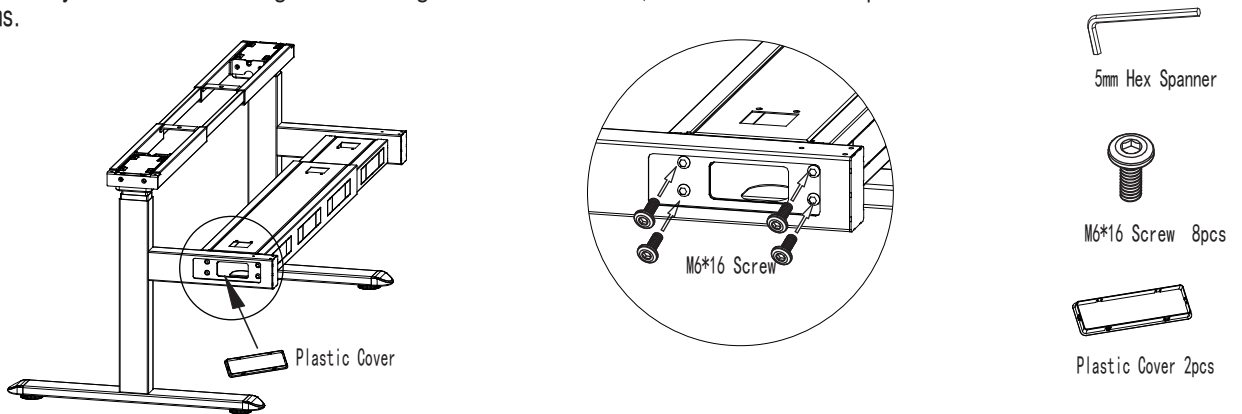
3 Attach the feet to the electric legs using 8 of M6*40 screws.



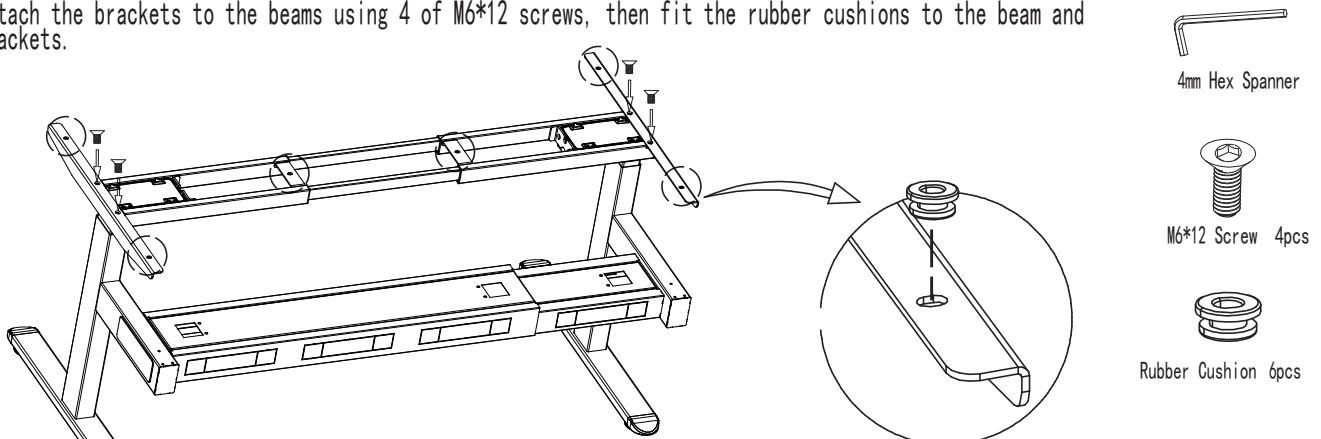
4 Attach the connecting beams to the electric legs using 6 of M6*10 screws.



5 Attach the cable tray to the connecting beams using 8 of M6*16 screws, then install the plastic covers to the connecting beams.

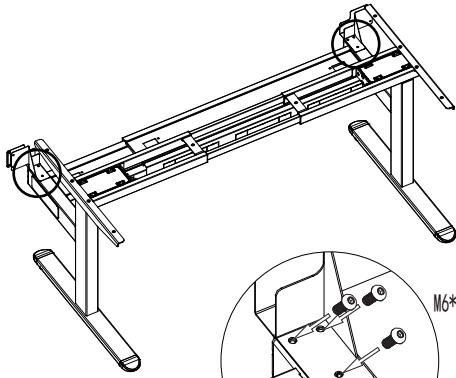


6 Attach the brackets to the beams using 4 of M6*12 screws, then fit the rubber cushions to the beam and brackets.

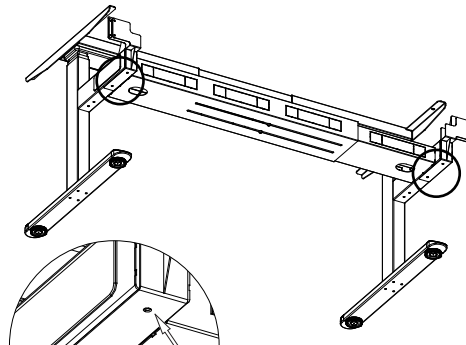


Assembly Instructions

7 Attach the screen clamps to the connecting beam using 10 of M6*8 screws.



M6*8 Screw



M6*8 Screw

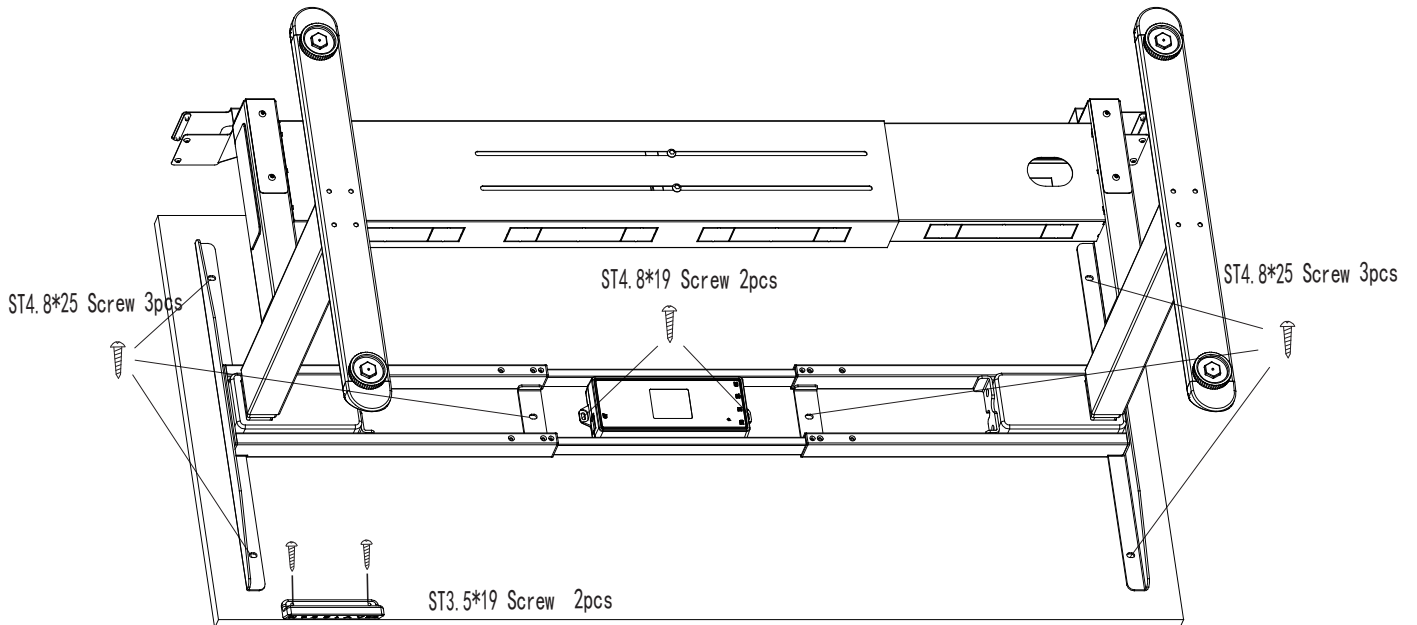


4mm Hex Spanner



M6*8 Screw 10pcs

8 Attach the desk frame to below desktop using 6 of ST4.8*25 screws, then attach the control box to below desktop using 2 of ST4.8*19 screws, at last attach the handset to below desktop using 2 of ST3.5*19 screws. (Secure the beam using M6*10 screws from the screw pack along with the screws on the beam.)

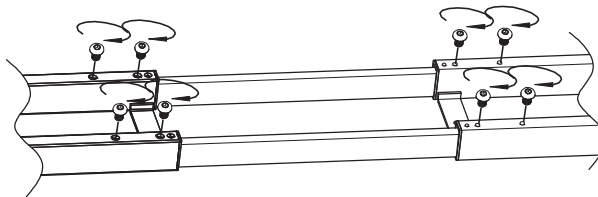


ST4.8*25 Screw 3pcs

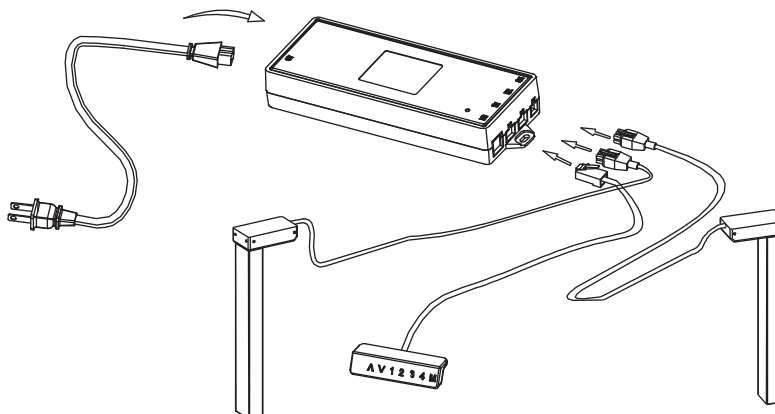
ST4.8*19 Screw 2pcs

ST4.8*25 Screw 3pcs

ST3.5*19 Screw 2pcs



9 Connect the electric leg cables, handset cable, and power cord to the control box.



AV1234M