

| | | |
|---|--|--------------------------|
| A | | Pin + cam X 63pcs |
| E | | tapping screw X 25pcs |

| | | |
|---|--|----------------------|
| B | | Dowel X 15pcs |
| F | | push latch X 1pcs |

| | | |
|---|--|--------------------|
| C | | sticker X 51pcs |
| G | | gas lift X 2pcs |

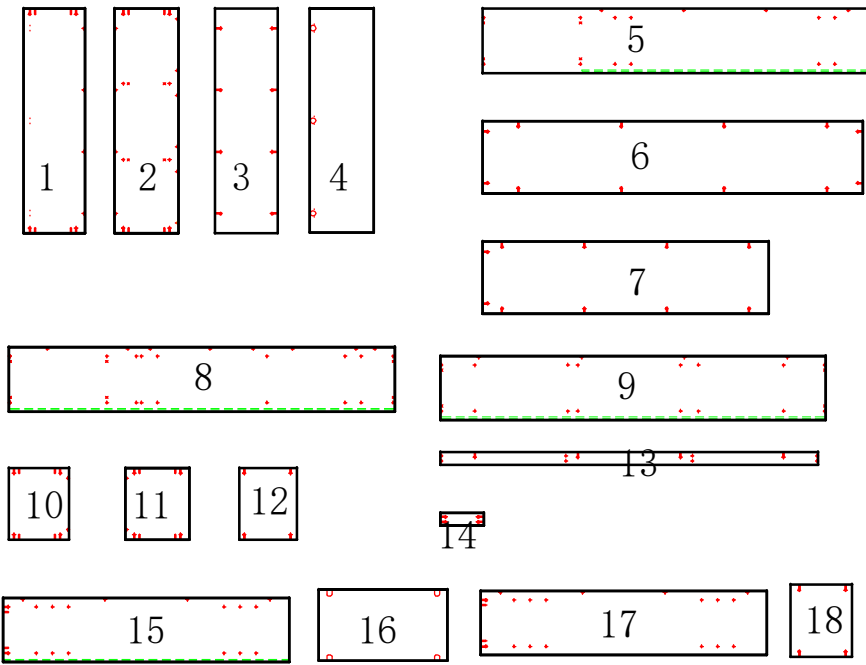
| | | |
|---|--|------------------------------|
| D | | hinges X 2pcs |
| H | | Screw Driver Not supplied |

Product Name: Hamilton Grand Wall Unit (2-2)

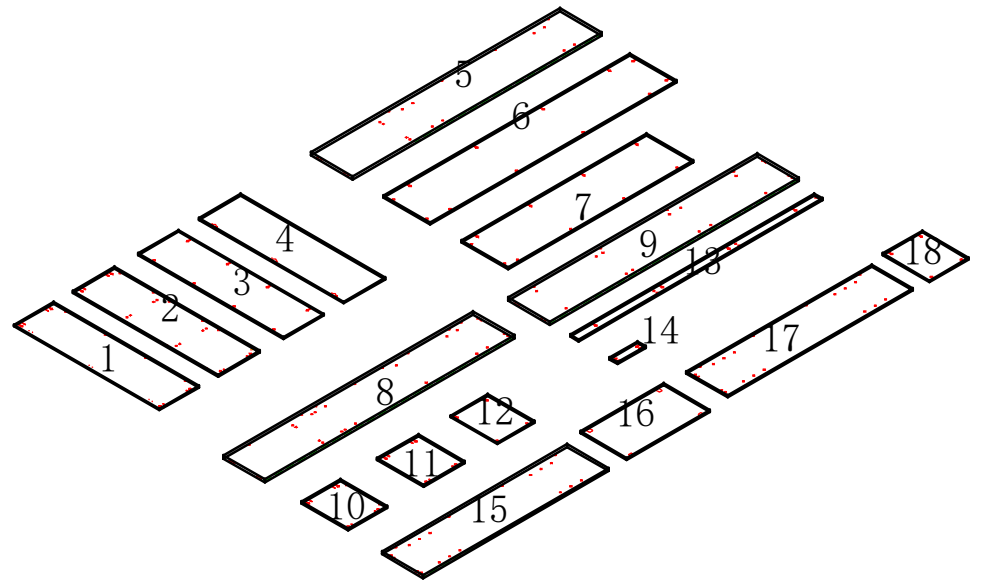
Product Code: HAM-WU24



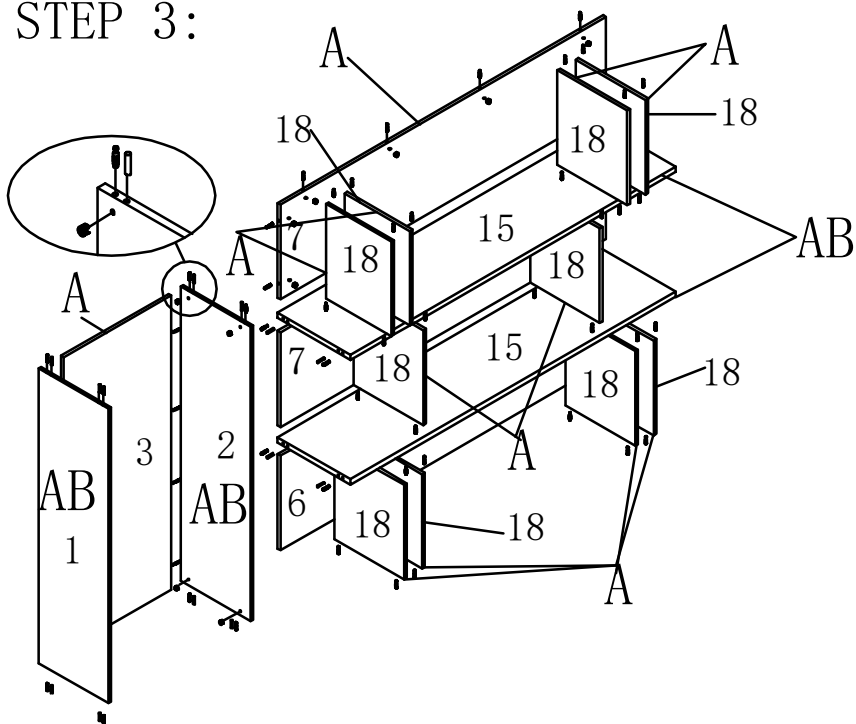
STEP 1:



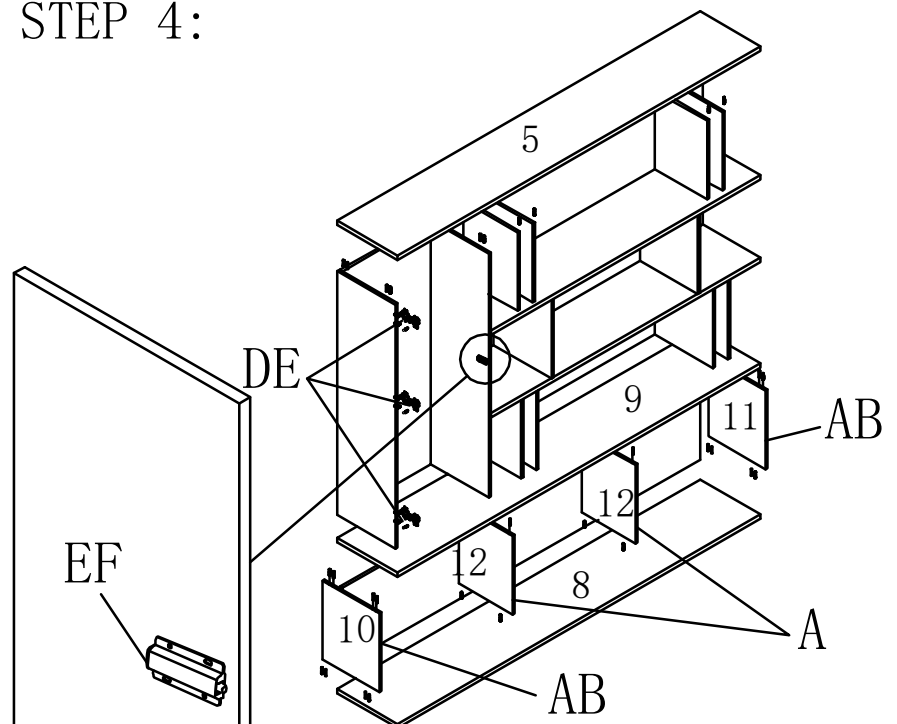
STEP 2:



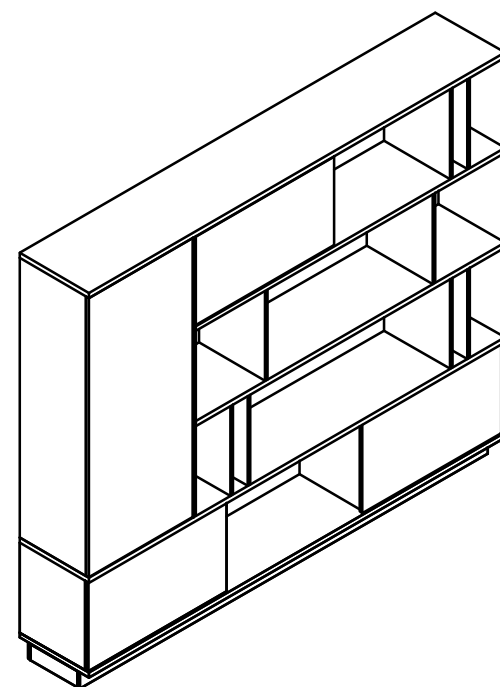
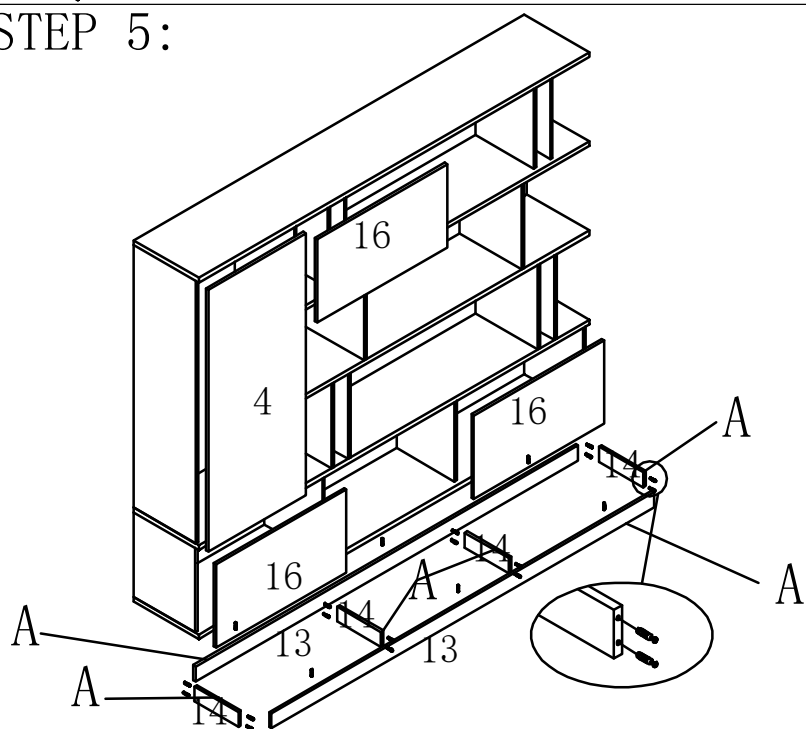
STEP 3:




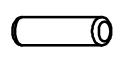
STEP 4:



STEP 5:



A  Pin + cam X 143pcs

B  Dowel X 21pcs

C  sticker X 119pcs

D  hinges X 3pcs

E  tapping screw 4*16X 26pcs 4*30X 6pcs

F  push latch X 1pcs

G  Screw Driver Not supplied

