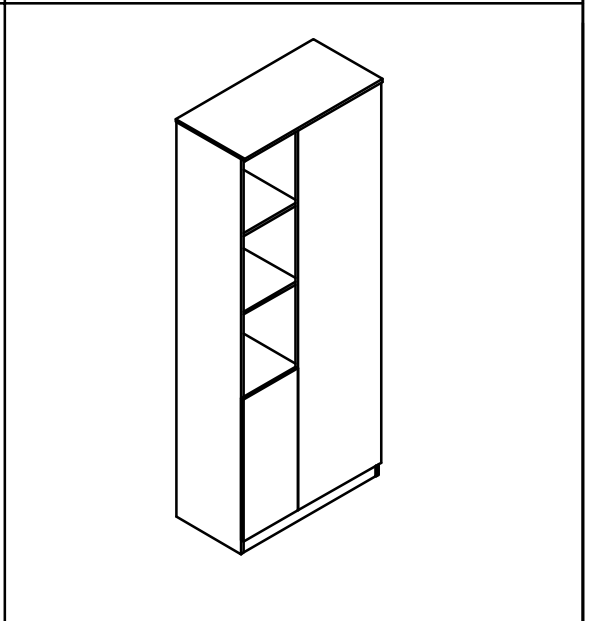
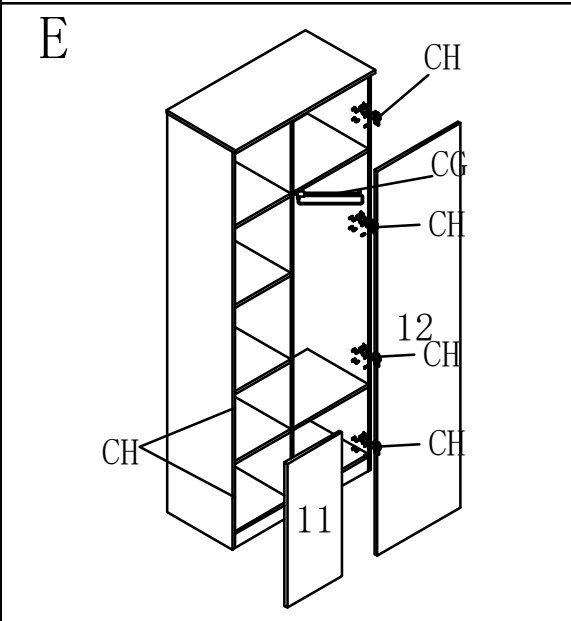
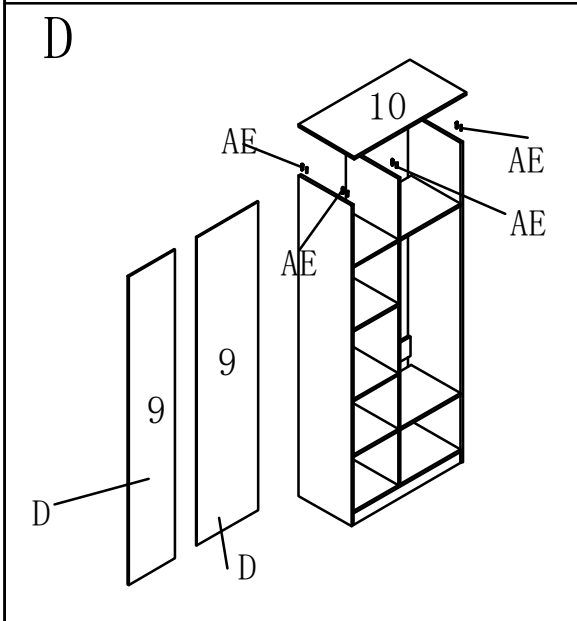
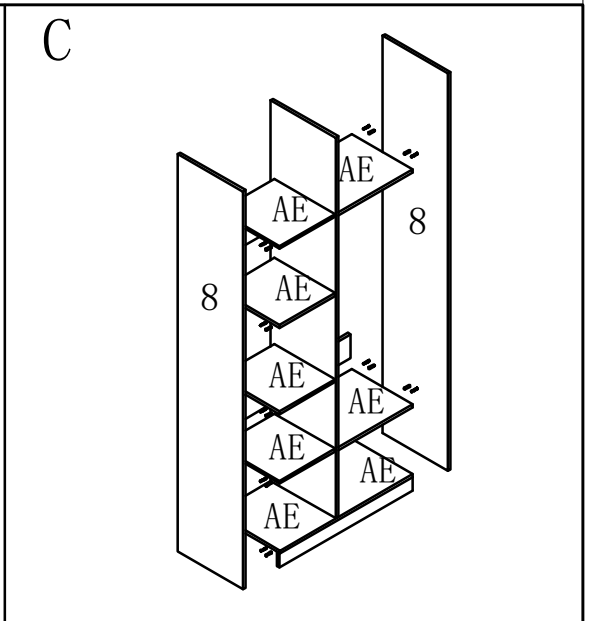
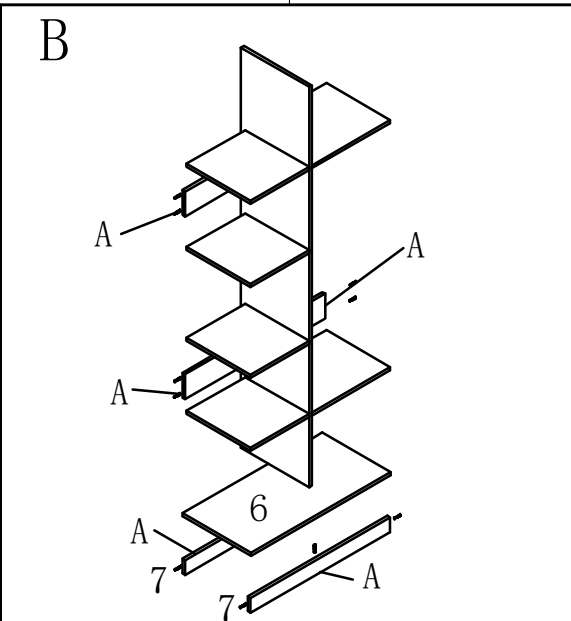
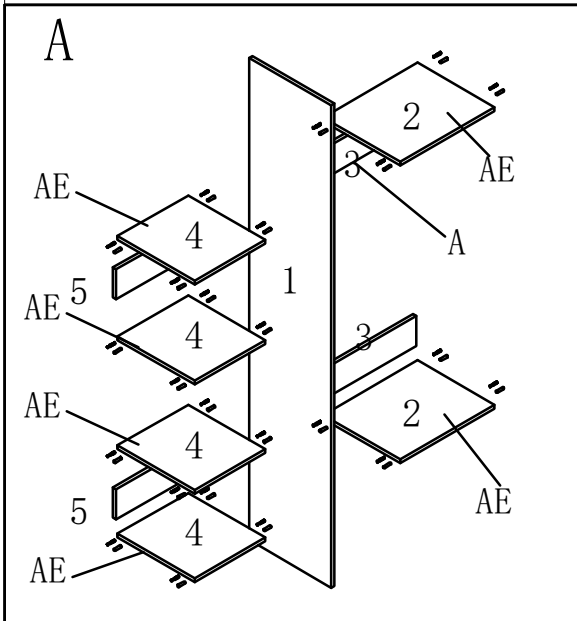
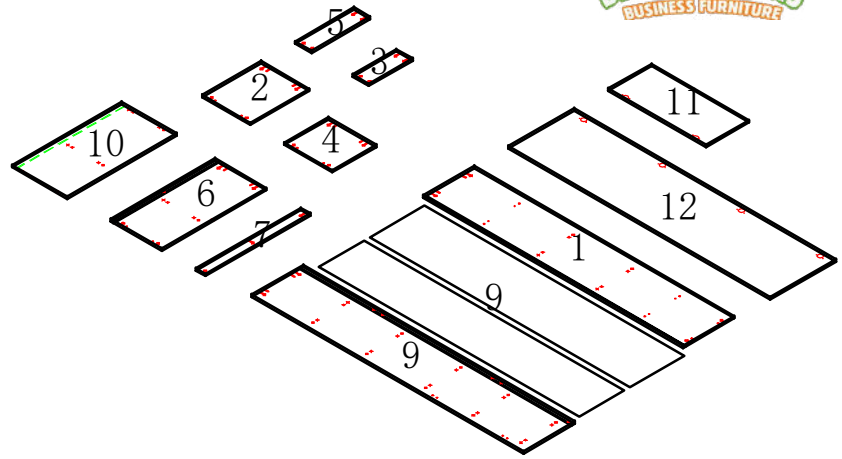
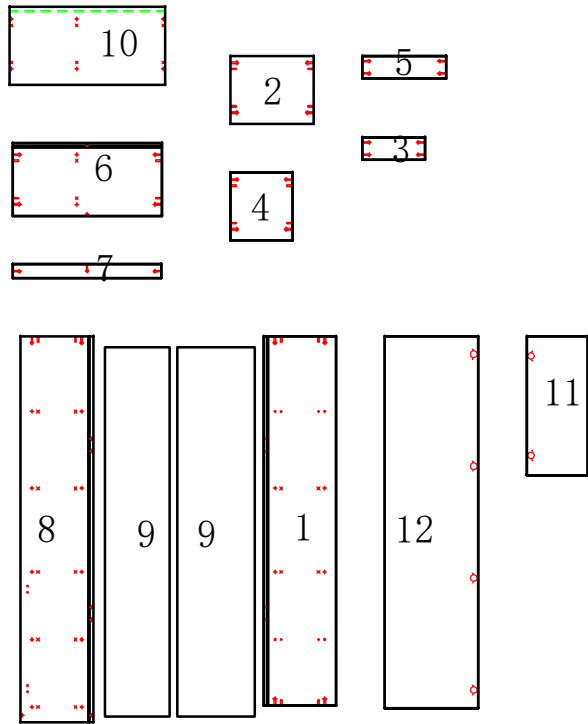
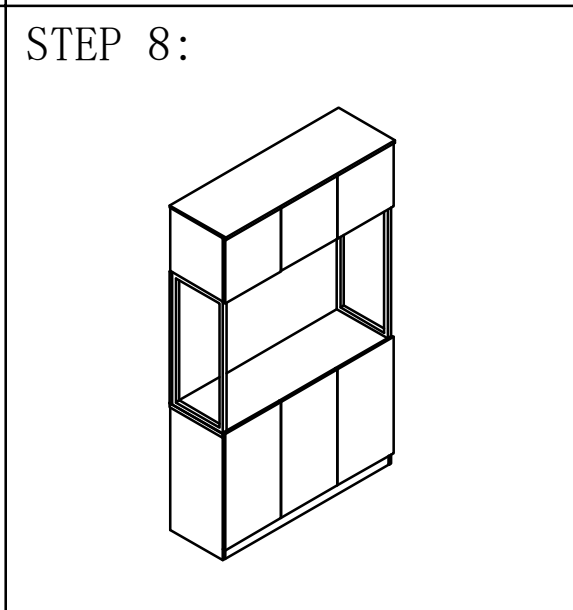
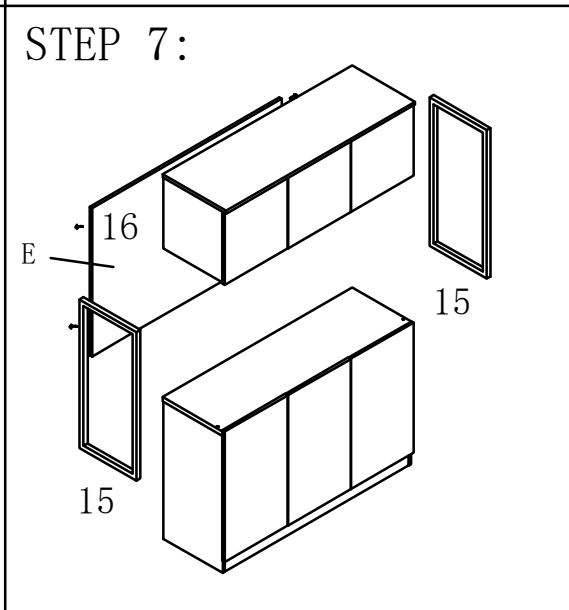
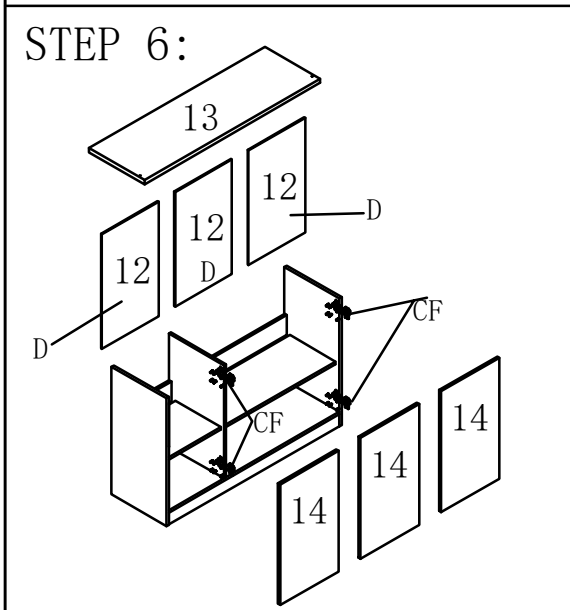
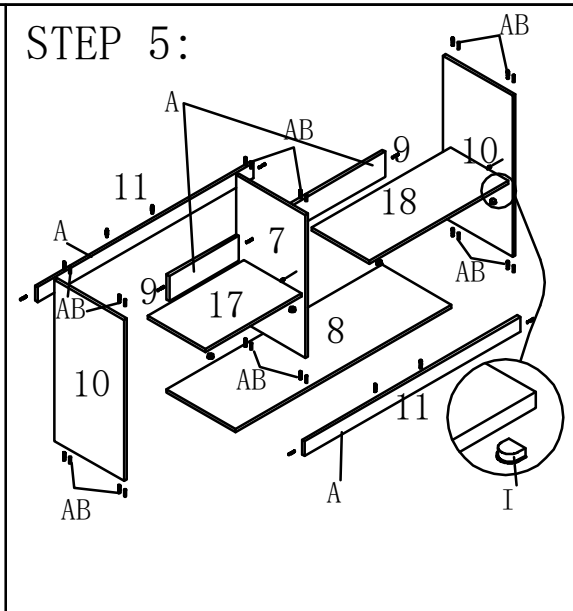
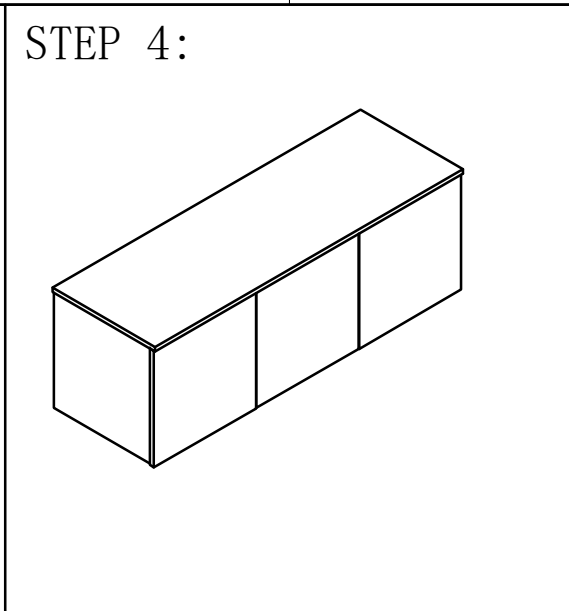
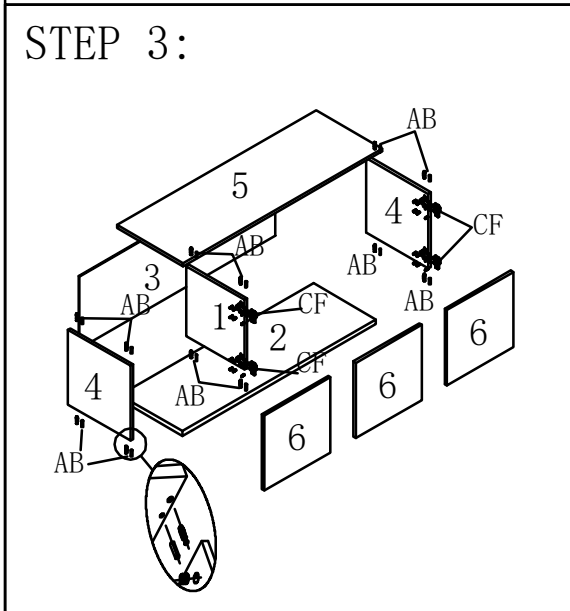
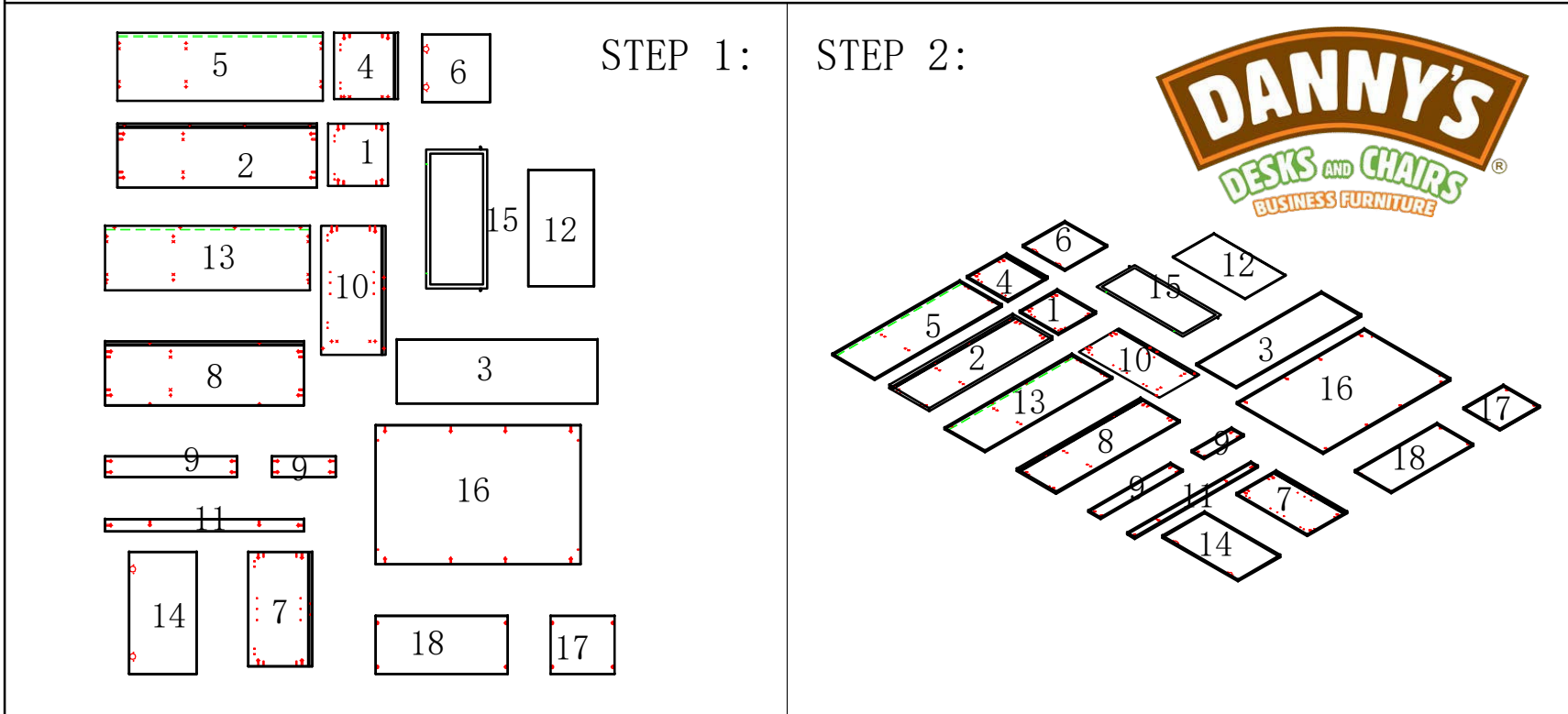


KL-501



NO.	Diagram	Spec	QTY	NO.	Diagram	Spec	QTY
A	pin+cam	∅6*40	58	E	Dowel	∅8*40	32
B	shelf support	∅20	13	H	hinges		6
C	tapping screw	∅3.5*20	12	G	Clothes rail		1
		∅4*16	40				
D	Backplane reinforcement		12	H	Allen Key		1
						screw driver	Not Supplied

KL-502



NO.	Diagram	Spec	QTY		NO.	Diagram	Spec	QTY
A		φ6*40	48		E		M6*30	4
B		φ8*40	24		F			12
C		φ3.5*20	20		G		L=670	1
		φ4*16	72		H			1
D			20		I		φ20	9
								Not Supplied