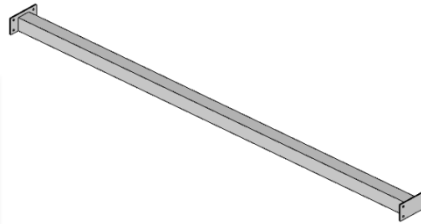
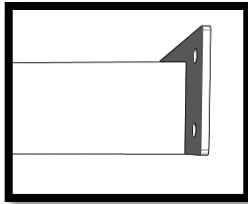


Apex/Apex Loop
Straight Desk
1200L/1500L/1800L
Assembly instructions

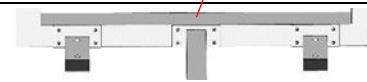
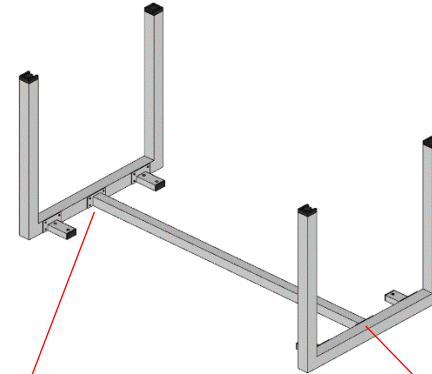
1



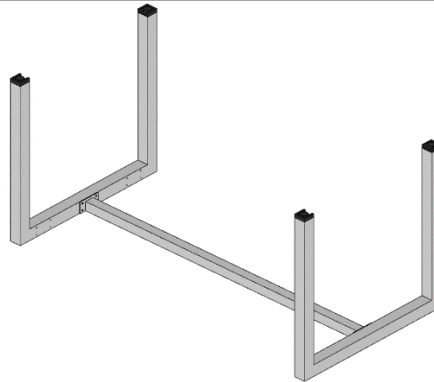
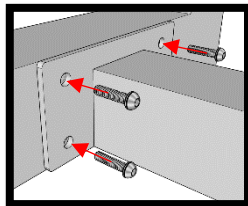
Place beam flat against ground.

3

Fasten tabs to legs using M4 bolts

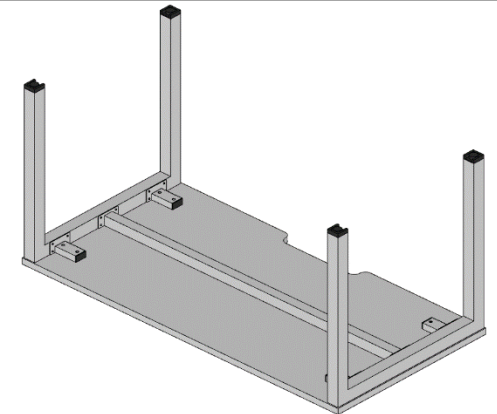
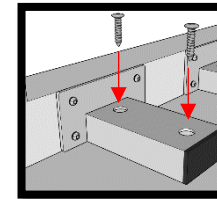


2



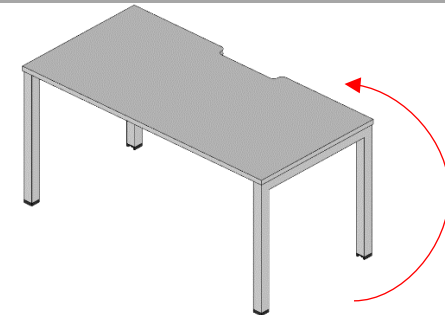
Fasten legs to beam using M4 bolts

4



Fasten frame to desktop using self-tapping screws

5



Flip