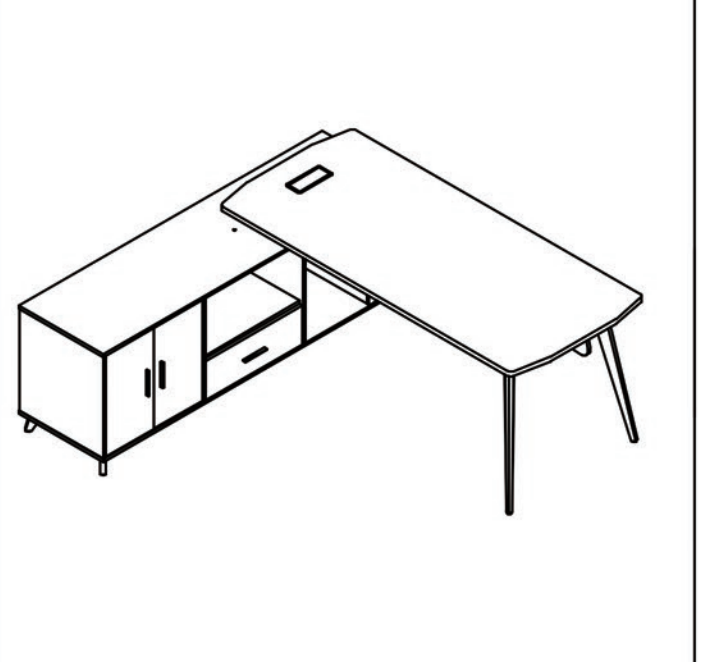
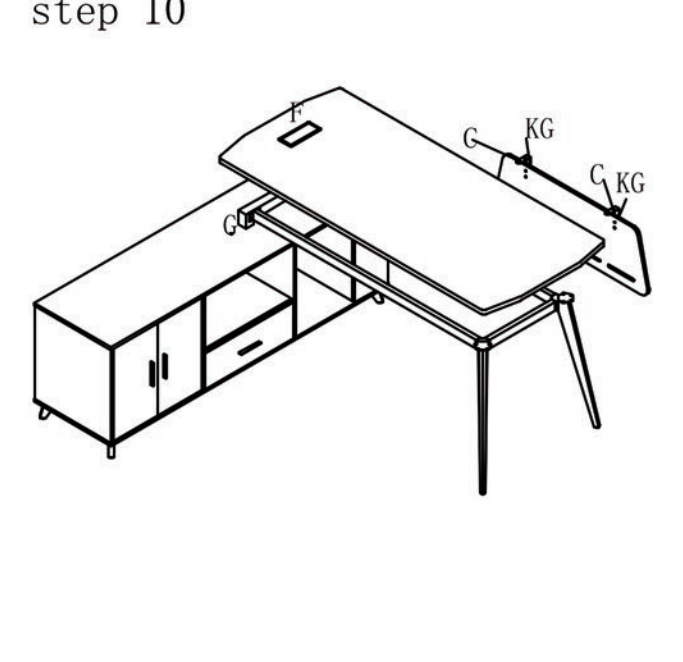
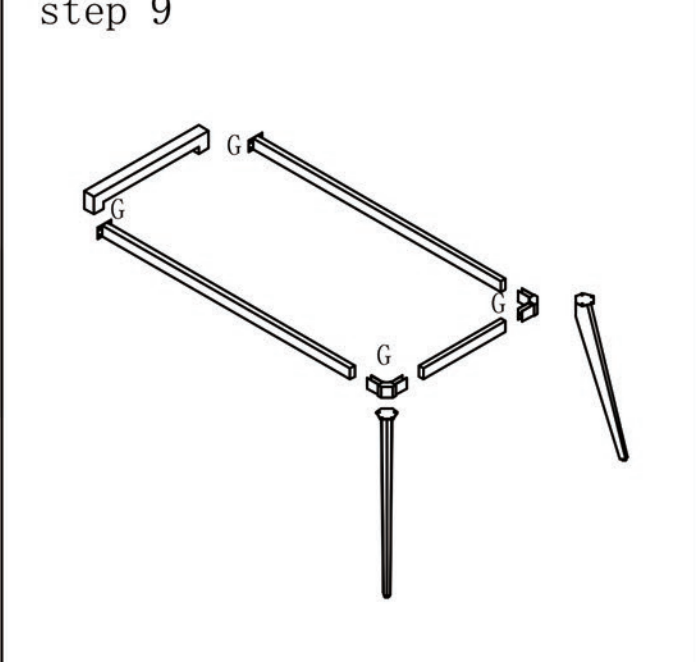
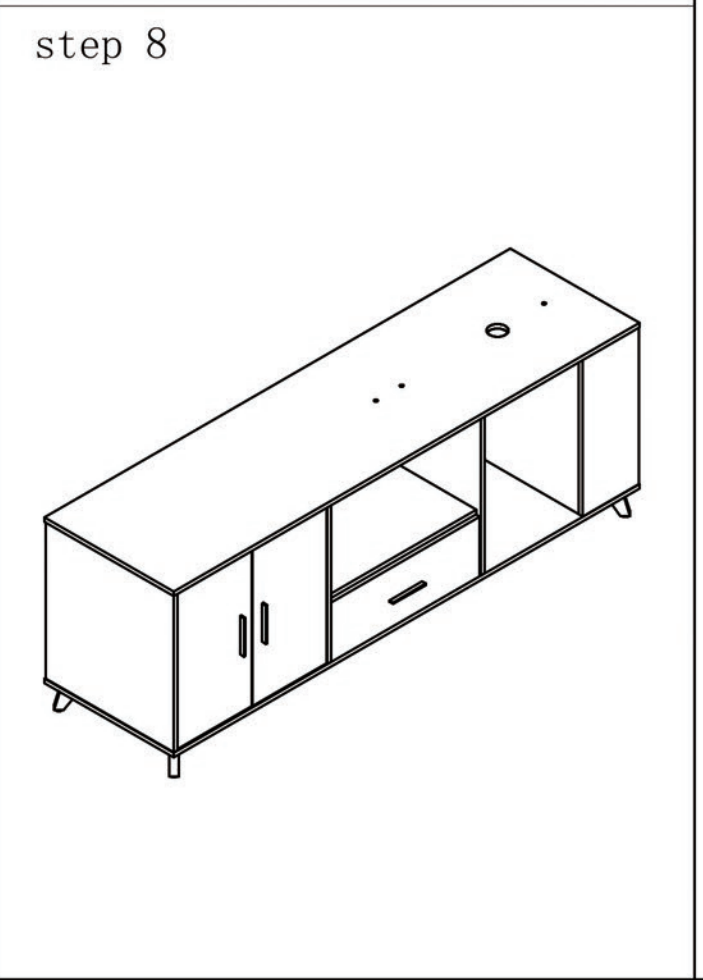
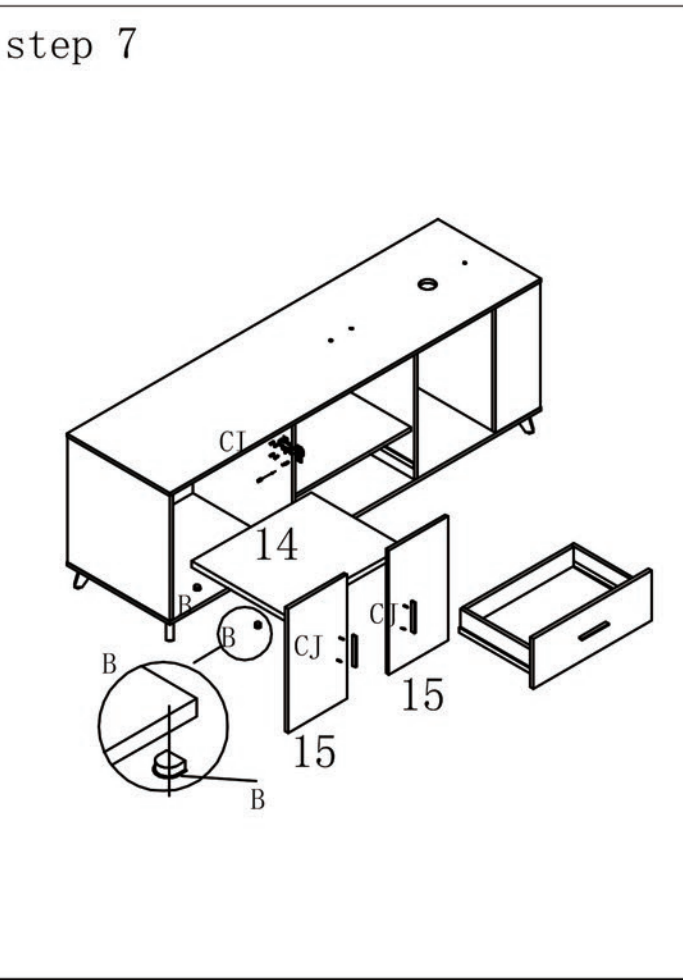
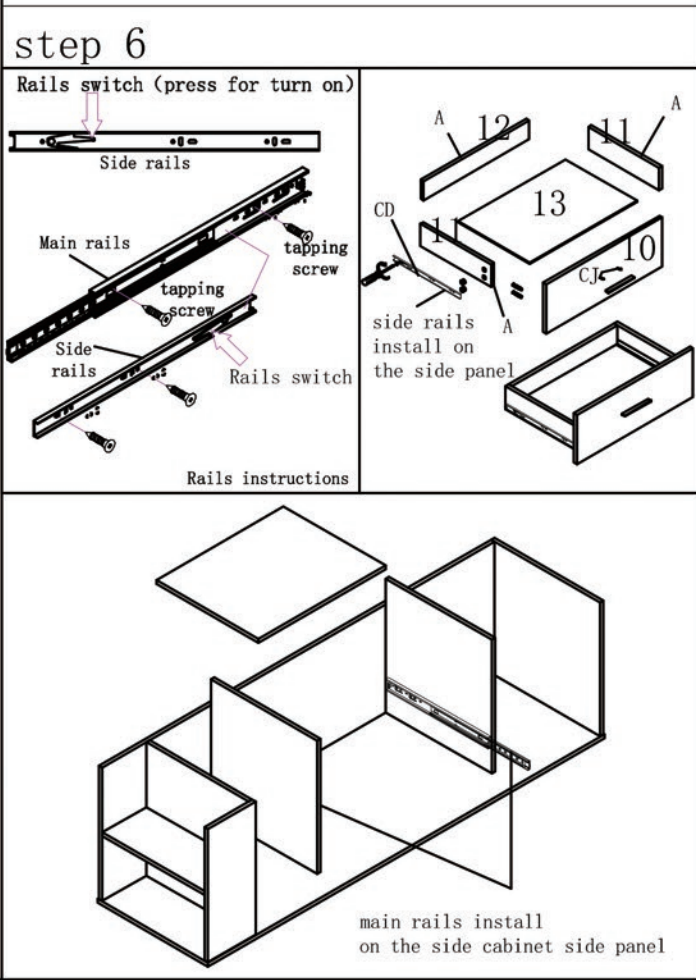
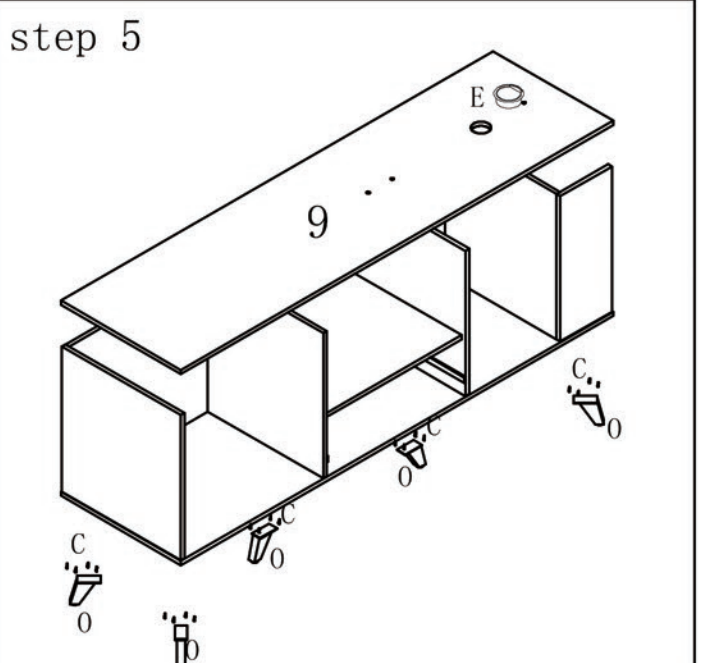
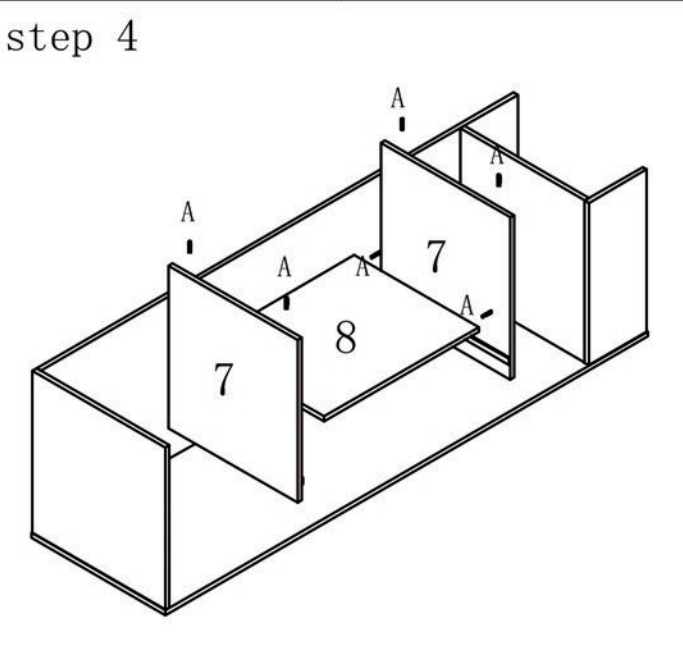
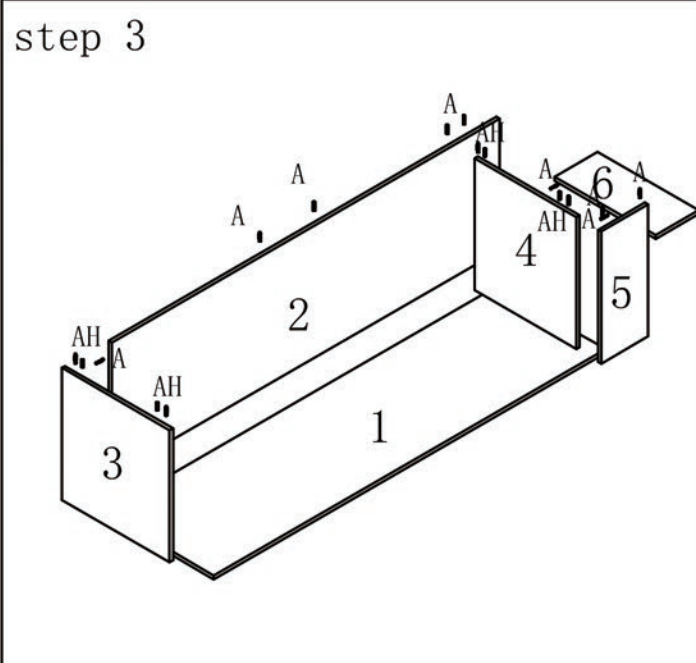
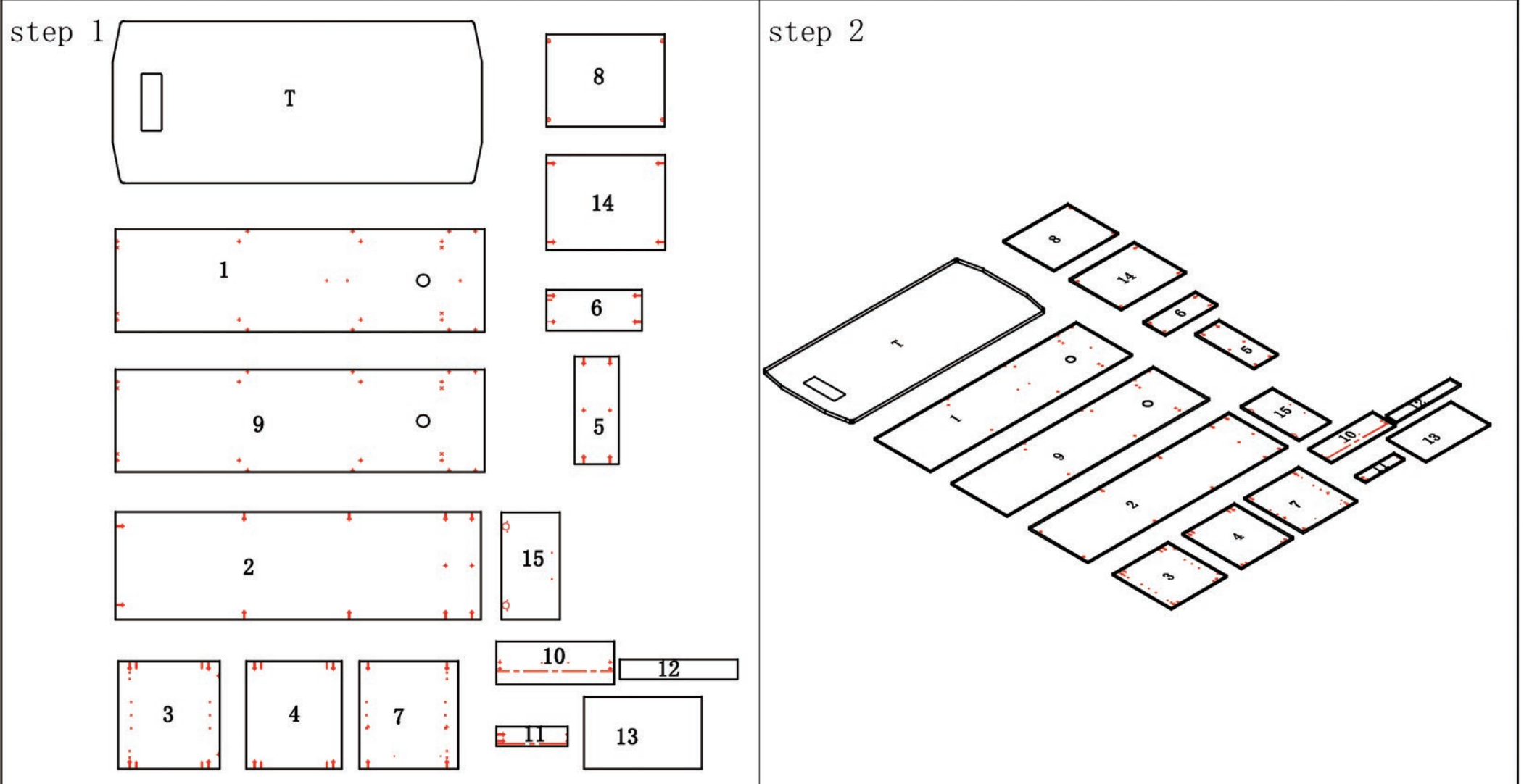


KL-101



NO.	Diagram	Spec	QTY	NO.	Diagram	Spec	QTY
A		∅6*40	42	H		∅8*40	8
B		∅20	13	I			2
C		∅3.5*14	15	J		M4*18	6
		∅3.5*30	4			M6*16	4
		∅4*16	48			M8*40	1
		∅4*20	9				
∅5*25	4						
D		14"	1	K			
E			2	O		H90	6
F			1	P			1
G		L=120mm	2				Not Supplied