

ASSEMBLY INSTRUCTIONS:

Product Code : MOTION

Product Name : Motion Reception Counter



TIME REQUIRED:

45 minutes

TOOLS REQUIRED:

Screwdriver, Electric Drill, Pencil, Measuring tape/Ruler *Tools are not included.

SKILL REQUIRED:

Easy ●●●●● Hard

The Assembly Skill Rating is a 5-point system that shows the degree of effort needed in assembling a specific product. With 1 being easy for the average person and 5 requiring an expert. For most products, two persons are recommended.

Please note, as this is a commercial product, some intermediate skills are required.

*No pre-drill holes or markings are provided on tops.

NOTE

- As this is a commercial product, some intermediate skills may be required.
 - No pre-drill holes or markings are provided on our table or desk tops.
 - Please check you have all hardware before assembling.
- If you are missing any hardware, please contact your Danny reseller. Please ensure you have the name of the item, required hardware part and quantity.
 - Please retain your receipt as proof of purchase to validate your warranty.
- Assemble on a clean, flat, smooth surface such as a rug or carpet to avoid parts from being scratched.
 - Remove all wrapping materials, including staples and packing straps before you start to assemble
 - Keep all hardware parts out of reach of children.

CAUTION

- Heavy product. Do not attempt to lift or move without help
- Do not tighten screws and bolts until completely assembled.
- Do not use this product unless all bolts and screws are firmly secured and tightened.

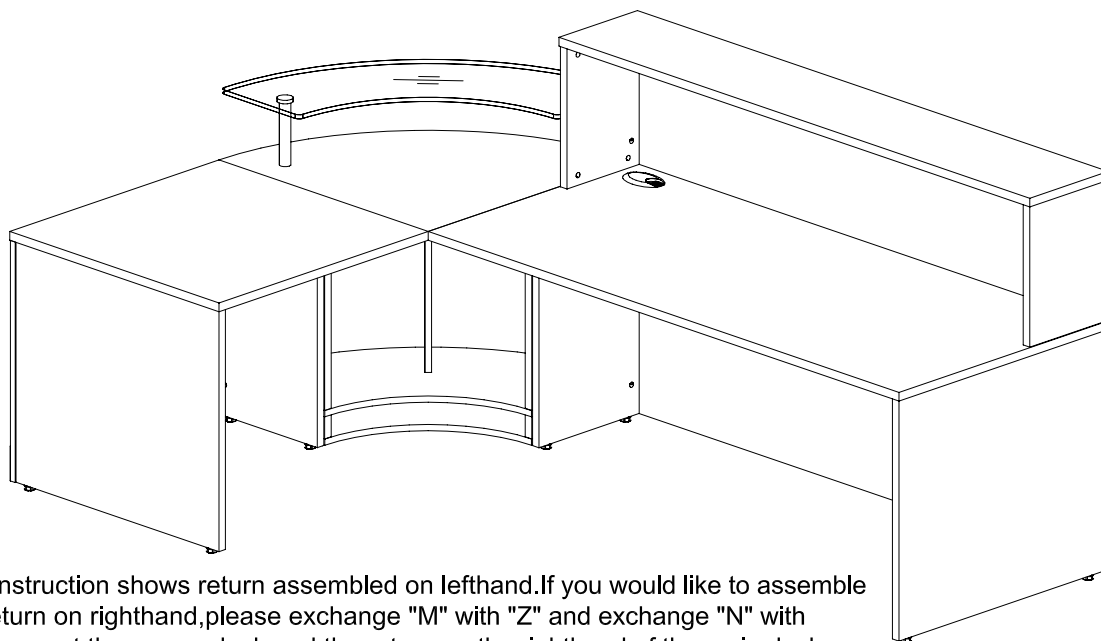
WARNING

- If parts are missing, broken, damaged or worn stop using the product until all repairs are made.
 - Failure to follow these warnings could result in serious injury.



ASSEMBLY INSTRUCTIONS

MOTION



| | | | | |
|-------------------|----------|--|---|-------|
| pin | 6×35 | | 1 | 48PCS |
| CAM | | | 2 | 48PCS |
| Cam Cover | | | 3 | 48PCS |
| ADJ.FEET | φ30×13H | | 4 | 12PCS |
| CONNECTOR | 200×60 | | 5 | 2PCS |
| Screw | 6×12 | | 6 | 16PCS |
| glass top support | φ30×183H | | 7 | 2PCS |
| Bracket | | | 8 | 4PCS |
| Screw | 3.5×13 | | 9 | 4PCS |
| | | | | |

